



## fan data

7/23/2023

version FANselect V 1.01 (230327), AMCA V 1.03 September, 2021&lt;br&gt;RLT V 1.00 Dezember, 2021 / 1.23.03.27 | 40932 | (user ZAFS30932)



type	FN080-SDS.6N.V7
article no.	138757   Portfolio STD-WW

## technical data

motor		AC
mains supply	-	3~ 400V 50Hz Y
nominal current ( $I_N$ )	A	2.20
ambient temperature, max. limit ( $t_a$ )	°C	65
efficiency grade $\eta_{statA}$	%	36,8
efficiency grade $N_{actual}$   $N_{target}$		41,5   40
ErP-conformity		2015
grille   influence		pressure side   measured

## fan data

<b>SFP-class</b>   SFP-value ( $P_{SFP}$ )	-   $Ws/m^3$	1   341
airflow volume ( $q_v$ )	$m^3/h$	12332
pressure, <b>stat.</b> ( $p_{sF}$ )   tot. ( $p_F$ )	Pa	76   103
electrical power input ( $P_1$ )	W	1167
efficiency grade, <b>stat.</b> ( $\eta_{sF}$ )   tot. ( $\eta_F$ )	%	22.3   30.2
fan speed ( $n$ )   max. ( $n_{max}$ )	1/min	705   -
frequency ( $f_{DP}$ )   ( $f_{max}$ )	Hz	50   50
voltage ( $U_{DP}$ )	V	400
current ( $I_{DP}$ )	A	2.18
acoustics, suction side ( $L_{w(A),5}$ )   ( $L_{w,5}$ )	dB	70   75
acoustics, pressure side ( $L_{w(A),6}$ )   ( $L_{w,6}$ )	dB	72   76
dimensions (w x h x d)	mm	866 x 866 x 271
product weight ( $m_{pr}$ )	kg	36.5

PF:PF\_50; Ano:138757; STol:±100 %



performance curve / acoustics

7/23/2023

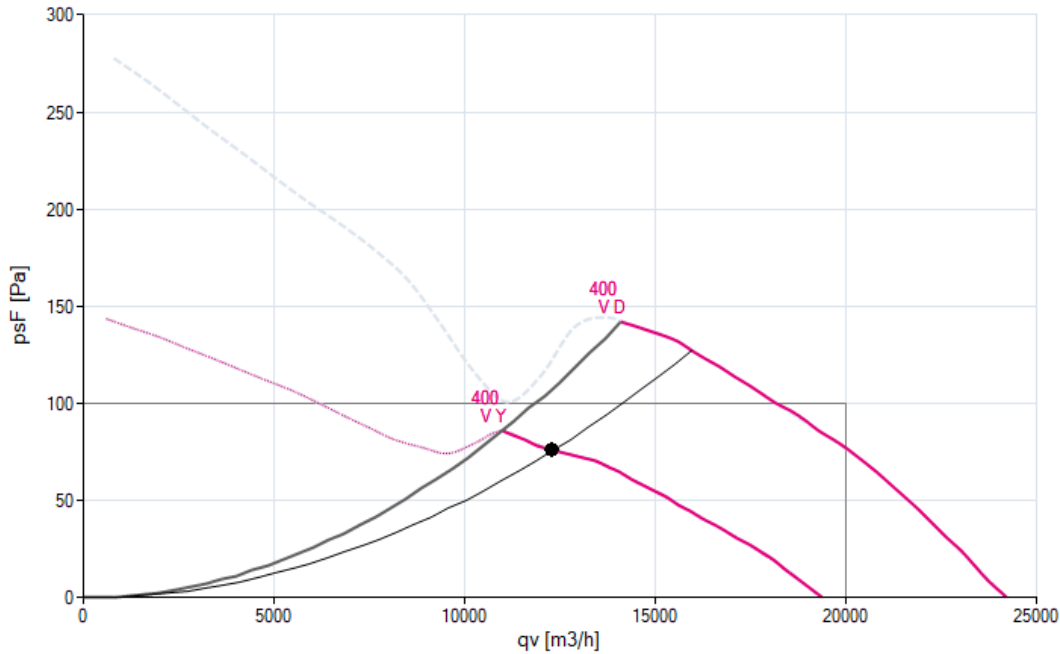
Version FANselect V 1.01 (230327), AMCA V 1.03 September, 2021<br>RLT V 1.00 Dezember, 2021 / 1.23.03.27 | 40932 | (user ZAFS30932)

1 FN080-SDS.6N.V7

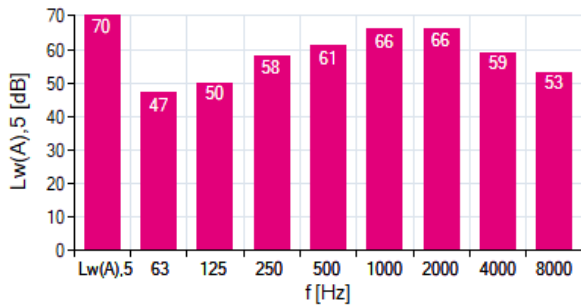
Measured in full nozzle with pressure side guard grille in air flow direction V in installation type A according to ISO5801

138757 | Portfolio STD-WW measurement density 1.16 [kg/m³]

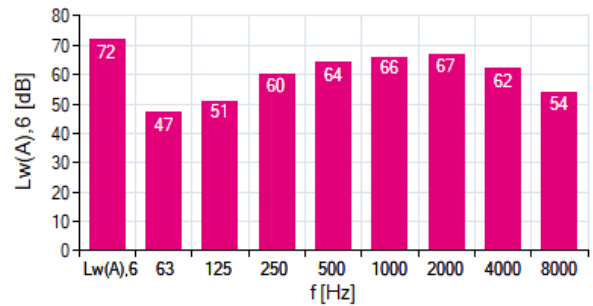
air performance  $p_{sF}$



acoustics ( $L_{w(A),5}$ )



acoustics ( $L_{w(A),6}$ )



1 FN080-SDS.6N.V7

f [Hz]	sum	63	125	250	500	1000	2000	4000	8000
$L_{w(A),5}$	70	47	50	58	61	66	66	59	53
$L_{w,5}$	75	72	65	66	64	66	65	58	54

f [Hz]	sum	63	125	250	500	1000	2000	4000	8000
$L_{w(A),6}$	72	47	51	60	64	66	67	62	54
$L_{w,6}$	76	72	66	68	68	66	66	61	55

# FANselect



## power input

7/23/2023

version FANselect V 1.01 (230327), AMCA V 1.03 September, 2021<br>RLT V 1.00 Dezember, 2021 / 1.23.03.27 | 40932 | (user ZAFS30932)

1

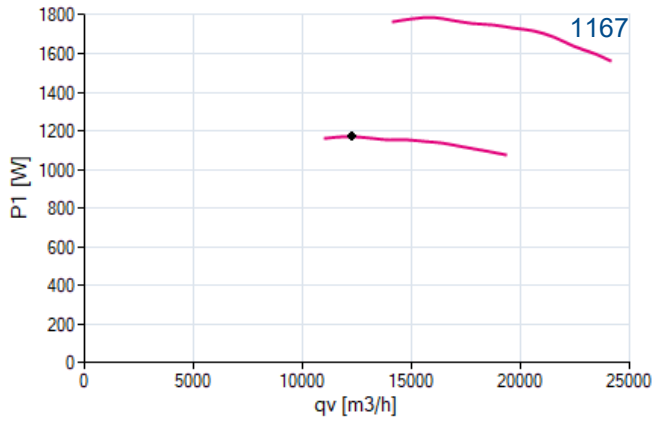
**FN080-SDS.6N.V7**

Measured in full nozzle with pressure side guard grille in air flow direction V in installation type A according to ISO5801

138757 | Portfolio STD-WW

measurement density 1.16 [kg/m³]

### power input P<sub>1</sub>





## nominal values

7/23/2023

version FANselect V 1.01 (230327), AMCA V 1.03 September, 2021<br>RLT V 1.00 Dezember, 2021 / 1.23.03.27 | 40932 | (user ZAFS30932)

1



**FN080-SDS.6N.V7**  
138757

3~ 400V D/Y 50Hz P1 1.80/1.15kW P2 1.35/0.65kW  
3.90/2.20A DI=5% 900/700/MIN COSY 0.68 65°C  
IP54 THCL155

## drawing

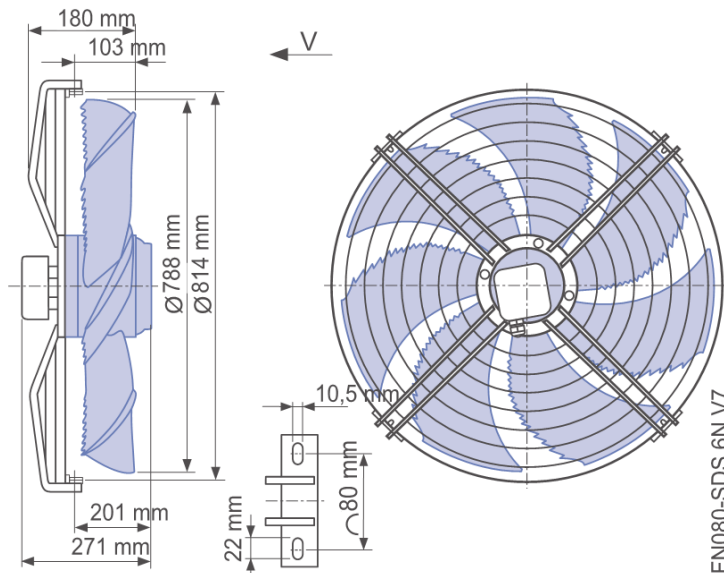
7/23/2023

version FANselect V 1.01 (230327), AMCA V 1.03 September, 2021<br>RLT V 1.00 Dezember, 2021 / 1.23.03.27 | 40932 | (user ZAFS30932)

1



**FN080-SDS.6N.V7**  
138757



## wiring diagram

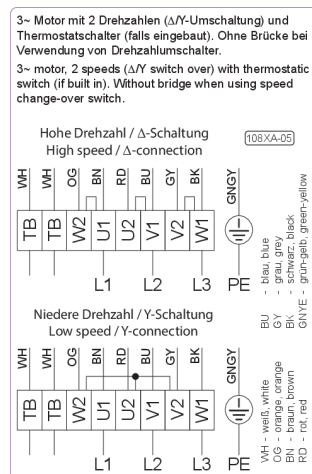
7/23/2023

version FANselect V 1.01 (230327), AMCA V 1.03 September, 2021<br>RLT V 1.00 Dezember, 2021 / 1.23.03.27 | 40932 | (user ZAFS30932)

1



**FN080-SDS.6N.V7**  
138757





## system components

7/23/2023

Version FANselect V 1.01 (230327), AMCA V 1.03 September, 2021&lt;br&gt;RLT V 1.00 Dezember, 2021 / 1.23.03.27 | 40932 | (user ZAFS30932)



type	FN080-SDS.6N.V7
article no.	138757

<b>mechanical component</b>	backdraft fan shutter
	type: SVK800 article no.: 00264387
	guide vane
	type: Ø 800 article no.: 00291515