

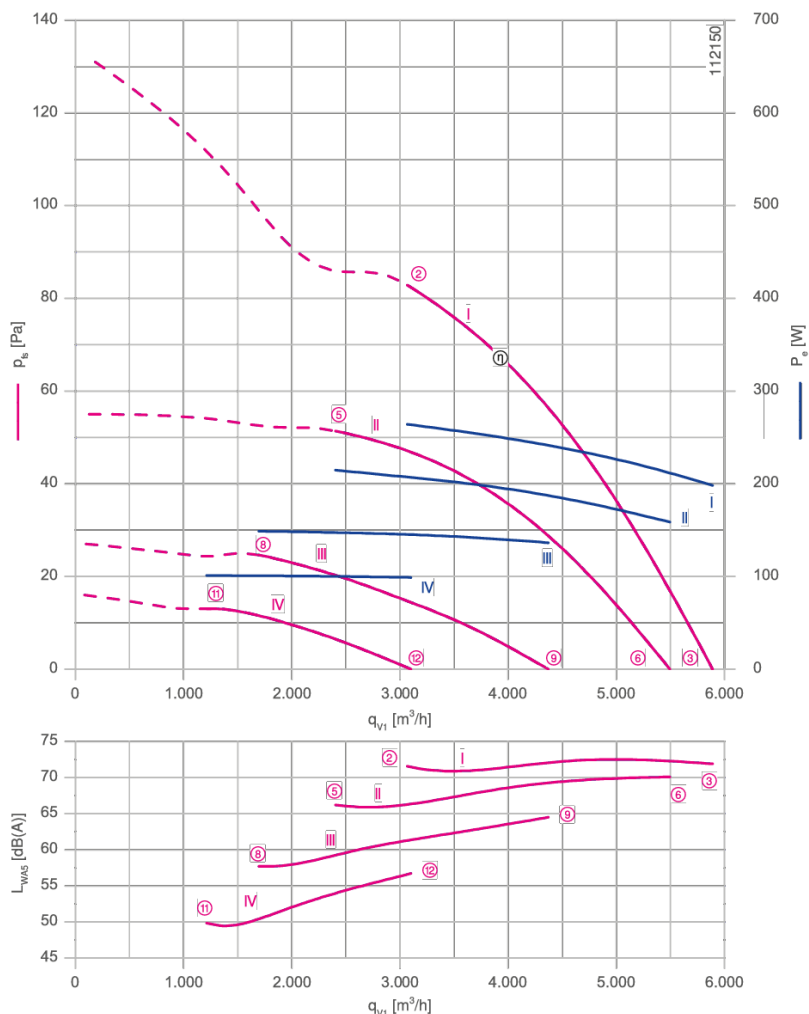
1. Product specification - Technical data

Article number	167964
Type	FN050-6EK.4F.V7P3
Designation	Axial fan with sickle blades
Rated values	1~230V±10% 50Hz P ₁ 270W 1.25A ΔI=15% 900/min 5.0uF/400V 70°C 1~230V±10% 60Hz P ₁ 380W 1,75A ΔI=0% 900/min 5,0uF/400V 70°C
Electrical connection	Terminal box K62
Min. operating temperature °C	-25***
Mounting type terminal box	Mounted on Stator
Type of protection	IP54
Thermal class	THCL155
Connection diagram	1360-104XA
Rating plate	1x fixed
Fitting position	H/Vu/Vo
Motor protection	thermal contact
Impregnation	Moisture and hot climate protection
Quality of bearings	ball bearing with long-time lubrication
Material Rotor	Aluminium
Painting rotor	unpainted
Material blades	Aluminium
Painting impeller	unpainted
Guard grille type	ring grill
Control	--
Painting mot.suspens	Motor suspension powder-coated consistency class 2
colour suspension	RAL 9005 (jet black)
Weight kg	10,60
ErP Data	Efficiency η_{statA} : 30,4 % Efficiency grade: $N_{\text{actual}} = 40,6 / N_{\text{target}} = 40^*$ *ErP 2015

2. Characteristic curve

Frequency: 50 Hz

Measured in full nozzle without guard grille in installation type A according to ISO 5801.



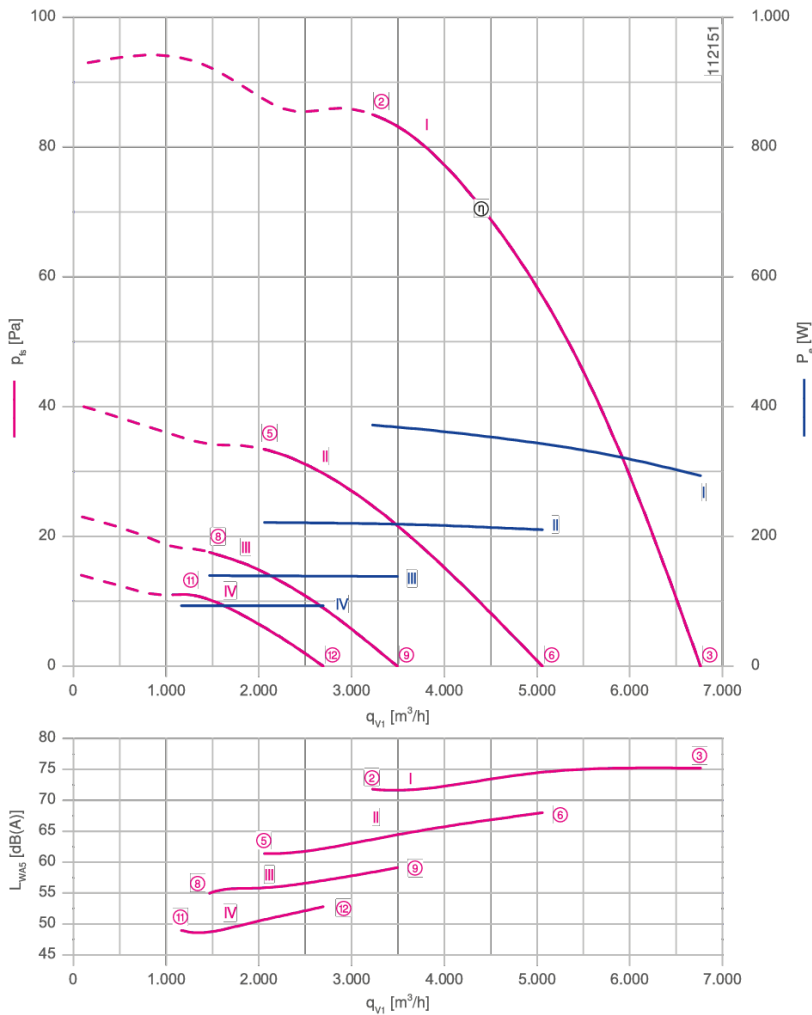
I = 1~230 V L, II = 1~170 V L, III = 1~135 V L, IV = 1~110 V L

Operating point	②	③	⑤	⑥	⑧	⑨	⑪	⑫
Characteristic curve	I	I	II	II	III	III	IV	IV
Connection	L	L	L	L	L	L	L	L
Voltage V	230	230	170	170	135	135	110	110
Input power W	270	200	210	160	150	140	100	100
Current A	1,25	0,94	1,40	0,98	1,30	1,15	1,10	1,05
Speed min ⁻¹	900	940	710	880	490	710	360	500
Suction side sound power level dB(A)	72	72	66	70	58	65	50	57

Characteristic curve

Frequency: 60 Hz

Measured in full nozzle without guard grille in installation type A according to ISO 5801.



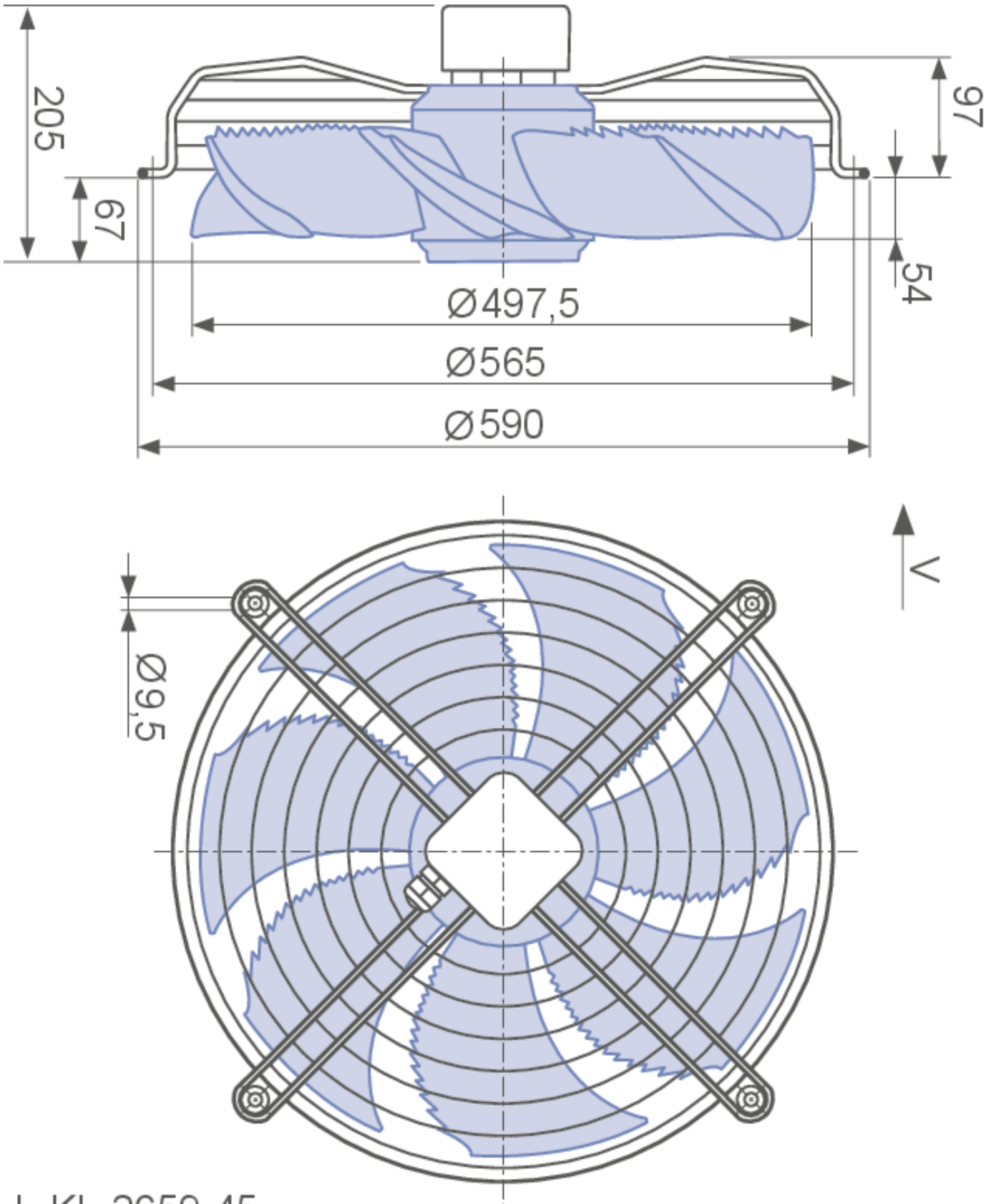
I = 1~230 V L, II = 1~170 V L, III = 1~135 V L, IV = 1~110 V L

Operating point		②	③	⑤	⑥	⑨	⑨	⑪	⑫
Characteristic curve		I	I	II	II	III	III	IV	IV
Connection		L	L	L	L	L	L	L	L
Voltage	V	230	230	170	170	135	135	110	110
Input power	W	370	290	220	210	140	140	95	95
Current	A	1,70	1,30	1,50	1,35	1,20	1,15	1,00	0,98
Speed	min ⁻¹	920	1080	580	810	430	560	340	430
Suction side sound power level	dB(A)	72	75	61	68	55	59	49	53

The Royal League

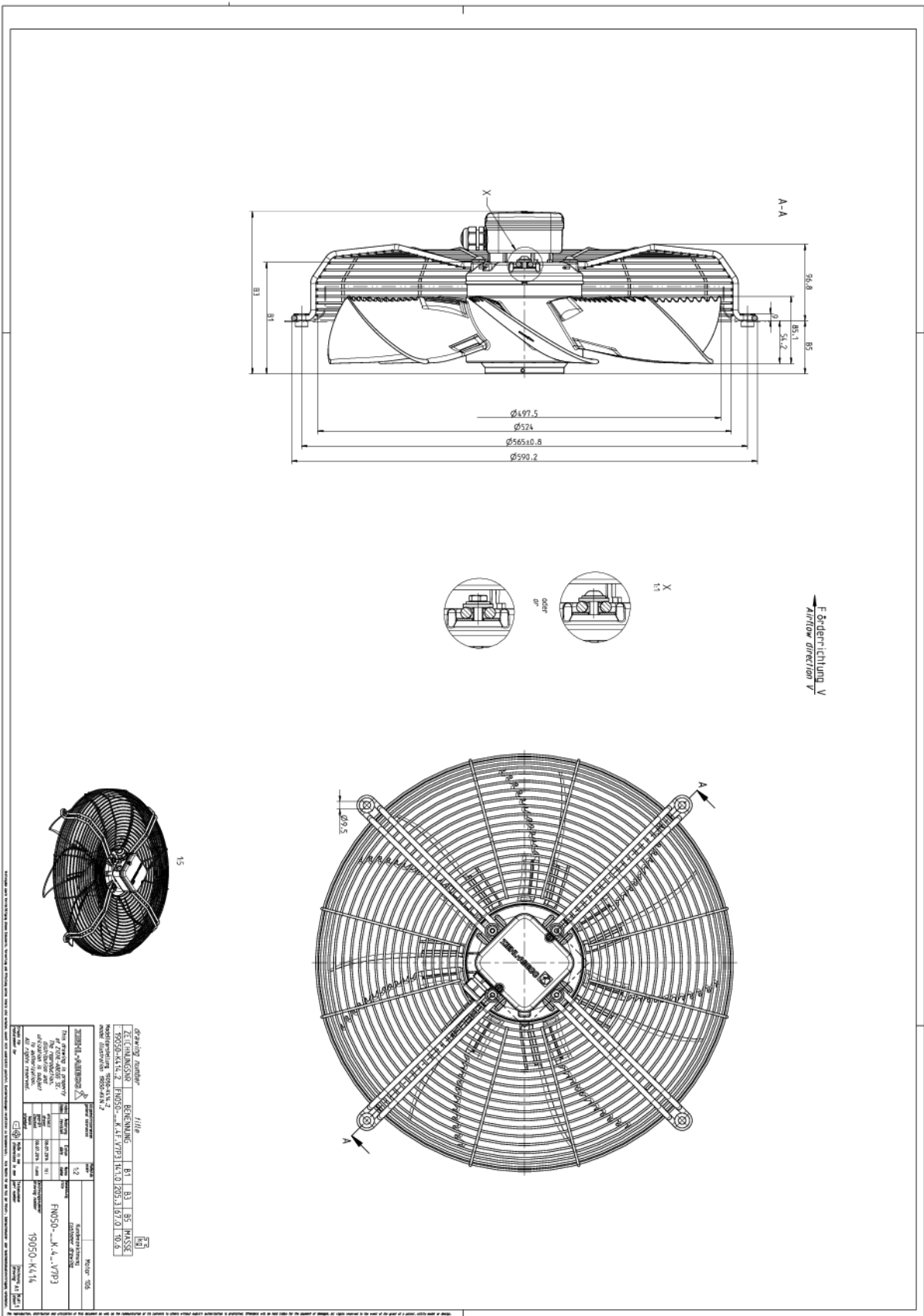
Die Königsklasse

3. Drawing



L-KL-2659-45

The Royal League Die Königsklasse



Dimensions in mm
Shown drawing is just to show the dimensions of the fan.

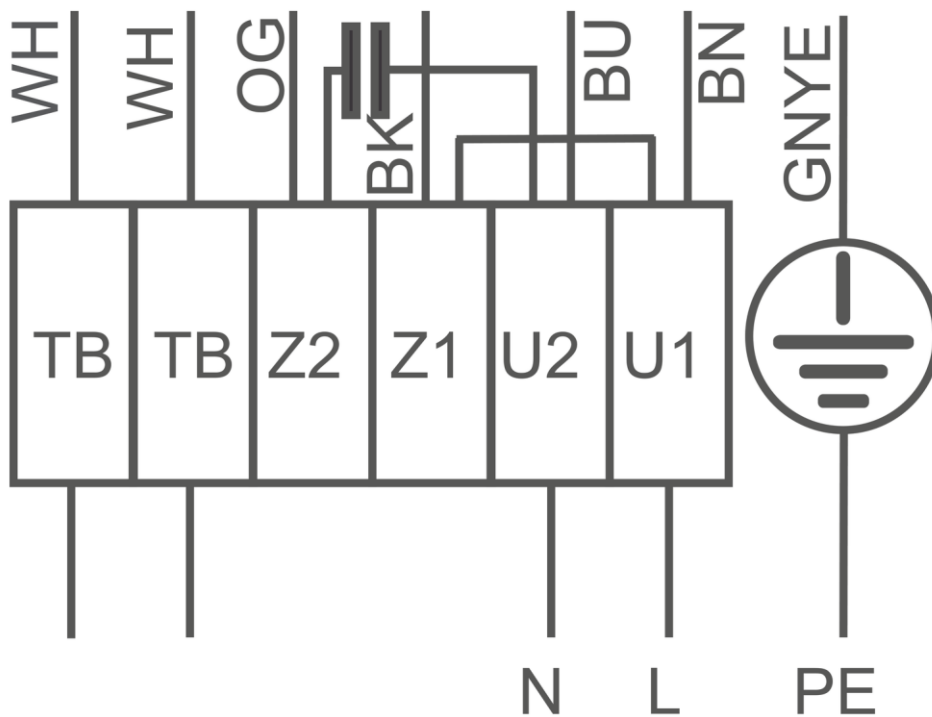
4. Connection diagram

1360-104XA

1~Motor with capacitor and thermostatic switch (if built in).

- BN brown
- BU blue
- BK black
- OG orange
- WH white
- GNYE green-yellow

Clockwise rotation



5. EU-Declaration of conformity

EU declaration of conformity

- Translation -
(english)
ZA75-GB 1910 Index 015

Manufacturer: ZIEHL-ABEGG SE
Heinz-Ziehl-Straße
74653 Künzelsau
Germany

The manufacturer is solely responsible for issuance of the declaration of conformity.

The products:

- External rotor motor MK., MW..
- Axial fan DN., FA., FB., FC., FE., FF., FG., FH., FL., FN., FS., FT., FV., VN., VR., ZC., ZF., ZG., ZN..
- Centrifugal fan ER., GR., RA., RD., RE., RF., RG., RH., RK., RM., RR., RZ., WR..
- Cross-flow fan QG., QK., QR., QT..

The motor type:

- Asynchronous internal or external rotor motor
- Asynchronous internal or external rotor motor with integrated frequency inverter
- Electronically commutated internal or external rotor motor
- Electronically commutated internal or external rotor motor with integrated EC controller

These products comply with the following EU directives:

- EMC Directive 2014/30/EU
- Low Voltage Directive 2014/35/EU
- ErP Directive 2009/125/EC, in conjunction with Regulation (EU) no. 327/2011

The following harmonised standards have been used:

EN 60034-1:2010 + Cor.:2010 EN 61000-6-3:2007 + A1:2011 + AC:2012
EN 60204-1:2006 + A1:2009 + AC:2010 EN 61000-6-2:2005 + AC:2005
EN 60529:1991 + A1:2000 + A2:2013

Compliance with the ErP Directive 2009/125/EC does not refer to external rotor motors MK., MW..

All ErP-relevant information comprises measurements which are determined using a standardised measurement set-up. More details can be obtained from the manufacturer.

Compliance with the EMC Directive 2014/30/EU refers only to those products when they are connected by mounting / operating instructions. If these products are integrated into a system or supplemented with other components (e.g. sensing controls) and operated, the manufacturer or operator is responsible of the overall system for compliance with the EMC Directive 2014/30/EU.

Künzelsau, 05.03.2019
(location, date of issue)

ZIEHL-ABEGG SE
Dr. W. Angelis
Technical Director Air Movement Division
(name, function)



(Signature)

ZIEHL-ABEGG SE
Dr. D. Kappel
Deputy Head of Electrical Systems
(name, function)



(Signature)



The Royal League

Die Königsklasse



The Royal League in ventilation, control and drive technology

Intelligent control technology for any application

ZIEHL-ABEGG system capabilities:

Everything from a single source – perfectly matched for optimal performance

Please contact us. We would be pleased to design an individual solution for your requirements.

We would like to welcome you on our worldwide exhibitions. Please find our next exhibitions [here](#).