

# FE2owlet

for single phase alternating current, 4 pole

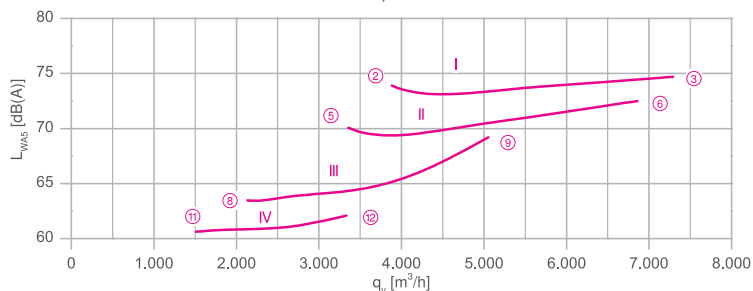
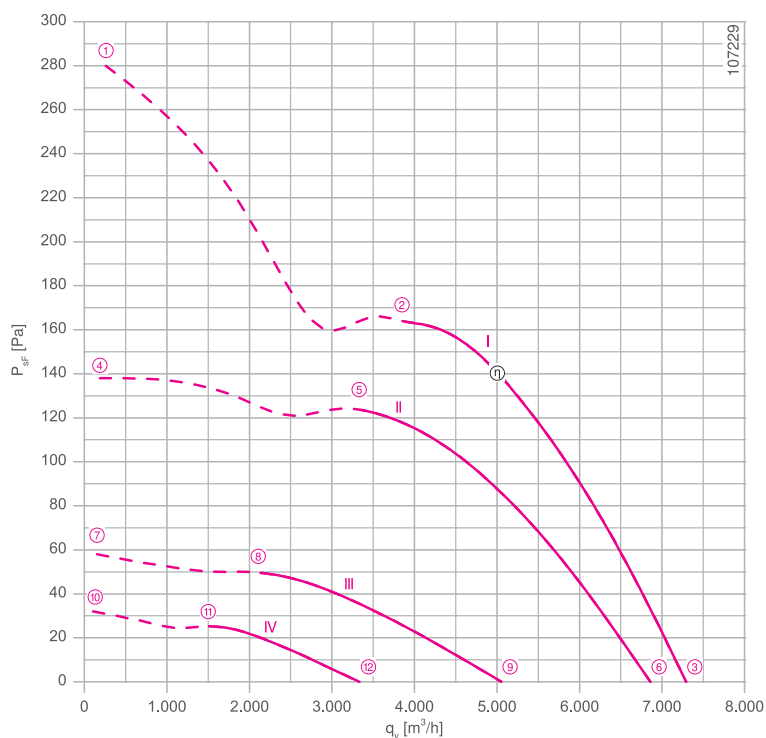
FNO45-4E



## Description

Motor technology: AC  
 Rated voltage  $U_N$ : 1~ 230 V $\pm$ 10 %\*  
 Rated frequency  $f_N$ : 50 Hz\*  
 Input power  $P_i$ : 0.60 kW\*  
 Rated current  $I_N$ : 2.90 A\*  
 Rated speed  $n_N$ : 1390 min<sup>-1</sup>\*  
 Starting current  $I_s$ : 6.50 A  
 Current increase  $\Delta I$ : 25 %  
 Service capacitor  $C_{400V}$ : 14.0  $\mu$ F  
 Thermal class: **THCL155\***  
 Min. permitted ambient temperature  $t_{R(min)}$ : -25 °C  
 Max. permitted ambient temperature  $t_{R(max)}$ : 70 °C  
 Electrical connection: Terminal box  
 Number of blades: 7  
 Protection class: IP54  
 Motor protection: thermal contact  
 Blades: Aluminium, uncoated  
 Rotor: Aluminium, uncoated  
 Conformity: ErP 2015, CE  
**ErP-data**  
 Efficiency  $\eta_{statA}$ : 34.0 %  
 Efficiency:  $N_{actual} = 41.8 / N_{target} = 40$ \*\*  
 \* Rated data  
 \*\*ErP 2015

## Characteristic curve



Measured in full bell mouth without guard grille in installation type A according to ISO 5801

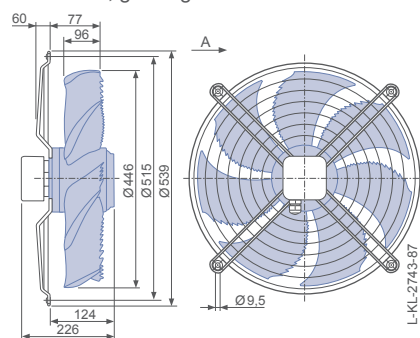
Connection diagram Page 531  
 for airflow direction A 1360-104XB  
 for airflow direction V 1360-104XA

System components Page 430

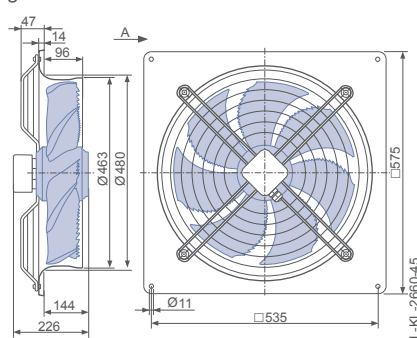
## Dimensions mm

### Airflow direction A

Design W - axial bolted, mounting for short bell mouth, guard grille suction side

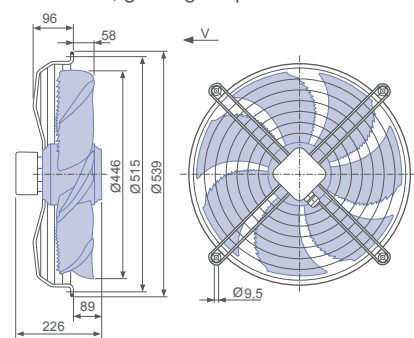


Design Q - square full bell mouth, guard grille suction side



### Airflow direction V

Design K - axial bolted, mounted for short bell mouth, guard grille pressure side



Performance data

| Type            | Characteristic curve | Voltage | Operating point | Current | Input power | Speed                  | Suction side sound power level<br>$L_{WA5}$<br>dB(A) |
|-----------------|----------------------|---------|-----------------|---------|-------------|------------------------|--|
|                 |                      | U<br>V  |                 | I<br>A  | $P_1$<br>W  | n<br>min <sup>-1</sup> |  |
| FN045-4E_4I_7P1 | I                    | 230     | ①               | 3.50    | 740         | 1350                   |  |
|                 |                      | 230*    | ②               | 2.90*   | 600*        | 1390*                  | 74   |
|                 |                      | 230     | ③               | 2.40    | 500         | 1420                   | 75   |
|                 | II                   | 170     | ④               | 4.40    | 620         | 940                    |  |
|                 |                      | 170     | ⑤               | 3.50    | 540         | 1200                   | 70   |
|                 |                      | 170     | ⑥               | 2.70    | 420         | 1330                   | 73   |
|                 | III                  | 135     | ⑦               | 3.70    | 390         | 610                    |  |
|                 |                      | 135     | ⑧               | 3.50    | 390         | 760                    | 64   |
|                 |                      | 135     | ⑨               | 3.30    | 370         | 980                    | 69   |
|                 | IV                   | 110     | ⑩               | 3.00    | 250         | 450                    |  |
|                 |                      | 110     | ⑪               | 2.90    | 250         | 530                    | 61   |
|                 |                      | 110     | ⑫               | 2.90    | 250         | 650                    | 62   |

\*rated data

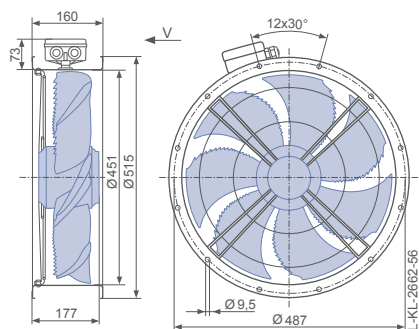
Fan ordering information

| Design             | Airflow direction A           |                               | Airflow direction V            |                          |                                |
|--------------------|-------------------------------|-------------------------------|--------------------------------|--------------------------|--------------------------------|
|                    | W (guard grille suction side) | Q (guard grille suction side) | K (guard grille pressure side) | F (without guard grille) | Q (guard grille pressure side) |
|                    |                               |                               |                                |                          |                                |
| <b>Type</b>        | <b>FN045-4EW.4I.A7P1</b>      | <b>FN045-4EQ.4I.A7P1</b>      | <b>FN045-4EK.4I.V7P1</b>       | <b>FN045-4EF.4I.V7P1</b> | <b>FN045-4EQ.4I.V7P1</b>       |
| <b>Article no.</b> | <b>167870</b>                 | <b>167871</b>                 | <b>167804</b>                  | <b>167872</b>            | <b>167874</b>                  |
| <b>Weight kg</b>   | 12.60                         | 16.20                         | 12.60                          | 15.70                    | 16.30                          |

Control technology

|  |  |  |
|--|--|--|
| <p>Frequency inverters<br/>Fcontrol 1~</p> <p>Page 474</p> | <p>Motor protection units<br/>1~</p> <p>Page 518</p> | <p>Electronic voltage<br/>controllers 1~</p> <p>Page 492</p> |
|--|--|--|

Design F - flange ring with two flanges, without guard grille



Design Q - square full bell mouth, guard grille pressure side

