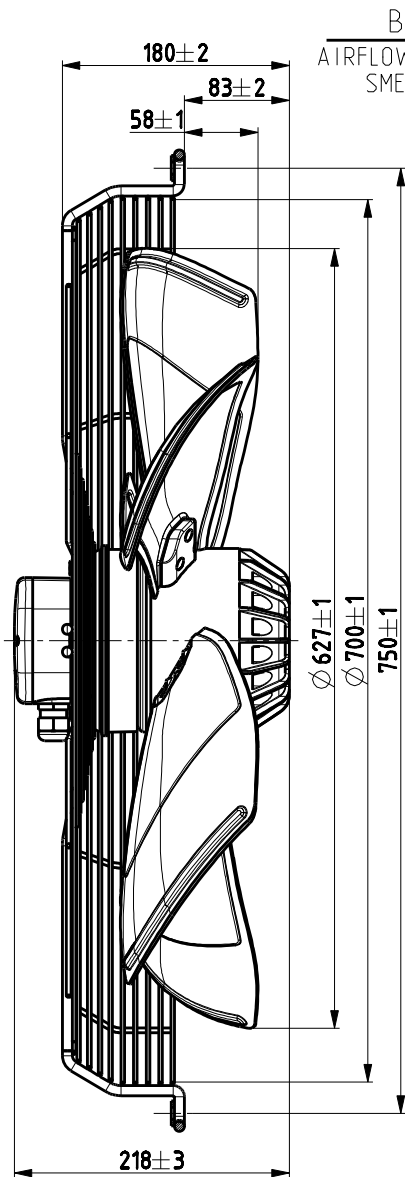
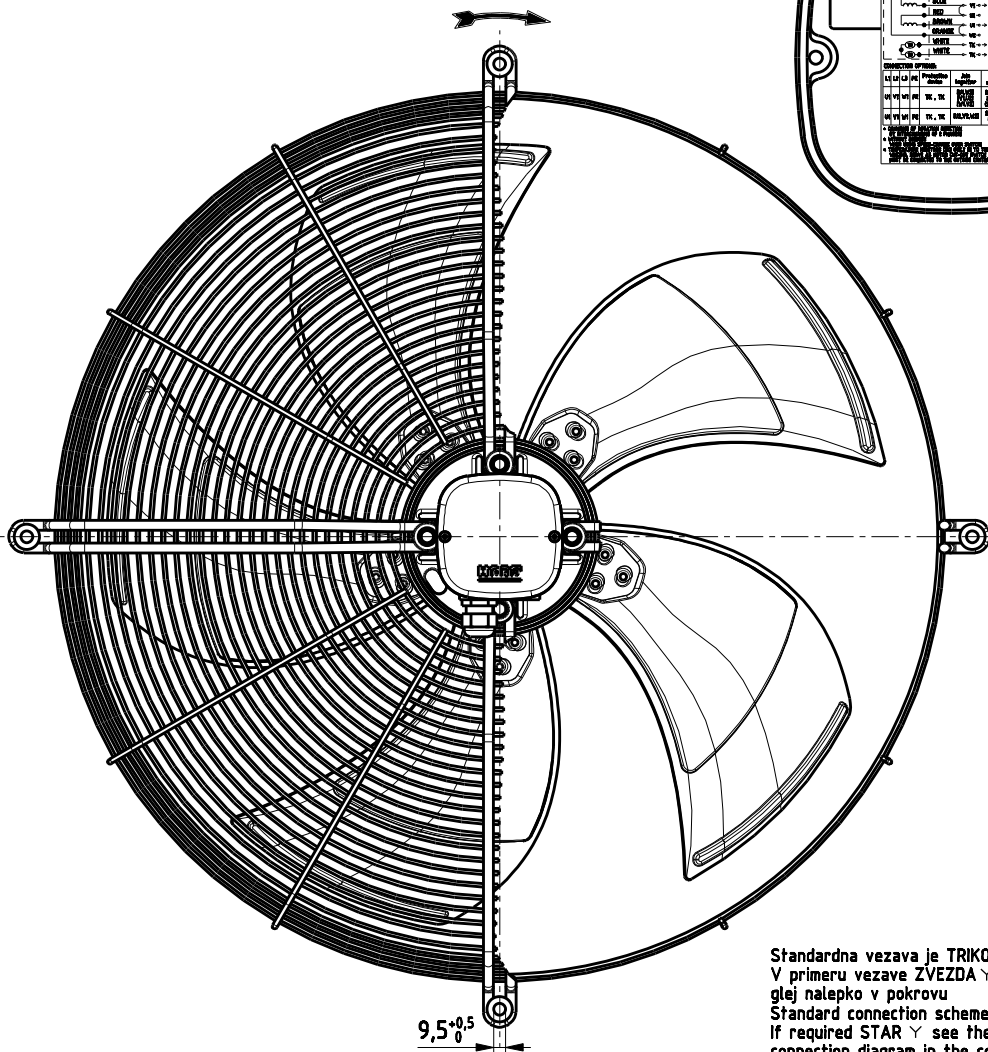


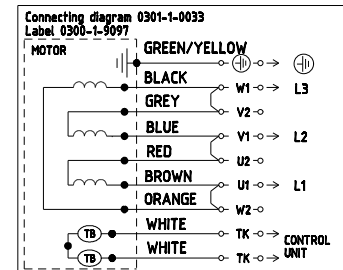
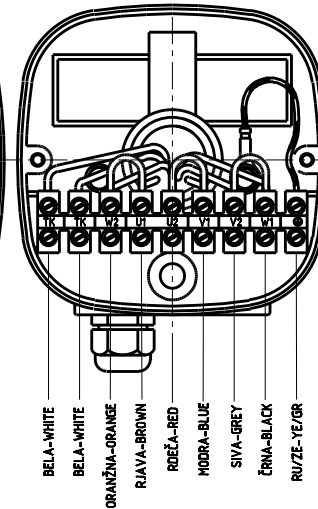
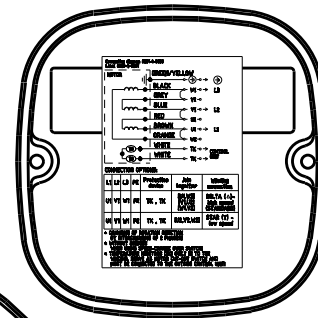
Vsaak prenos tretjim osebam in uporaba v nedogovorjene namene ni dovoljen.  
 This document must not be copied without our written permission and/or transferred to a third party for any unauthorized purpose.



BLOWING  
 AIRFLOW DIRECTION  
 SMER ZRAKA



Standardna vezava je TRIKOT △  
 V primeru vezave ZVEZDA Y  
 glej nalepko v pokrovu  
 Standard connection scheme is DELTA △  
 If required STAR Y see the  
 connection diagram in the cover



CONNECTION OPTIONS:

L1	L2	L3	PE	Protection device	Join together	Winding connection
U1	V1	W1	PE	TK, TK	[U1,W2] [V1,U2] [W1,V2]	DELTA (△) - high speed (STANDARD)
U1	V1	W1	PE	TK, TK	[U2,V2,W2]	STAR (Y) - low speed

- \* CHANGING OF ROTATION DIRECTION BY INTERCHANGING OF 2 PHASES!
- \* WITHOUT BRIDGES
- \* WHEN USING SPEED-CHANGE OVER SWITCH TEMPERATURE MONITORS (TK) BUILT IN TO THE WINDING, SERVE AS MOTOR CUT-OUT SWITCH AND MUST BE CONNECTED TO THE OUTSIDE CONTROL UNIT!

Vzmetna ploščica na kabelski strani  
 - navodilo za kontrolo ventilatorja 0301-1-4446  
 - checking instructions 0301-1-4446

**HOTTE** MADE IN SLOVENIA **CE** DATE  
 R13R-6330HP-6T2-7042  
 3~400V D/Y 50Hz 600/380W 125/0,65A  
 870/640RPM cos φ 0,70 IP54 INS.CL.F  
 TH.PROT. ROT. ← 0313-4-1017

<b>HOTTE</b>		NITOLERIRANE MERE UNTOLERANCES DIM.		ISO 2768-m		MERILO/FORMAT 1:4 / A3			
<b>Hidria Rotomatika</b>		POVRŠINSKA OBD. SURFACE TEXTURE				MATERIAL			
		IMAK		DATUM		PODPIS		NAZIVA TITLE:	
		01-Dec-2010		Uroš K.				VENTILATOR Hef	
		PROJEKTORIAL		01-Dec-2010		Uroš T.		R13R-6330HP-6T2-7042	
		POTRIBNA ROTORNA MOTOR						KODA: CODE:	
		POTRIBNA SVE LAMPE						0313-4-1017	
		POTRIBNA ROTORNA FANS						VERZIJA: REV:	
		POTRIBNA						LIST: SHEET: 1	
1		329/10		01-Dec-2010		Uroš K.		02: OF: 1	
ST.		ST.SPR.		DATUM		PODPIS			