

**R09\_-2025\_-4M-2516**

**Diameter:**

**200 mm**

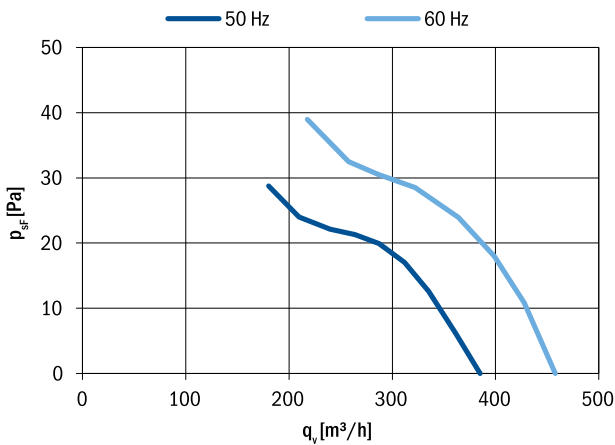
**Nominal data according to standard EN 60335:**

Phase	1~
Nominal voltage	230 V
Frequency	50/60 Hz
Rated power input	30/38 W
Rated current	0.14/0.17 A
Rated speed	1430/1680 RPM
Min. ambient temperature	-30 °C
Max. ambient temperature	65 °C
Sound power level A weighted	52/54 dB (A)
Condensator	1.5 µF/450 V
Connection	cabl
Insulation class	155
Protection class	IP44

**Is not subject to the EU regulation 327/2011.**

Power input lower than 125 W.

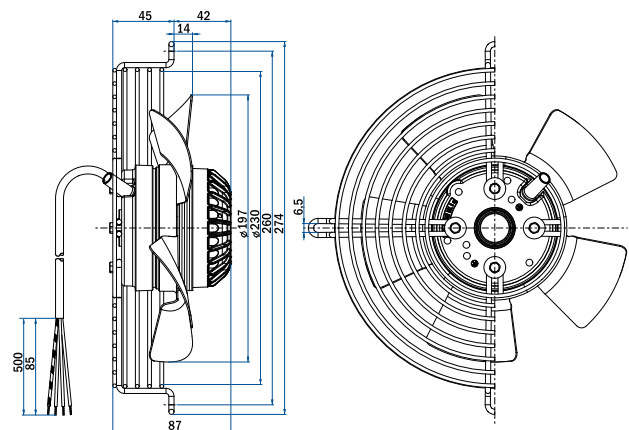
**Aerodynamic characteristic**



Fan characteristic measured in full bell mouth with guard grill.

**Fan with guard grill**

Airflow Direction	Type	Code	Weight (kg)
Sucking	R09R-2025A-4M-2516	0309-4-0213	1.9
Blowing	R09R-2025P-4M-2516	0309-4-0215	



**Fan with plate**

Airflow Direction	Type	Code	Weight (kg)
Sucking	R09P-2025A-4M-2516	On request	
Blowing	R09P-2025P-4M-2516	On request	

**Fan without guard grill**

Airflow Direction	Type	Code	Weight (kg)
Sucking	R09E-2025A-4M-2516	On request	
Blowing	R09E-2025P-4M-2516	On request	

**General notes**

Connection diagrams:

Sucking                    0301-1-0026                    See section  
Blowing                    0301-1-0002                    Connection diagrams

Guard grills & wall-plates                    See section Accessories

Standards compliance                    See introduction page