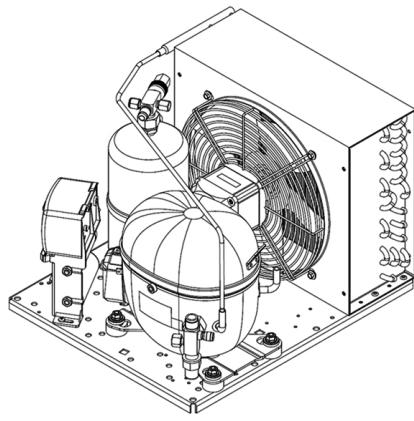


UNT6220Z



ENGINEERING CODE
602CN5204AA



REFRIGERANT
R-513A



POWER SUPPLY
200-240 V 50 Hz
/ 230 V 60 Hz



APPLICATION
HBP



MOTOR TYPE
CSR



STANDARD
EN13215_RG20

CE

ECODESIGN
COMPLIANT



COOLING CAPACITY
1198 W



EFFICIENCY
1.74 W/W

DATA

GENERAL DATA

Model UNT6220Z

ELECTRICAL DATA

Locked Rotor Amperage (LRA) 28.00 A

Rated Load Amperage (RLA) 5.99 A

Maximum Overcurrent Protection (MOP) 13.48 A

Minimum Current Ampacity (MCA) 7.5 A

ACCESSORIES

Discharge valve FLARE 3/8" 2110056

Suction valve FLARE 1/2" 2110057

CONDENSING COMPONENTS

Compressor NT6220Z HBP

Condenser 3R12T 2451140

Refrigerant R-134a

Expansion Device C-V

Fan Blade Diameter 275 mm

Fankit 34W 275/31/5B 1996583

MECHANICAL DATA

| | |
|-------------|-----------------------|
| Air Flow | 640 m ³ /h |
| Height | 324 mm |
| Receiver | 2.3 L |
| Shaft Power | 34 W |
| Weight | 34 Kg |
| Width | 395 mm |
| Length | 494 mm |

PERFORMANCE

TESTED CONDITIONS

| | |
|--------------------|--------------|
| Tested Refrigerant | R-513A |
| Tested Application | HBP |
| Tested Standard | EN13215_RG20 |

RATED POINTS

| Ambient Temperature °C | Evaporating Temperature °C | Cooling Capacity W | Efficiency W/W | Consumo de Potencia W |
|------------------------|----------------------------|--------------------|----------------|-----------------------|
| 32 | -10 | 1198 | 1.74 | 687 |

Test Condition: Subcooling 3 K, Return Gas 20 °C.

PERFORMANCE CURVE

Ambient Temperature 25°C

| Evaporating Temperature °C | Cooling Capacity W | Efficiency W/W | Consumo de Potencia W |
|----------------------------|--------------------|----------------|-----------------------|
| -15 | 1067 | 1.76 | 607 |
| -5 | 1617 | 2.23 | 724 |
| 0 | 1931 | 2.47 | 780 |
| 5 | 2258 | 2.67 | 847 |
| 10 | 2592 | 2.78 | 932 |

Test Condition: Subcooling 3 K, Return Gas 20 °C.

PERFORMANCE CURVE

Ambient Temperature 32°C

| Evaporating Temperature °C | Cooling Capacity W | Efficiency W/W | Consumo de Potencia W |
|----------------------------|--------------------|----------------|-----------------------|
| -15 | 966 | 1.54 | 626 |
| -5 | 1459 | 1.97 | 743 |
| 0 | 1742 | 2.18 | 801 |
| 5 | 2038 | 2.34 | 871 |
| 10 | 2338 | 2.44 | 960 |

Test Condition: Subcooling 3 K, Return Gas 20 °C.

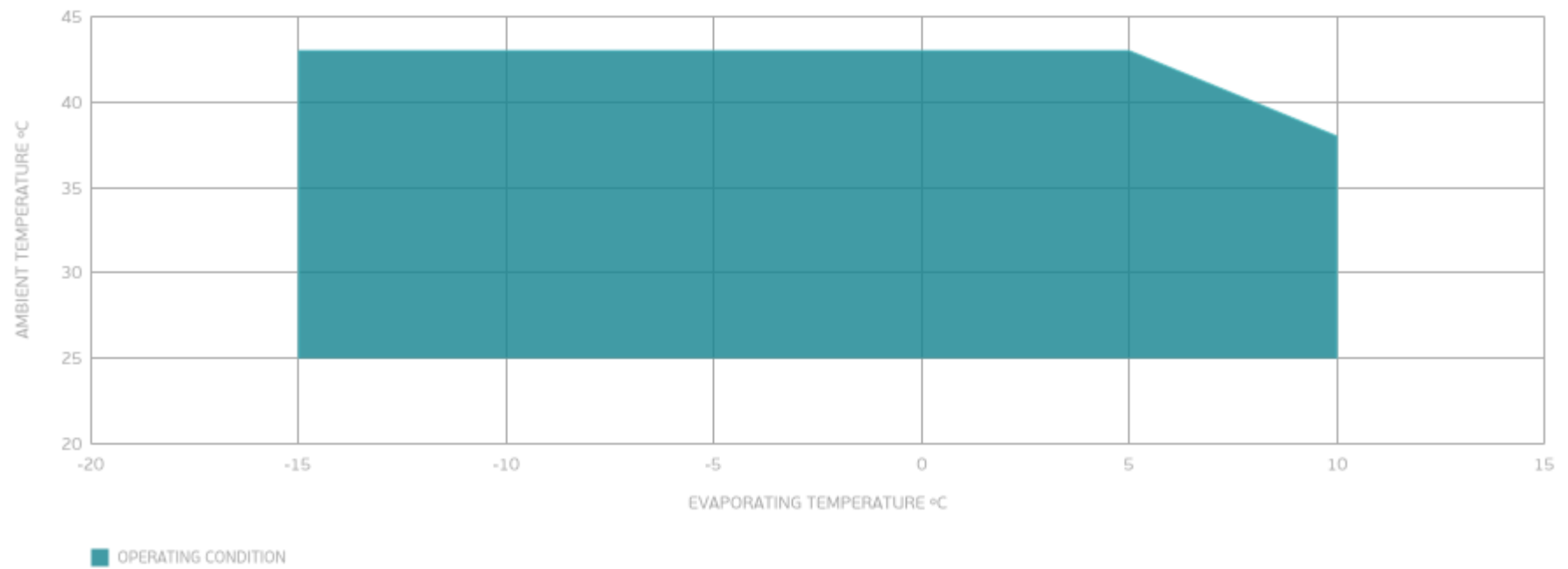
PERFORMANCE CURVE

Ambient Temperature 43°C

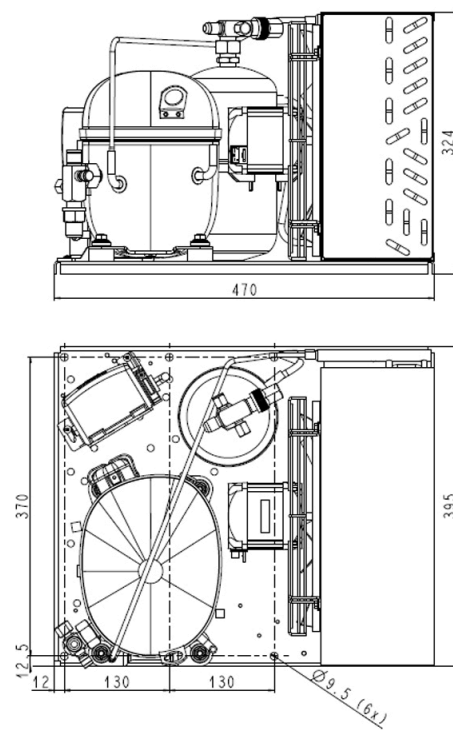
| Evaporating Temperature °C | Cooling Capacity W | Efficiency W/W | Consumo de Potencia W |
|----------------------------|--------------------|----------------|-----------------------|
| -15 | 784 | 1.23 | 639 |
| -5 | 1212 | 1.56 | 775 |
| 0 | 1459 | 1.73 | 845 |
| 5 | 1716 | 1.85 | 929 |

Test Condition: Subcooling 3 K, Return Gas 20 °C.

ENVELOPE



EXTERNAL DIMENSIONS



WIRING DIAGRAM

