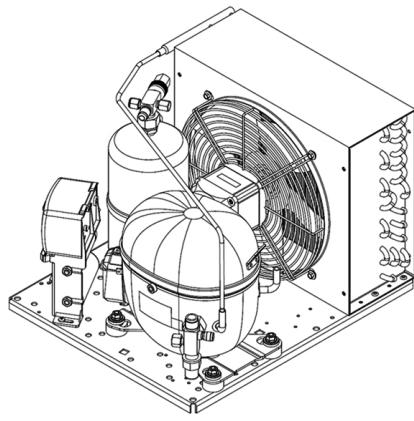


UNT6220Z



ENGINEERING CODE
602CN5204AA



REFRIGERANT
R-134a



POWER SUPPLY
200-240 V 50 Hz
/ 230 V 60 Hz



APPLICATION
HBP



MOTOR TYPE
CSR



STANDARD
EN13215_RG20

CE

ECODESIGN
COMPLIANT



COOLING CAPACITY
1140 W



EFFICIENCY
1.77 W/W

DATA

GENERAL DATA

Model UNT6220Z

ELECTRICAL DATA

Locked Rotor Amperage (LRA) 28.00 A

Rated Load Amperage (RLA) 5.99 A

Maximum Overcurrent Protection (MOP) 13.48 A

Minimum Current Ampacity (MCA) 7.5 A

ACCESSORIES

Discharge valve FLARE 3/8" 2110056

Suction valve FLARE 1/2" 2110057

CONDENSING COMPONENTS

Compressor NT6220Z HBP

Condenser 3R12T 2451140

Refrigerant R-134a

Expansion Device C-V

Fan Blade Diameter 275 mm

Fankit 34W 275/31/5B 1996583

MECHANICAL DATA

Air Flow	640 m ³ /h
Height	324 mm
Receiver	2.3 L
Shaft Power	34 W
Weight	34 Kg
Width	395 mm
Length	494 mm

PERFORMANCE

TESTED CONDITIONS

Tested Refrigerant	R-134a
Tested Application	HBP
Tested Standard	EN13215_RG20

RATED POINTS

Ambient Temperature °C	Evaporating Temperature °C	Cooling Capacity W	Efficiency W/W	Consumo de Potencia W
32	-10	1140	1.77	643

Test Condition: Subcooling 3 K, Return Gas 20 °C.

PERFORMANCE CURVE

Ambient Temperature 25°C

Evaporating Temperature °C	Cooling Capacity W	Efficiency W/W	Consumo de Potencia W
-15	1000	1.77	566
-5	1553	2.29	677
0	1883	2.57	733
5	2235	2.79	800
10	2597	2.93	887

Test Condition: Subcooling 3 K, Return Gas 20 °C.

PERFORMANCE CURVE

Ambient Temperature 32°C

Evaporating Temperature °C	Cooling Capacity W	Efficiency W/W	Consumo de Potencia W
-15	910	1.56	584
-5	1410	2.02	697
0	1711	2.27	754
5	2032	2.46	824
10	2361	2.58	915

Test Condition: Subcooling 3 K, Return Gas 20 °C.

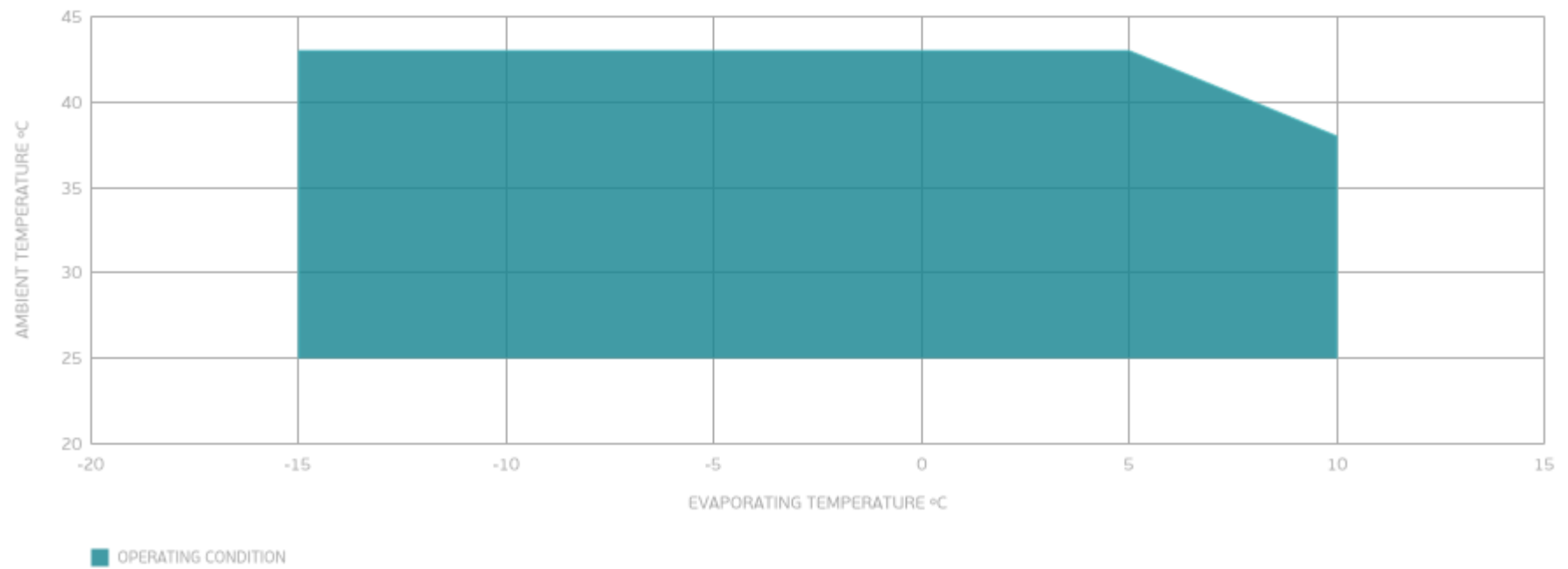
PERFORMANCE CURVE

Ambient Temperature 43°C

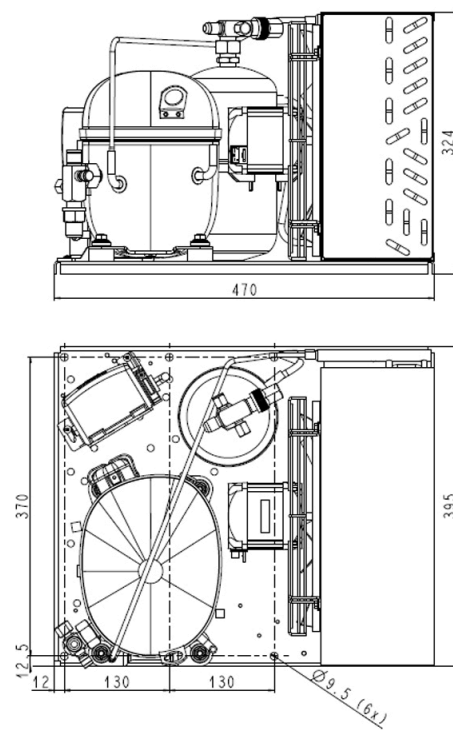
Evaporating Temperature °C	Cooling Capacity W	Efficiency W/W	Consumo de Potencia W
-15	728	1.22	596
-5	1181	1.63	726
0	1455	1.83	794
5	1745	1.99	876

Test Condition: Subcooling 3 K, Return Gas 20 °C.

ENVELOPE



EXTERNAL DIMENSIONS



WIRING DIAGRAM

