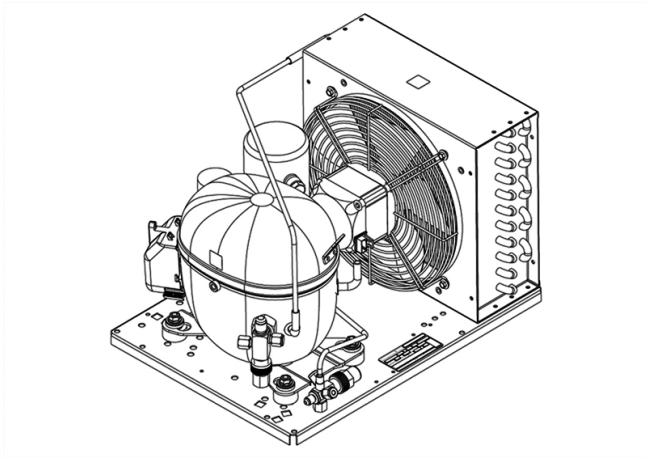


UNT6215Z



ENGINEERING CODE
602AN5212AA



REFRIGERANT
R-134a



POWER SUPPLY
200-240 V 50 Hz
/ 230 V 60 Hz



APPLICATION
HBP



MOTOR TYPE
CSIR



STANDARD
EN13215_RG20

CE

ECODESIGN
COMPLIANT



COOLING CAPACITY
964 W



EFFICIENCY
1.53 W/W

DATA

GENERAL DATA

Model UNT6215Z

ELECTRICAL DATA

Locked Rotor Amperage (LRA) 22.00 A

Rated Load Amperage (RLA) 5.12 A

Maximum Overcurrent Protection (MOP) 11.52 A

Minimum Current Ampacity (MCA) 6.4 A

ACCESSORIES

Discharge valve FLARE 1/4" 2110025

Suction valve FLARE 3/8" 2110056

CONDENSING COMPONENTS

Compressor NT6215Z M/HBP

Condenser 3R11T 2451206

Refrigerant R-134a

Expansion Device C-V

Fan Blade Diameter 254 mm

Fankit 25W 254/28/5B 1996587

MECHANICAL DATA

Air Flow	740 m ³ /h
Height	296 mm
Receiver	1.2 L
Shaft Power	25 W
Weight	28 Kg
Width	340 mm
Length	465 mm

PERFORMANCE

TESTED CONDITIONS

Tested Refrigerant	R-134a
Tested Application	HBP
Tested Standard	EN13215_RG20

RATED POINTS

Ambient Temperature °C	Evaporating Temperature °C	Cooling Capacity W	Efficiency W/W	Consumo de Potencia W
32	-10	964	1.53	632

Test Condition: Subcooling 3 K, Return Gas 20 °C.

PERFORMANCE CURVE

Ambient Temperature 25°C

Evaporating Temperature °C	Cooling Capacity W	Efficiency W/W	Consumo de Potencia W
-15	867	1.58	548
-5	1288	1.87	689
0	1534	1.98	773
5	1785	2.06	866
10	2029	2.09	969

Test Condition: Subcooling 3 K, Return Gas 20 °C.

PERFORMANCE CURVE

Ambient Temperature 32°C

Evaporating Temperature °C	Cooling Capacity W	Efficiency W/W	Consumo de Potencia W
-15	789	1.39	566
-5	1171	1.65	709
0	1395	1.75	796
5	1624	1.82	893
10	1844	1.85	999

Test Condition: Subcooling 3 K, Return Gas 20 °C.

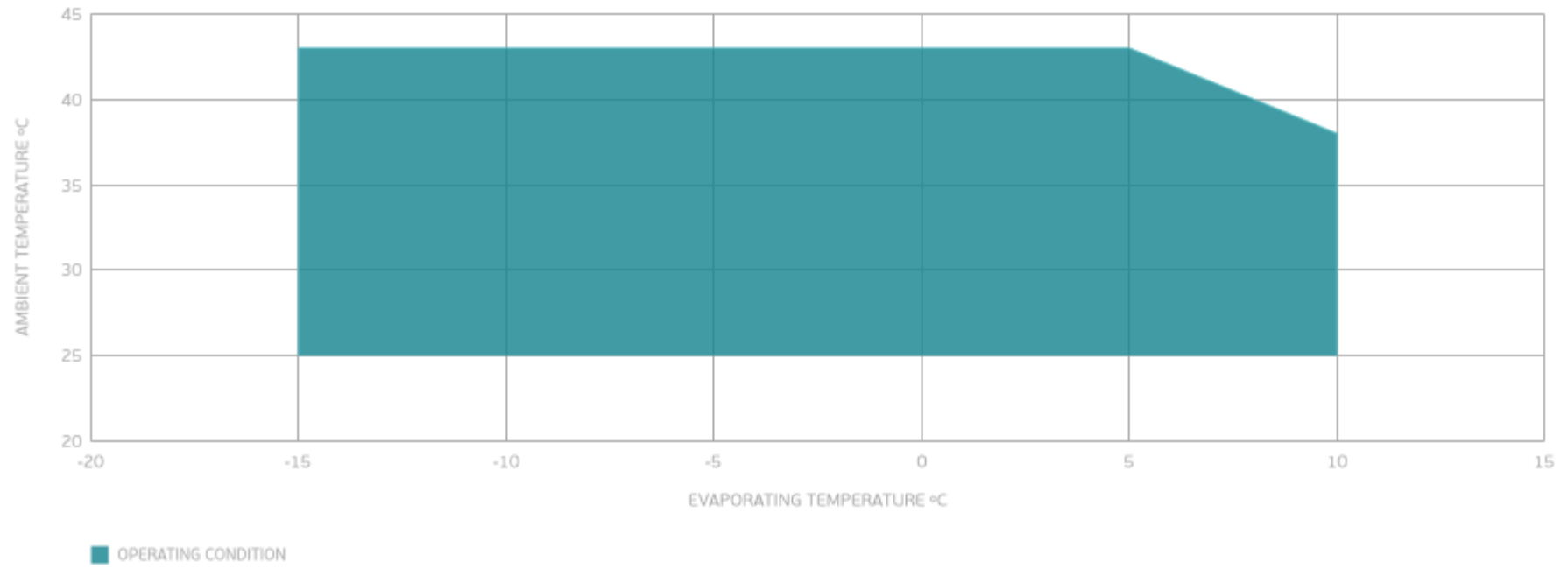
PERFORMANCE CURVE

Ambient Temperature 43°C

Evaporating Temperature °C	Cooling Capacity W	Efficiency W/W	Consumo de Potencia W
-15	625	1.04	600
-5	971	1.29	752
0	1174	1.39	845
5	1380	1.45	951

Test Condition: Subcooling 3 K, Return Gas 20 °C.

ENVELOPE



EXTERNAL DIMENSIONS

