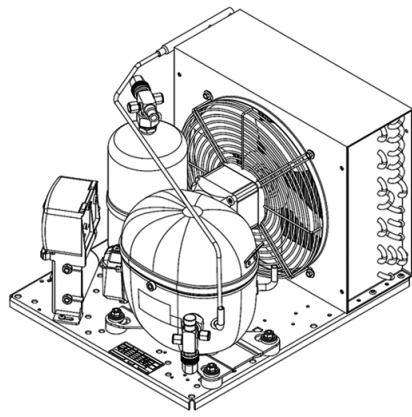


## UNT2212GK



**ENGINEERING CODE**  
505DA5604AA



**REFRIGERANT**  
R-452A



**POWER SUPPLY**  
220-240 V 50 Hz



**APPLICATION**  
LBP



**MOTOR TYPE**  
CSR



**STANDARD**  
EN13215\_RG20

CE

✓ ECODSIGN  
COMPLIANT



**COOLING CAPACITY**  
804 W



**EFFICIENCY**  
1.1 W/W

## DATA

## GENERAL DATA

**Model** UNT2212GK

## ELECTRICAL DATA

**Locked Rotor Amperage (LRA)** 33.00 A

**Rated Load Amperage (RLA)** 8.70 A

**Maximum Overcurrent Protection (MOP)** 19.57 A

**Minimum Current Ampacity (MCA)** 10.9 A

## ACCESSORIES

**cover** DOG HOUSE 1957003

**Discharge valve** SOLDER 3/8" 2110049

**Suction valve** SOLDER 1/2" 2110050

## CONDENSING COMPONENTS

**Compressor** NT2212GK LBP

**Condenser** 3R12T 2451140

**Refrigerant** R-404A

**Expansion Device** C-V

**Fan Blade Diameter** 275 mm

**Fankit** 34W 275/31/5B 1996583

## MECHANICAL DATA

Air Flow	800 m <sup>3</sup> /h
Height	324 mm
Receiver	2.3 L
Shaft Power	34 W
Weight	35 Kg
Width	395 mm
Length	494 mm

## PERFORMANCE

### TESTED CONDITIONS

Tested Refrigerant	R-452A
Tested Application	LBP
Tested Standard	EN13215_RG20

### RATED POINTS

Ambient Temperature °C	Evaporating Temperature °C	Cooling Capacity W	Efficiency W/W	Consumo de Potencia W
32	-35	804	1.1	734

Test Condition: Subcooling 3 K, Return Gas 20 °C.

### PERFORMANCE CURVE

Ambient Temperature 25°C

Evaporating Temperature °C	Cooling Capacity W	Efficiency W/W	Consumo de Potencia W
-40	763	1.23	619
-30	1083	1.33	815
-25	1328	1.43	929
-20	1617	1.53	1057
-15	1940	1.62	1200
-10	2286	1.68	1362

Test Condition: Subcooling 3 K, Return Gas 20 °C.

**PERFORMANCE CURVE**

Ambient Temperature 32°C

Evaporating Temperature °C	Cooling Capacity W	Efficiency W/W	Consumo de Potencia W
-40	674	1.06	634
-30	989	1.17	842
-25	1218	1.27	961
-20	1482	1.36	1093
-15	1770	1.43	1240
-10	2074	1.48	1405

Test Condition: Subcooling 3 K, Return Gas 20 °C.

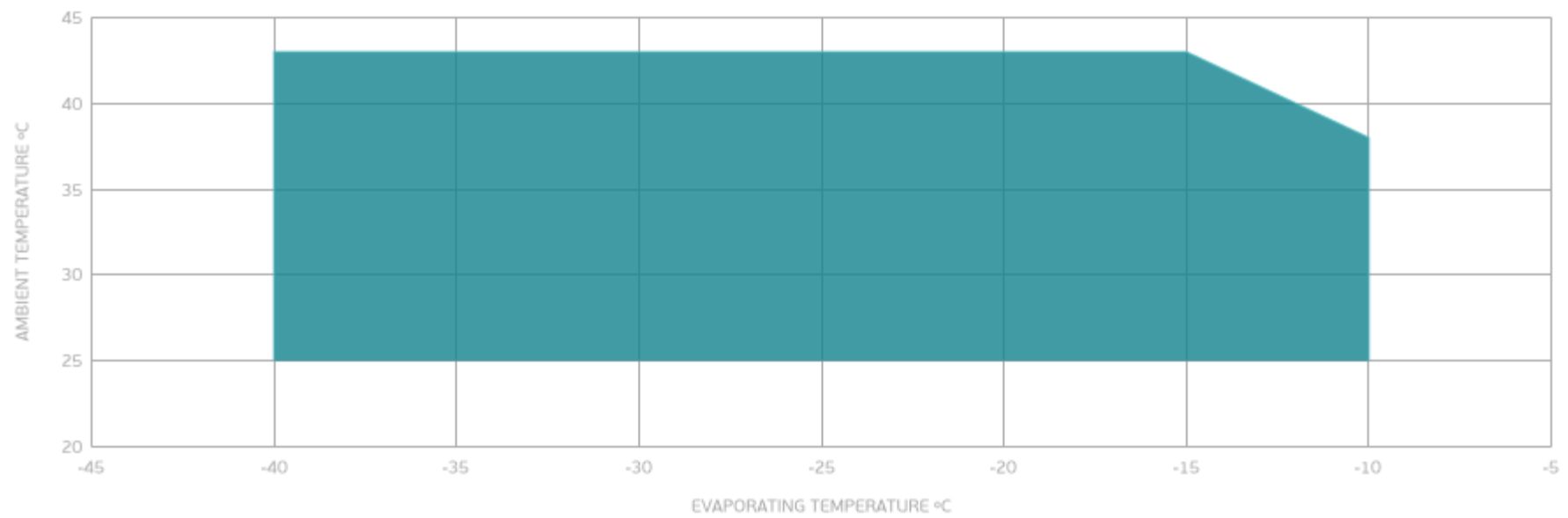
**PERFORMANCE CURVE**

Ambient Temperature 43°C

Evaporating Temperature °C	Cooling Capacity W	Efficiency W/W	Consumo de Potencia W
-40	492	0.79	624
-30	808	0.94	861
-25	1017	1.02	992
-20	1246	1.10	1136
-15	1485	1.15	1294

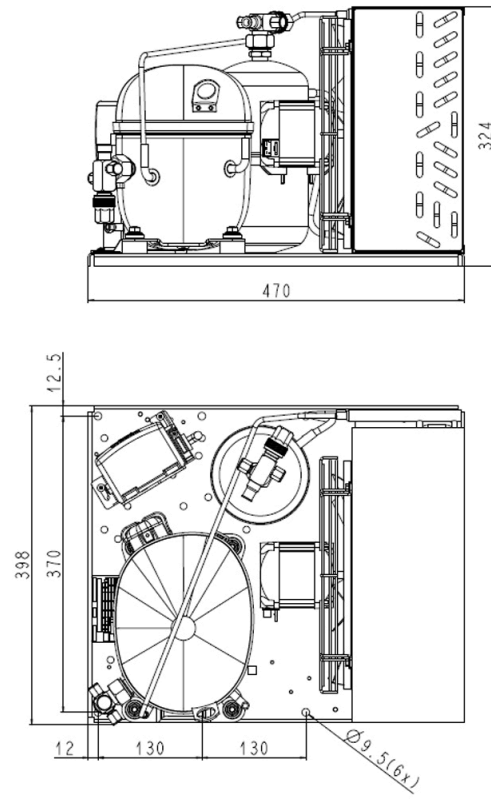
Test Condition: Subcooling 3 K, Return Gas 20 °C.

**ENVELOPE**



■ OPERATING CONDITION

## EXTERNAL DIMENSIONS



## WIRING DIAGRAM

