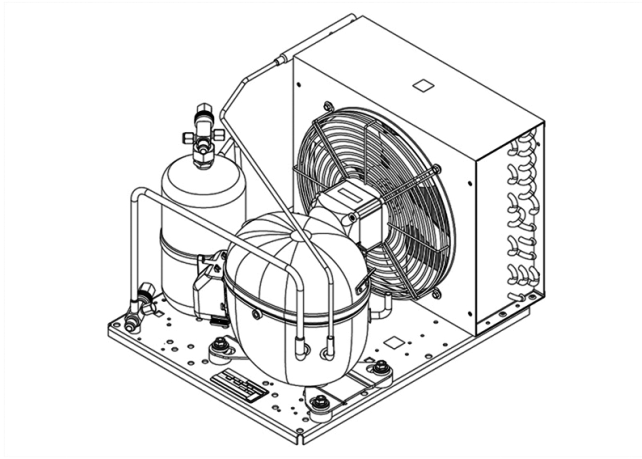


UNT2192GK



CE


ENGINEERING CODE
503EA5212AA

REFRIGERANT
R-452A

POWER SUPPLY
220-240 V 50 Hz

APPLICATION
LBP

MOTOR TYPE
CSIR

STANDARD
EN13215_RG20

COOLING CAPACITY
583 W

EFFICIENCY
0.96 W/W

DATA

GENERAL DATA

Model	UNT2192GK
-------	-----------

ELECTRICAL DATA

Locked Rotor Amperage (LRA)	35.00 A
-----------------------------	---------

Rated Load Amperage (RLA)	5.47 A
---------------------------	--------

Maximum Overcurrent Protection (MOP)	12.31 A
--------------------------------------	---------

Minimum Current Ampacity (MCA)	6.8 A
--------------------------------	-------

ACCESSORIES

Discharge valve	FLARE 3/8"	2110056
-----------------	------------	---------

Suction valve	FLARE 3/8"	2110024
---------------	------------	---------

CONDENSING COMPONENTS

Compressor	NT2192GK	LBP
------------	----------	-----

Condenser	3R12T	2451218
-----------	-------	---------

Refrigerant	R-404A
-------------	--------

Expansion Device	C-V
------------------	-----

Fan Blade Diameter	275 mm
--------------------	--------

Fankit	34W 275/31/5B	1996588
--------	---------------	---------

MECHANICAL DATA

Air Flow	800 m ³ /h
Height	323 mm
Receiver	2.3 L
Shaft Power	34 W
Weight	34 Kg
Width	395 mm
Length	494 mm

PERFORMANCE

TESTED CONDITIONS

Tested Refrigerant	R-452A
Tested Application	LBP
Tested Standard	EN13215_RG20

RATED POINTS

Ambient Temperature °C	Evaporating Temperature °C	Cooling Capacity W	Efficiency W/W	Consumo de Potencia W
32	-35	583	0.96	605

Test Condition: Subcooling 3 K, Return Gas 20 °C.

PERFORMANCE CURVE

Ambient Temperature 25°C

Evaporating Temperature °C	Cooling Capacity W	Efficiency W/W	Consumo de Potencia W
-40	513	1.01	510
-30	821	1.22	674
-25	1046	1.36	769
-20	1316	1.52	869
-15	1632	1.68	973
-10	1991	1.85	1078

Test Condition: Subcooling 3 K, Return Gas 20 °C.

PERFORMANCE CURVE

Ambient Temperature 32°C

Evaporating Temperature °C	Cooling Capacity W	Efficiency W/W	Consumo de Potencia W
-40	459	0.88	523
-30	749	1.08	696
-25	955	1.20	794
-20	1202	1.34	898
-15	1487	1.48	1005
-10	1810	1.63	1112

Test Condition: Subcooling 3 K, Return Gas 20 °C.

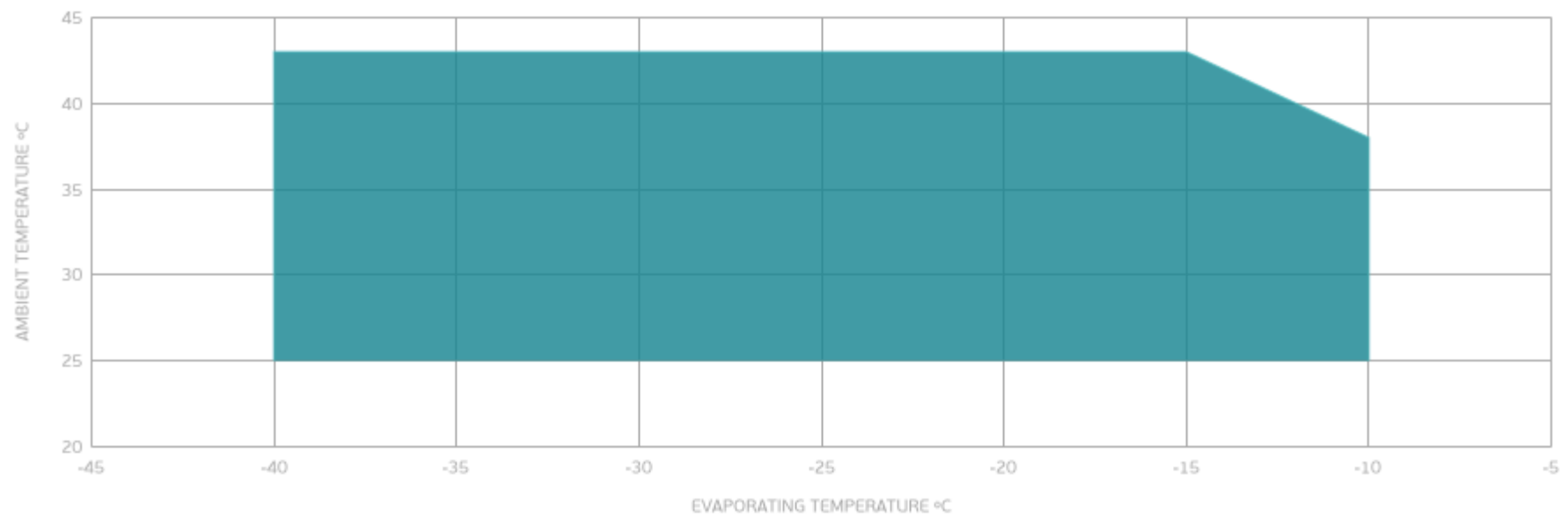
PERFORMANCE CURVE

Ambient Temperature 43°C

Evaporating Temperature °C	Cooling Capacity W	Efficiency W/W	Consumo de Potencia W
-40	401	0.78	512
-30	720	1.00	717
-25	927	1.12	830
-20	1164	1.23	947
-15	1431	1.34	1066

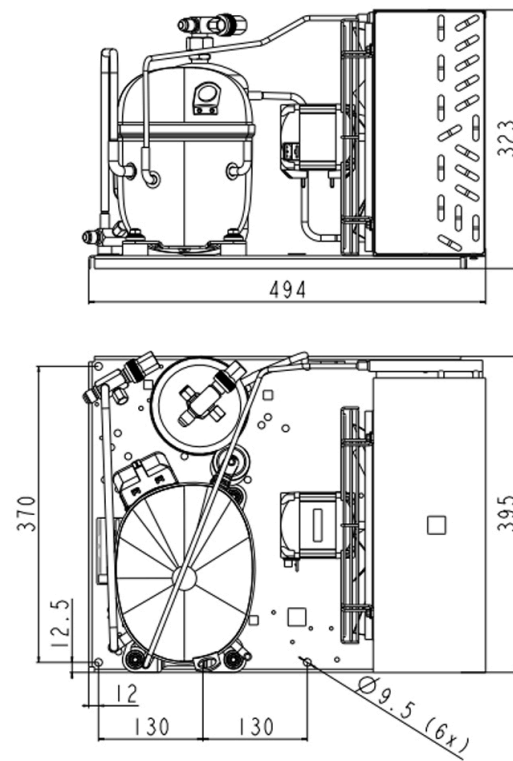
Test Condition: Subcooling 3 K, Return Gas 20 °C.

ENVELOPE



■ OPERATING CONDITION

EXTERNAL DIMENSIONS



WIRING DIAGRAM

