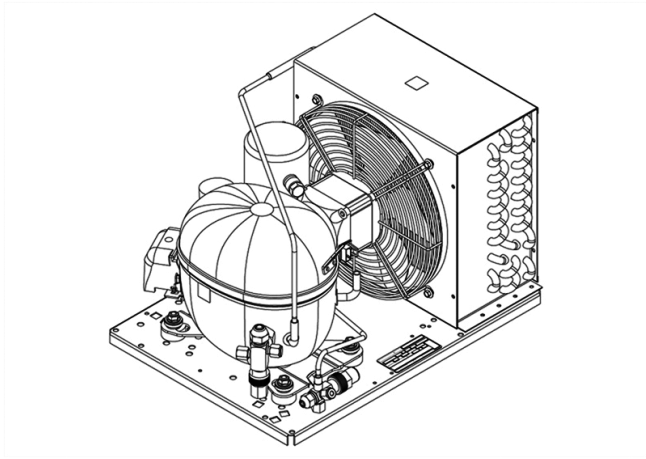


UNT2178GK



**ENGINEERING CODE**  
502EA5212AA

**REFRIGERANT**  
R-452A

**POWER SUPPLY**  
220-240 V 50 Hz

**APPLICATION**  
LBP

**MOTOR TYPE**  
CSIR

**STANDARD**  
EN13215\_RG20

**COOLING CAPACITY**  
443 W

**EFFICIENCY**  
0.97 W/W

CE

ECODESIGN  
COMPLIANT

DATA

GENERAL DATA

**Model** UNT2178GK

ELECTRICAL DATA

**Locked Rotor Amperage (LRA)** 25.00 A

**Rated Load Amperage (RLA)** 4.24 A

**Maximum Overcurrent Protection (MOP)** 9.54 A

**Minimum Current Ampacity (MCA)** 5.3 A

ACCESSORIES

**Discharge valve** FLARE 1/4" 2110025

**Suction valve** FLARE 3/8" 2110056

CONDENSING COMPONENTS

**Compressor** NT2178GK LBP

**Condenser** 4R11T 2451217

**Refrigerant** R-404A

**Expansion Device** C-V

**Fan Blade Diameter** 254 mm

**Fankit** 16W 254/28/5B 1996579

## MECHANICAL DATA

Air Flow	460 m <sup>3</sup> /h
Height	296 mm
Receiver	1.2 L
Shaft Power	16 W
Weight	28 Kg
Width	340 mm
Length	474 mm

## PERFORMANCE

### TESTED CONDITIONS

Tested Refrigerant	R-452A
Tested Application	LBP
Tested Standard	EN13215_RG20

### RATED POINTS

Ambient Temperature °C	Evaporating Temperature °C	Cooling Capacity W	Efficiency W/W	Consumo de Potencia W
32	-35	443	0.97	456

Test Condition: Subcooling 3 K, Return Gas 20 °C.

### PERFORMANCE CURVE

Ambient Temperature 25°C

Evaporating Temperature °C	Cooling Capacity W	Efficiency W/W	Consumo de Potencia W
-40	422	1.04	407
-30	644	1.24	519
-25	805	1.36	590
-20	998	1.49	670
-15	1221	1.61	756
-10	1473	1.74	848

Test Condition: Subcooling 3 K, Return Gas 20 °C.

**PERFORMANCE CURVE**

Ambient Temperature 32°C

Evaporating Temperature °C	Cooling Capacity W	Efficiency W/W	Consumo de Potencia W
-40	352	0.88	398
-30	565	1.07	526
-25	714	1.18	605
-20	890	1.28	693
-15	1091	1.39	787
-10	1315	1.48	886

Test Condition: Subcooling 3 K, Return Gas 20 °C.

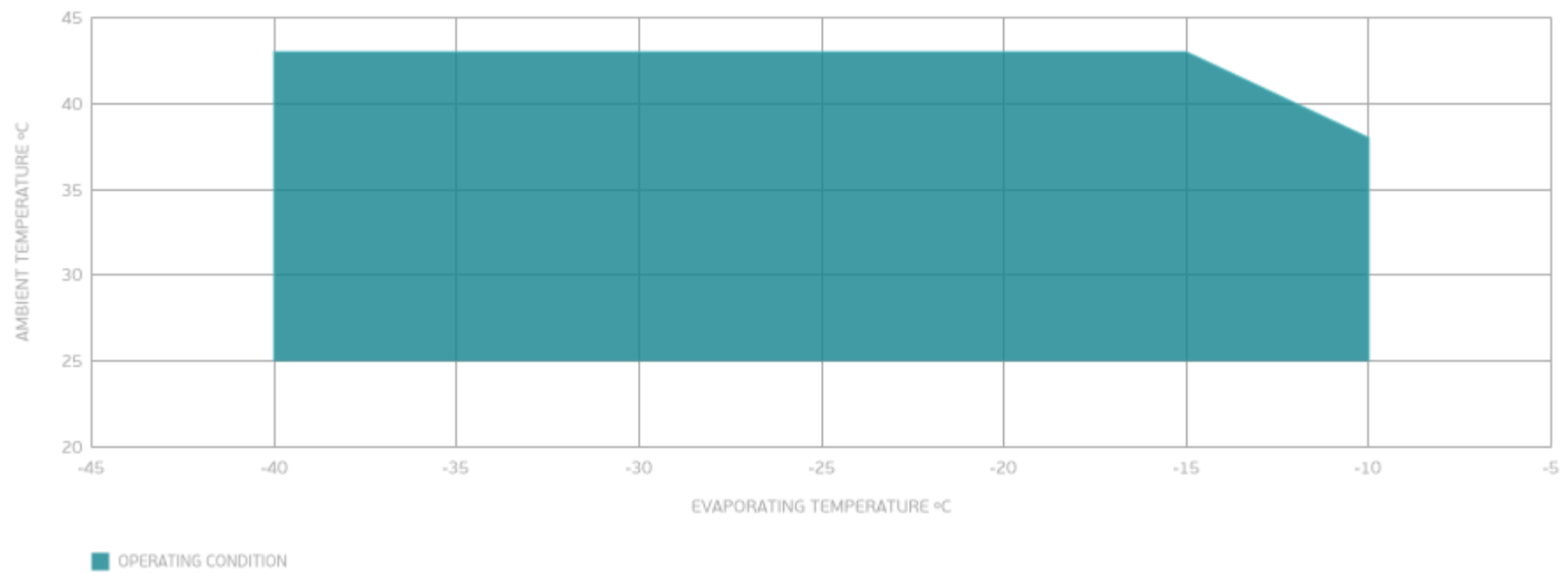
**PERFORMANCE CURVE**

Ambient Temperature 43°C

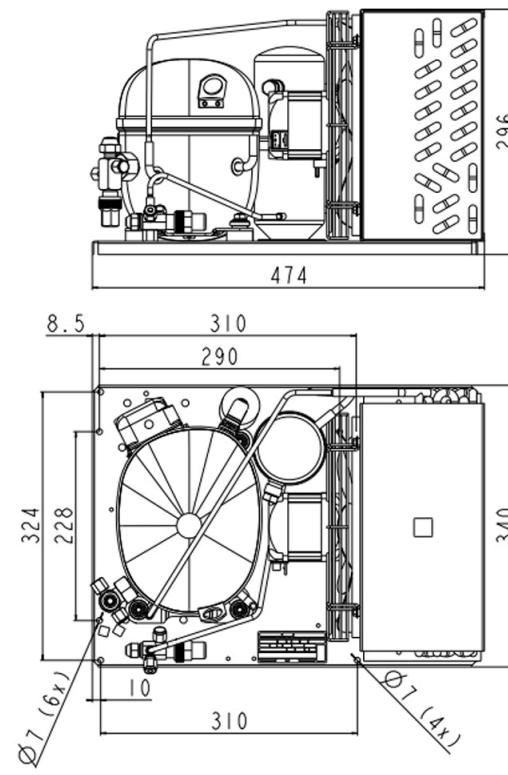
Evaporating Temperature °C	Cooling Capacity W	Efficiency W/W	Consumo de Potencia W
-40	226	0.59	385
-30	407	0.76	538
-25	527	0.84	630
-20	666	0.91	729
-15	823	0.99	835

Test Condition: Subcooling 3 K, Return Gas 20 °C.

**ENVELOPE**



## EXTERNAL DIMENSIONS



## WIRING DIAGRAM

