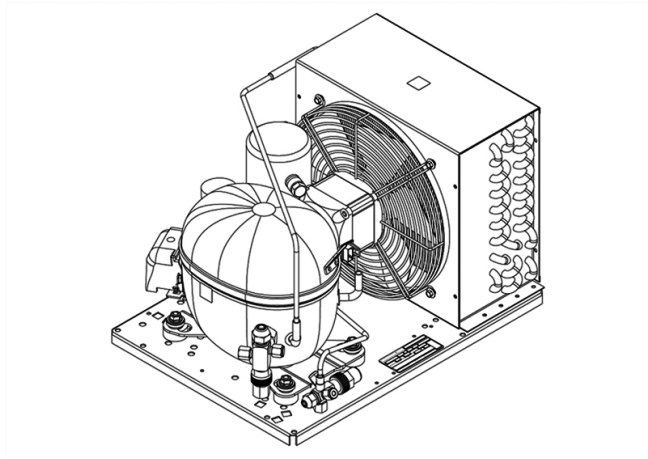


## UNT2178GK



CE


**ENGINEERING CODE**  
502EA5212AA

**REFRIGERANT**  
R-404A

**POWER SUPPLY**  
220-240 V 50 Hz

**APPLICATION**  
LBP

**MOTOR TYPE**  
CSIR

**STANDARD**  
EN13215\_RG20

**COOLING CAPACITY**  
453 W

**EFFICIENCY**  
0.95 W/W

## DATA

## GENERAL DATA

Model	UNT2178GK
-------	-----------

## ELECTRICAL DATA

Locked Rotor Amperage (LRA)	25.00 A
-----------------------------	---------

Rated Load Amperage (RLA)	4.24 A
---------------------------	--------

Maximum Overcurrent Protection (MOP)	9.54 A
--------------------------------------	--------

Minimum Current Ampacity (MCA)	5.3 A
--------------------------------	-------

## ACCESSORIES

Discharge valve	FLARE 1/4"	2110025
-----------------	------------	---------

Suction valve	FLARE 3/8"	2110056
---------------	------------	---------

## CONDENSING COMPONENTS

Compressor	NT2178GK	LBP
------------	----------	-----

Condenser	4R11T	2451217
-----------	-------	---------

Refrigerant	R-404A
-------------	--------

Expansion Device	C-V
------------------	-----

Fan Blade Diameter	254 mm
--------------------	--------

Fankit	16W 254/28/5B	1996579
--------	---------------	---------

## MECHANICAL DATA

Air Flow	460 m <sup>3</sup> /h
Height	296 mm
Receiver	1.2 L
Shaft Power	16 W
Weight	28 Kg
Width	340 mm
Length	474 mm

## PERFORMANCE

### TESTED CONDITIONS

Tested Refrigerant	R-404A
Tested Application	LBP
Tested Standard	EN13215_RG20

### RATED POINTS

Ambient Temperature °C	Evaporating Temperature °C	Cooling Capacity W	Efficiency W/W	Consumo de Potencia W
32	-35	453	0.95	477

Test Condition: Subcooling 3 K, Return Gas 20 °C.

### PERFORMANCE CURVE

Ambient Temperature 25°C

Evaporating Temperature °C	Cooling Capacity W	Efficiency W/W	Consumo de Potencia W
-40	398	0.95	418
-30	671	1.24	542
-25	840	1.37	613
-20	1031	1.49	690
-15	1245	1.61	774
-10	1480	1.71	864

Test Condition: Subcooling 3 K, Return Gas 20 °C.

## PERFORMANCE CURVE

Ambient Temperature 32°C

Evaporating Temperature °C	Cooling Capacity W	Efficiency W/W	Consumo de Potencia W
-40	339	0.82	413
-30	587	1.07	548
-25	740	1.18	626
-20	915	1.29	711
-15	1109	1.38	804
-10	1323	1.46	903

Test Condition: Subcooling 3 K, Return Gas 20 °C.

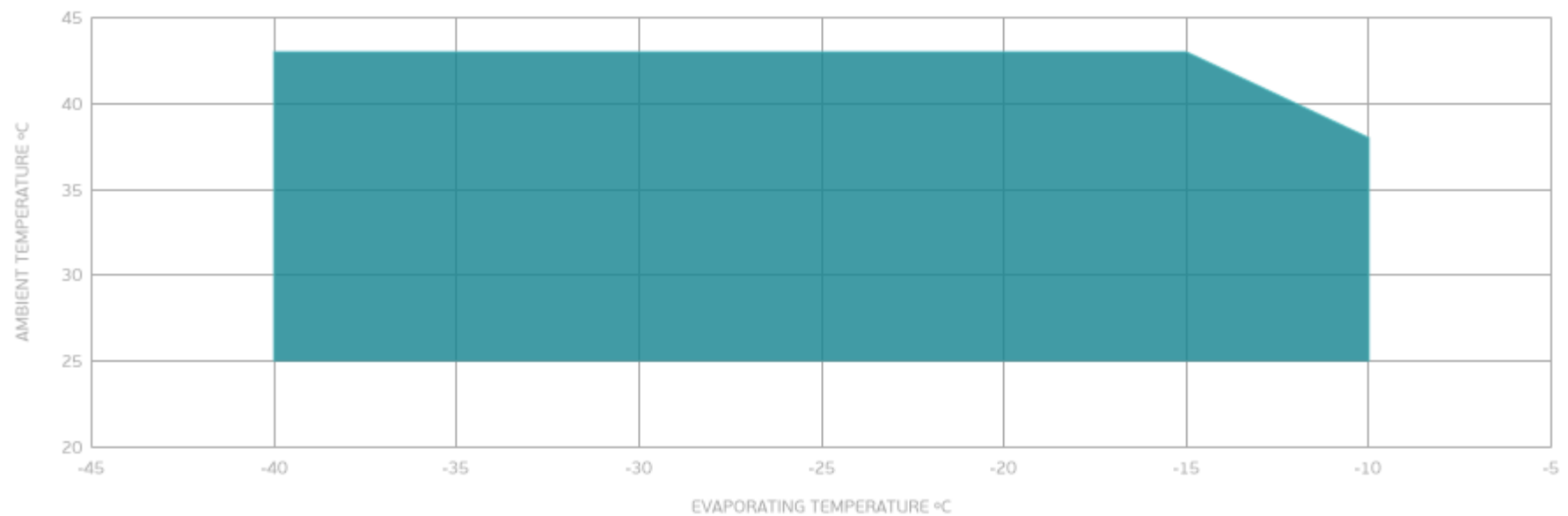
## PERFORMANCE CURVE

Ambient Temperature 43°C

Evaporating Temperature °C	Cooling Capacity W	Efficiency W/W	Consumo de Potencia W
-40	234	0.57	409
-30	426	0.76	563
-25	547	0.84	653
-20	686	0.91	752
-15	842	0.98	860

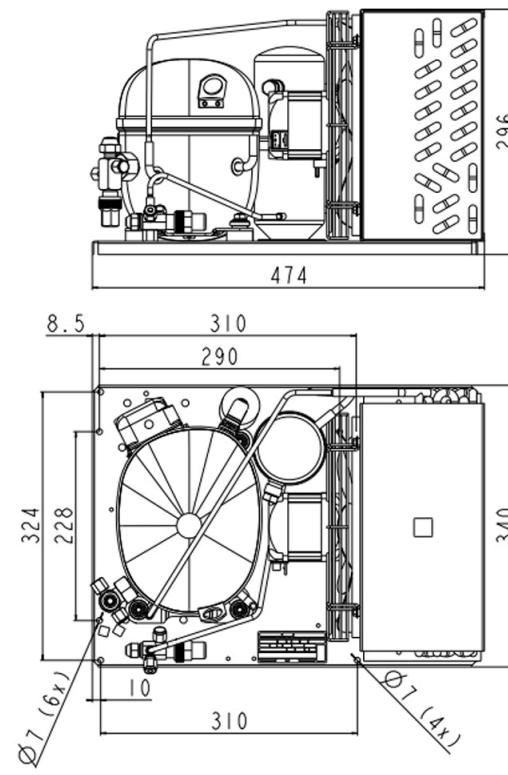
Test Condition: Subcooling 3 K, Return Gas 20 °C.

## ENVELOPE



■ OPERATING CONDITION

## EXTERNAL DIMENSIONS



## WIRING DIAGRAM

