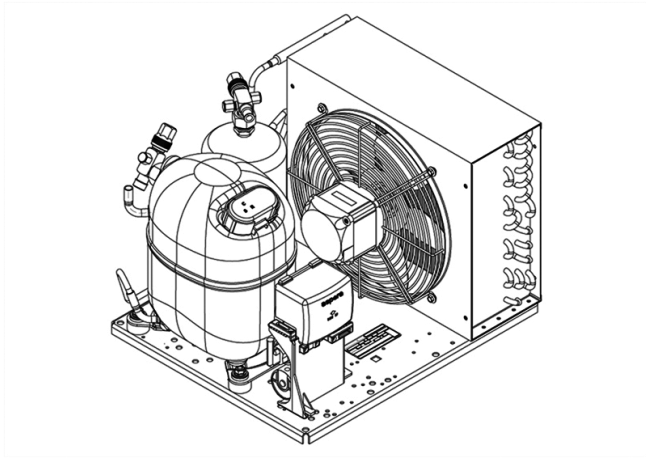


UNJ6226Z



ENGINEERING CODE
642HA5604AA



REFRIGERANT
R-513A



POWER SUPPLY
220-240 V 50 Hz



APPLICATION
HBP



MOTOR TYPE
CSR



STANDARD
EN13215_RG20



COOLING CAPACITY
1599 W



EFFICIENCY
1.66 W/W

CE

ECODESIGN
COMPLIANT

DATA

GENERAL DATA

Model UNJ6226Z

ELECTRICAL DATA

Locked Rotor Amperage (LRA) 31.00 A

Rated Load Amperage (RLA) 6.75 A

Maximum Overcurrent Protection (MOP) 15.19 A

Minimum Current Ampacity (MCA) 8.4 A

ACCESSORIES

Discharge valve SOLDER 3/8" 2110049

Suction valve SOLDER 5/8" 2110054

CONDENSING COMPONENTS

Compressor NJ6226Z M/HBP

Condenser 3R12T 2451140

Refrigerant R-134a

Expansion Device C-V

Fan Blade Diameter 275 mm

Fankit 34W 275/31/5B 1996583

MECHANICAL DATA

Air Flow	640 m ³ /h
Height	324 mm
Receiver	2.3 L
Shaft Power	34 W
Weight	37 Kg
Width	410 mm
Length	481 mm

PERFORMANCE

TESTED CONDITIONS

Tested Refrigerant	R-513A
Tested Application	HBP
Tested Standard	EN13215_RG20

RATED POINTS

Ambient Temperature °C	Evaporating Temperature °C	Cooling Capacity W	Efficiency W/W	Consumo de Potencia W
32	-10	1599	1.66	961

Test Condition: Subcooling 3 K, Return Gas 20 °C.

PERFORMANCE CURVE

Ambient Temperature 25°C

Evaporating Temperature °C	Cooling Capacity W	Efficiency W/W	Consumo de Potencia W
-15	1421	1.71	829
-5	2129	2.02	1052
0	2492	2.10	1189
5	2861	2.13	1341
10	3232	2.14	1507

Test Condition: Subcooling 3 K, Return Gas 20 °C.

PERFORMANCE CURVE

Ambient Temperature 32°C

Evaporating Temperature °C	Cooling Capacity W	Efficiency W/W	Consumo de Potencia W
-15	1287	1.51	854
-5	1920	1.77	1085
0	2248	1.84	1225
5	2583	1.87	1380
10	2922	1.89	1549

Test Condition: Subcooling 3 K, Return Gas 20 °C.

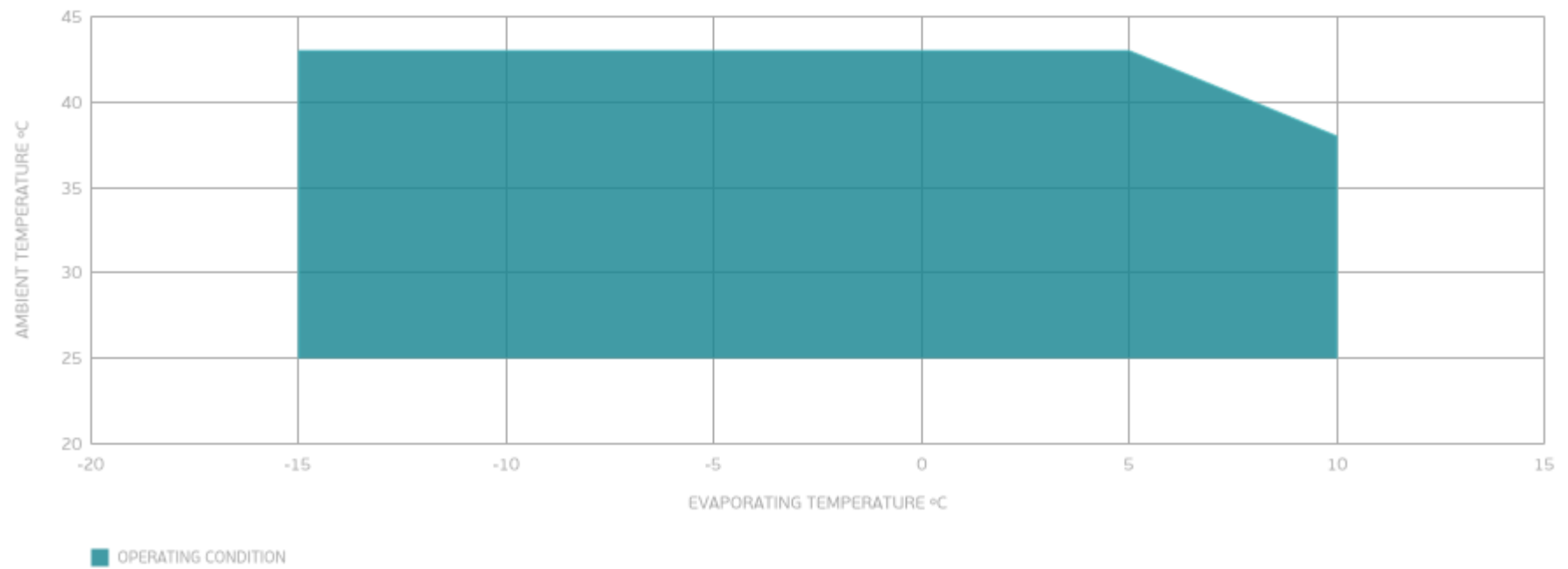
PERFORMANCE CURVE

Ambient Temperature 43°C

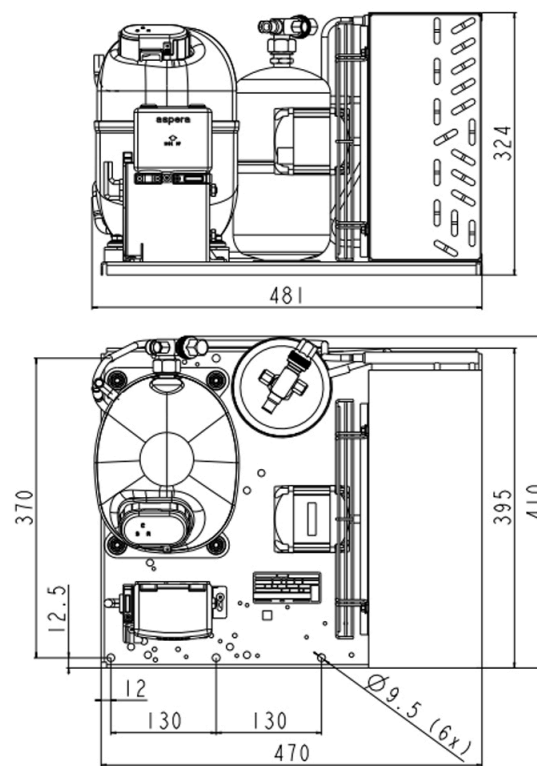
Evaporating Temperature °C	Cooling Capacity W	Efficiency W/W	Consumo de Potencia W
-15	1083	1.22	889
-5	1627	1.41	1156
0	1914	1.46	1314
5	2209	1.49	1486

Test Condition: Subcooling 3 K, Return Gas 20 °C.

ENVELOPE



EXTERNAL DIMENSIONS



WIRING DIAGRAM

