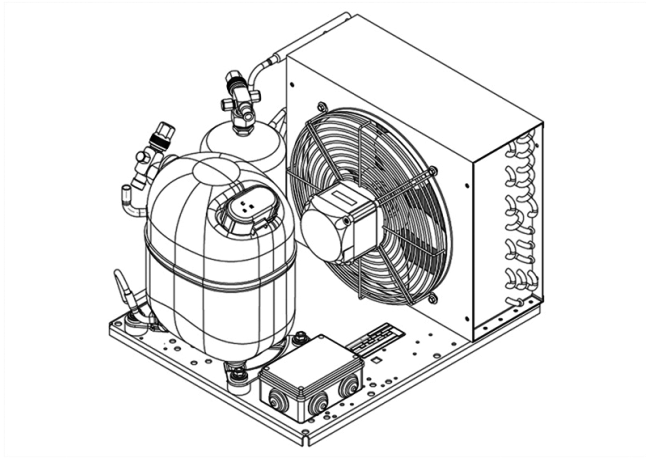


UNJ6226ZX



ENGINEERING CODE
546EM5603AA



REFRIGERANT
R-134a



POWER SUPPLY
380-420 V 50 Hz



APPLICATION
HBP



MOTOR TYPE
3PH



STANDARD
EN13215_RG20



COOLING CAPACITY
1566 W



EFFICIENCY
1.77 W/W

CE

ECODESIGN COMPLIANT

DATA

GENERAL DATA

Model UNJ6226ZX

ELECTRICAL DATA

Locked Rotor Amperage (LRA) 13.70 A

Rated Load Amperage (RLA) 2.75 A

Maximum Overcurrent Protection (MOP) 6.19 A

Minimum Current Ampacity (MCA) 3.4 A

ACCESSORIES

Discharge valve SOLDER 3/8" 2110049

Suction valve SOLDER 5/8" 2110054

CONDENSING COMPONENTS

Compressor NJ6226ZX M/HBP

Condenser 3R12T 2451140

Refrigerant R-134a

Expansion Device C-V

Fan Blade Diameter 275 mm

Fankit 34W/400V 275/31 1996582

MECHANICAL DATA

Air Flow	640 m ³ /h
Height	324 mm
Receiver	2.3 L
Shaft Power	34 W
Weight	37 Kg
Width	410 mm
Length	481 mm

PERFORMANCE

TESTED CONDITIONS

Tested Refrigerant	R-134a
Tested Application	HBP
Tested Standard	EN13215_RG20

RATED POINTS

Ambient Temperature °C	Evaporating Temperature °C	Cooling Capacity W	Efficiency W/W	Consumo de Potencia W
32	-10	1566	1.77	884

Test Condition: Subcooling 3 K, Return Gas 20 °C.

PERFORMANCE CURVE

Ambient Temperature 25°C

Evaporating Temperature °C	Cooling Capacity W	Efficiency W/W	Consumo de Potencia W
-15	1379	1.82	759
-5	2006	2.05	977
0	2328	2.11	1106
5	2809	2.30	1222
10	3560	2.72	1310

Test Condition: Subcooling 3 K, Return Gas 20 °C.

PERFORMANCE CURVE

Ambient Temperature 32°C

Evaporating Temperature °C	Cooling Capacity W	Efficiency W/W	Consumo de Potencia W
-15	1271	1.63	780
-5	1799	1.78	1011
0	2083	1.82	1142
5	2531	2.01	1261
10	3257	2.41	1349

Test Condition: Subcooling 3 K, Return Gas 20 °C.

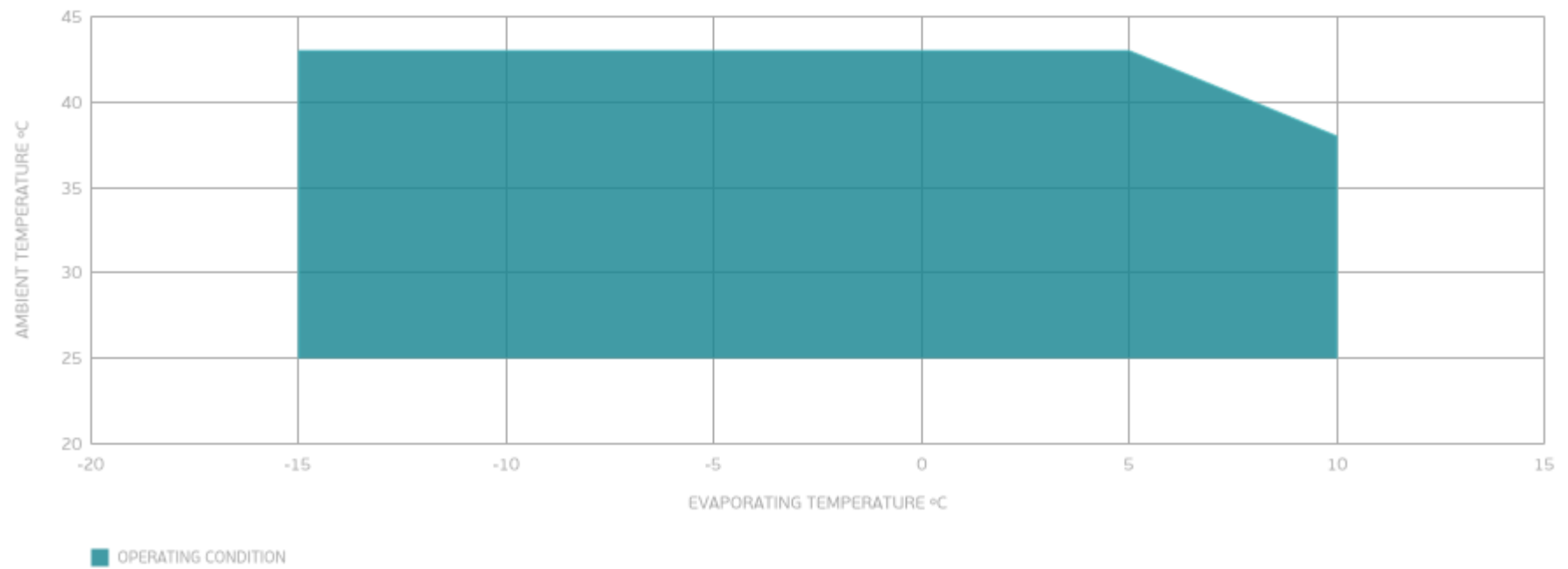
PERFORMANCE CURVE

Ambient Temperature 43°C

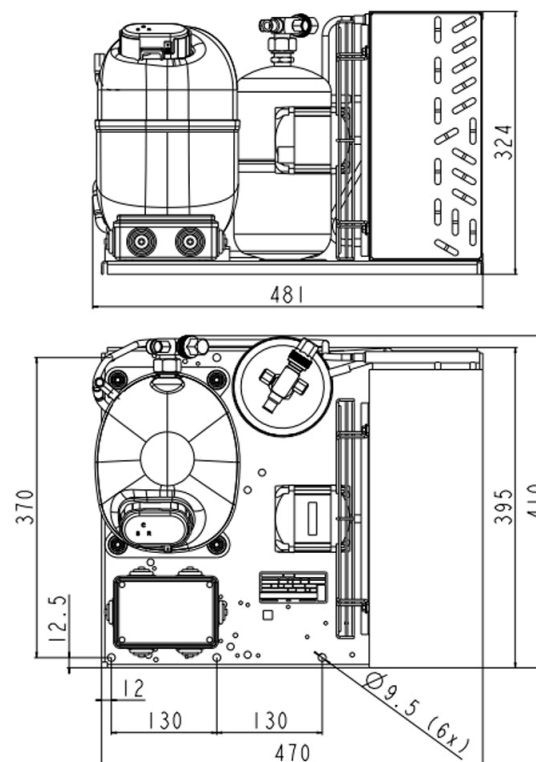
Evaporating Temperature °C	Cooling Capacity W	Efficiency W/W	Consumo de Potencia W
-15	1068	1.29	827
-5	1540	1.44	1071
0	1811	1.50	1205
5	2257	1.71	1323

Test Condition: Subcooling 3 K, Return Gas 20 °C.

ENVELOPE



EXTERNAL DIMENSIONS



WIRING DIAGRAM

