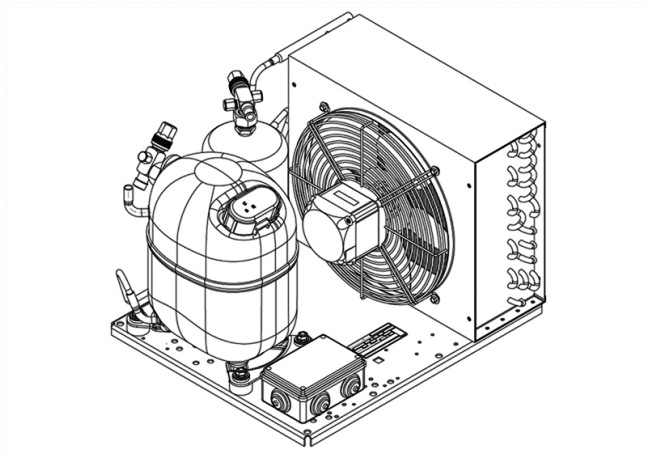


UNJ2212GS



CE



ENGINEERING CODE
647AM5603AA

REFRIGERANT
R-452A

POWER SUPPLY
380-420 V 50 Hz

APPLICATION
LBP

MOTOR TYPE
3PH

STANDARD
EN13215_RG20

COOLING CAPACITY
853 W

EFFICIENCY
1.18 W/W

DATA

GENERAL DATA

Model	UNJ2212GS
-------	-----------

ELECTRICAL DATA

Locked Rotor Amperage (LRA)	13.00 A
-----------------------------	---------

Rated Load Amperage (RLA)	2.38 A
---------------------------	--------

Maximum Overcurrent Protection (MOP)	5.35 A
--------------------------------------	--------

Minimum Current Ampacity (MCA)	3.0 A
--------------------------------	-------

ACCESSORIES

Discharge valve	SOLDER 3/8"	2110049
-----------------	-------------	---------

Suction valve	SOLDER 5/8"	2110054
---------------	-------------	---------

CONDENSING COMPONENTS

Compressor	NJ2212GS	LBP
------------	----------	-----

Condenser	3R12T	2451140
-----------	-------	---------

Refrigerant	R-404A
-------------	--------

Expansion Device	C-V
------------------	-----

Fan Blade Diameter	275 mm
--------------------	--------

Fankit	34W/400V 275/31	1996582
--------	-----------------	---------

MECHANICAL DATA

Air Flow	800 m³/h
Height	324 mm
Receiver	2.3 L
Shaft Power	34 W
Weight	38 Kg
Width	410 mm
Length	481 mm

PERFORMANCE

TESTED CONDITIONS

Tested Refrigerant	R-452A
Tested Application	LBP
Tested Standard	EN13215_RG20

RATED POINTS

Ambient Temperature °C	Evaporating Temperature °C	Cooling Capacity W	Efficiency W/W	Consumo de Potencia W
32	-35	853	1.18	723

Test Condition: Subcooling 3 K, Return Gas 20 °C.

PERFORMANCE CURVE

Ambient Temperature 25°C

Evaporating Temperature °C	Cooling Capacity W	Efficiency W/W	Consumo de Potencia W
-40	647	1.12	577
-30	1218	1.40	869
-25	1511	1.48	1024
-20	1801	1.51	1189
-15	2083	1.52	1367
-10	2352	1.51	1560

Test Condition: Subcooling 3 K, Return Gas 20 °C.

PERFORMANCE CURVE

Ambient Temperature 32°C

Evaporating Temperature °C	Cooling Capacity W	Efficiency W/W	Consumo de Potencia W
-40	650	1.15	565
-30	1070	1.21	887
-25	1295	1.22	1062
-20	1524	1.22	1250
-15	1750	1.20	1453
-10	1969	1.17	1676

Test Condition: Subcooling 3 K, Return Gas 20 °C.

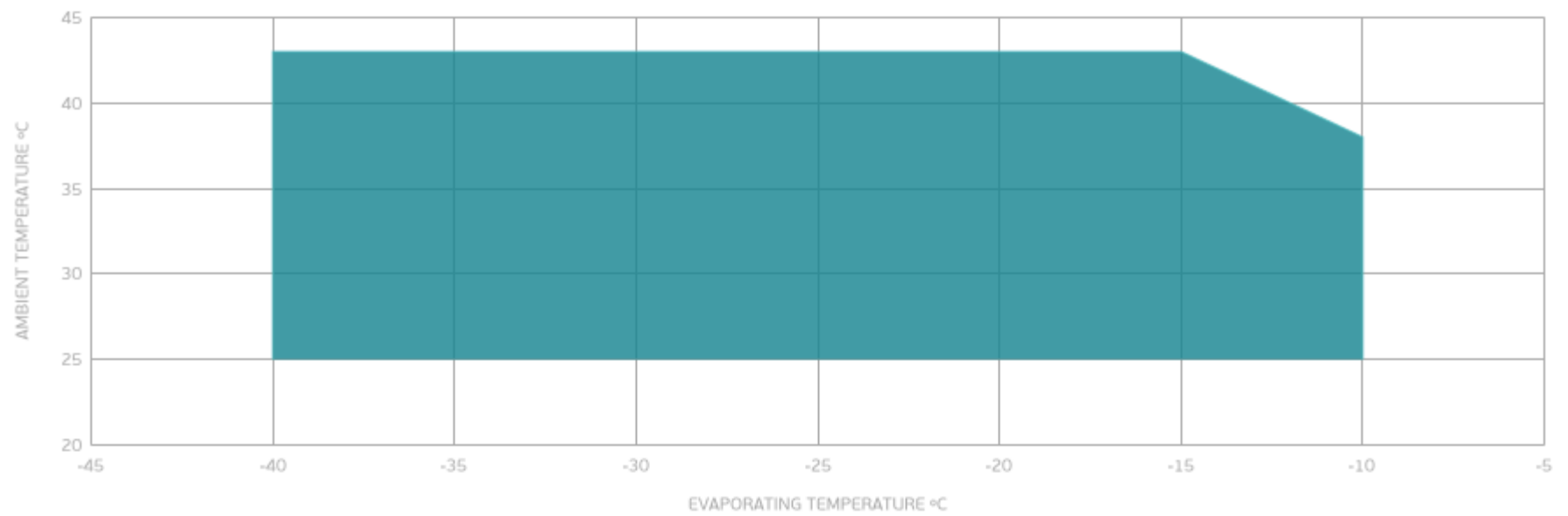
PERFORMANCE CURVE

Ambient Temperature 43°C

Evaporating Temperature °C	Cooling Capacity W	Efficiency W/W	Consumo de Potencia W
-40	374	0.68	549
-30	774	0.91	848
-25	1003	0.99	1018
-20	1245	1.03	1206
-15	1493	1.06	1415

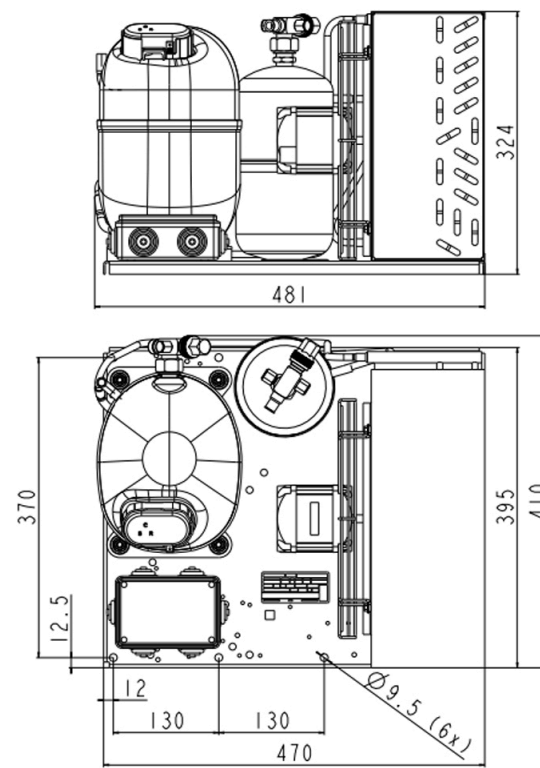
Test Condition: Subcooling 3 K, Return Gas 20 °C.

ENVELOPE



■ OPERATING CONDITION

EXTERNAL DIMENSIONS



WIRING DIAGRAM

