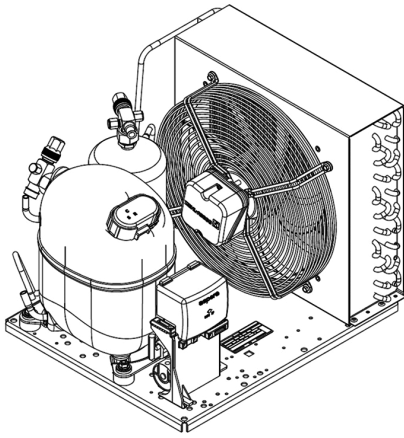


UNJ2192GJ



ENGINEERING CODE
543CA5604AA



REFRIGERANT
R-452A



POWER SUPPLY
220-240 V 50 Hz



APPLICATION
LBP



MOTOR TYPE
CSR



STANDARD
EN13215_RG20

CE




COOLING CAPACITY
667 W



EFFICIENCY
1.05 W/W

DATA

GENERAL DATA

Model UNJ2192GJ

ELECTRICAL DATA

Locked Rotor Amperage (LRA) 26.00 A

Rated Load Amperage (RLA) 6.90 A

Maximum Overcurrent Protection (MOP) 15.53 A

Minimum Current Ampacity (MCA) 8.6 A

ACCESSORIES

Discharge valve SOLDER 3/8" 2110049

Suction valve SOLDER 1/2" 2110050

CONDENSING COMPONENTS

Compressor NJ2192GJ LBP

Condenser 3R12T 2451140

Refrigerant R-404A

Expansion Device C-V

Fan Blade Diameter 275 mm

Fankit 34W 275/31/5B 1996583

MECHANICAL DATA

Air Flow	800 m ³ /h
Height	324 mm
Receiver	2.3 L
Shaft Power	34 W
Weight	38 Kg
Width	410 mm
Length	481 mm

PERFORMANCE

TESTED CONDITIONS

Tested Refrigerant	R-452A
Tested Application	LBP
Tested Standard	EN13215_RG20

RATED POINTS

Ambient Temperature °C	Evaporating Temperature °C	Cooling Capacity W	Efficiency W/W	Consumo de Potencia W
32	-35	667	1.05	637

Test Condition: Subcooling 3 K, Return Gas 20 °C.

PERFORMANCE CURVE

Ambient Temperature 25°C

Evaporating Temperature °C	Cooling Capacity W	Efficiency W/W	Consumo de Potencia W
-40	510	0.93	548
-30	956	1.28	747
-25	1209	1.42	852
-20	1476	1.53	962
-15	1753	1.62	1079
-10	2035	1.69	1204

Test Condition: Subcooling 3 K, Return Gas 20 °C.

PERFORMANCE CURVE

Ambient Temperature 32°C

Evaporating Temperature °C	Cooling Capacity W	Efficiency W/W	Consumo de Potencia W
-40	498	0.93	534
-30	857	1.15	747
-25	1065	1.23	865
-20	1285	1.29	993
-15	1515	1.34	1131
-10	1749	1.36	1283

Test Condition: Subcooling 3 K, Return Gas 20 °C.

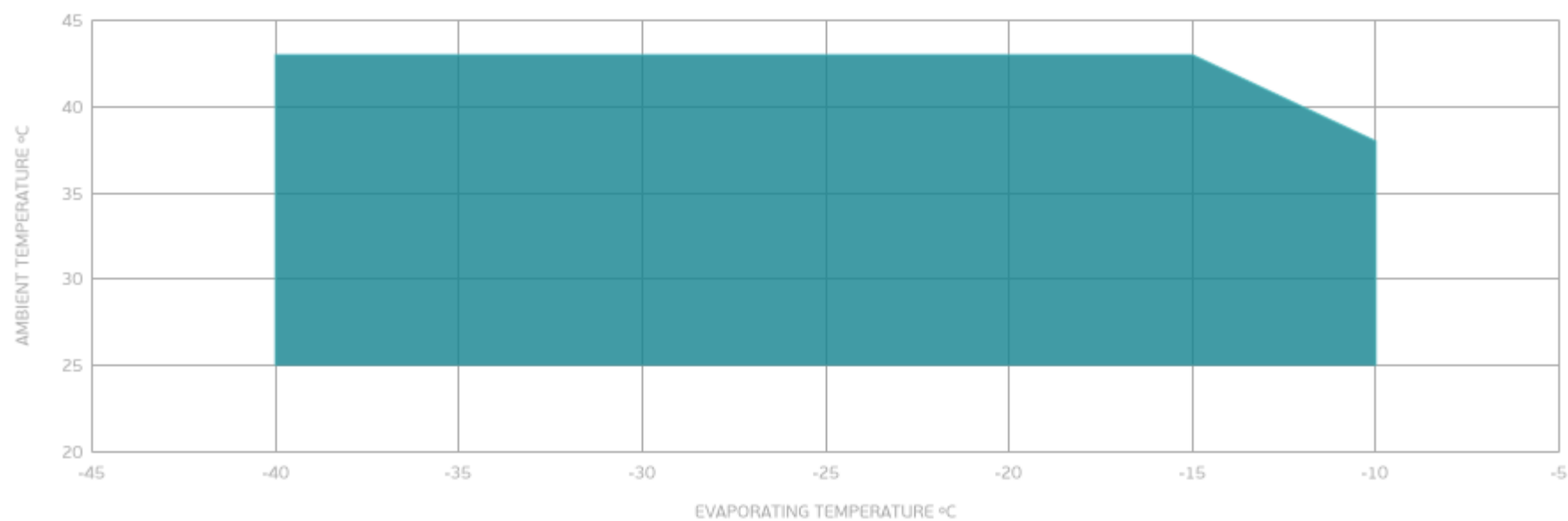
PERFORMANCE CURVE

Ambient Temperature 43°C

Evaporating Temperature °C	Cooling Capacity W	Efficiency W/W	Consumo de Potencia W
-40	272	0.53	513
-30	620	0.87	716
-25	820	0.98	839
-20	1031	1.05	977
-15	1249	1.10	1133

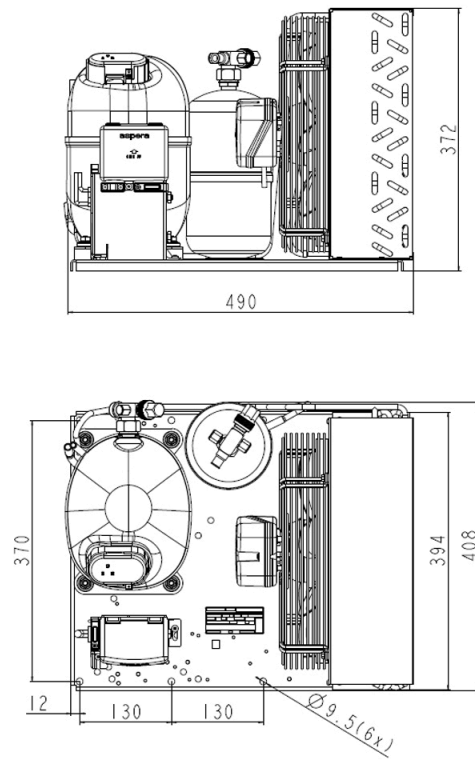
Test Condition: Subcooling 3 K, Return Gas 20 °C.

ENVELOPE



■ OPERATING CONDITION

EXTERNAL DIMENSIONS



WIRING DIAGRAM

