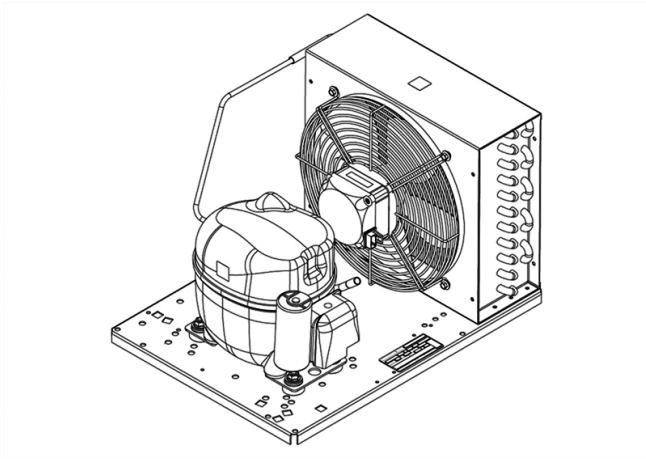


UNEK6212Z



ENGINEERING CODE
559BA5312AA



REFRIGERANT
R-134a



POWER SUPPLY
220-240 V 50 Hz



APPLICATION
HBP



MOTOR TYPE
CSIR



STANDARD
EN13215_RG20



COOLING CAPACITY
663 W



EFFICIENCY
1.49 W/W



DATA

GENERAL DATA

Model UNEK6212Z

ELECTRICAL DATA

Locked Rotor Amperage (LRA) 19.50 A

Rated Load Amperage (RLA) 3.95 A

Maximum Overcurrent Protection (MOP) 8.89 A

Minimum Current Ampacity (MCA) 4.9 A

CONDENSING COMPONENTS

Compressor NEK6212Z M/HBP

Condenser 3R11T 2451206

Refrigerant R-134a

Expansion Device C-V

Fan Blade Diameter 254 mm

Fankit 16W 254/28/5B 1996579

MECHANICAL DATA

| | |
|-------------|-----------------------|
| Air Flow | 595 m ³ /h |
| Height | 296 mm |
| Shaft Power | 16 W |
| Weight | 21 Kg |
| Width | 340 mm |
| Length | 465 mm |

PERFORMANCE

TESTED CONDITIONS

| | |
|--------------------|--------------|
| Tested Refrigerant | R-134a |
| Tested Application | HBP |
| Tested Standard | EN13215_RG20 |

RATED POINTS

| Ambient Temperature °C | Evaporating Temperature °C | Cooling Capacity W | Efficiency W/W | Consumo de Potencia W |
|------------------------|----------------------------|--------------------|----------------|-----------------------|
| 32 | -10 | 663 | 1.49 | 446 |

Test Condition: Subcooling 3 K, Return Gas 20 °C.

PERFORMANCE CURVE

Ambient Temperature 25°C

| Evaporating Temperature °C | Cooling Capacity W | Efficiency W/W | Consumo de Potencia W |
|----------------------------|--------------------|----------------|-----------------------|
| -15 | 592 | 1.52 | 391 |
| -5 | 888 | 1.86 | 479 |
| 0 | 1066 | 2.01 | 530 |
| 5 | 1264 | 2.16 | 585 |
| 10 | 1482 | 2.29 | 646 |

Test Condition: Subcooling 3 K, Return Gas 20 °C.

PERFORMANCE CURVE

Ambient Temperature 32°C

| Evaporating Temperature °C | Cooling Capacity W | Efficiency W/W | Consumo de Potencia W |
|----------------------------|--------------------|----------------|-----------------------|
| -15 | 540 | 1.34 | 403 |
| -5 | 806 | 1.63 | 493 |
| 0 | 968 | 1.77 | 546 |
| 5 | 1149 | 1.90 | 604 |
| 10 | 1348 | 2.02 | 666 |

Test Condition: Subcooling 3 K, Return Gas 20 °C.

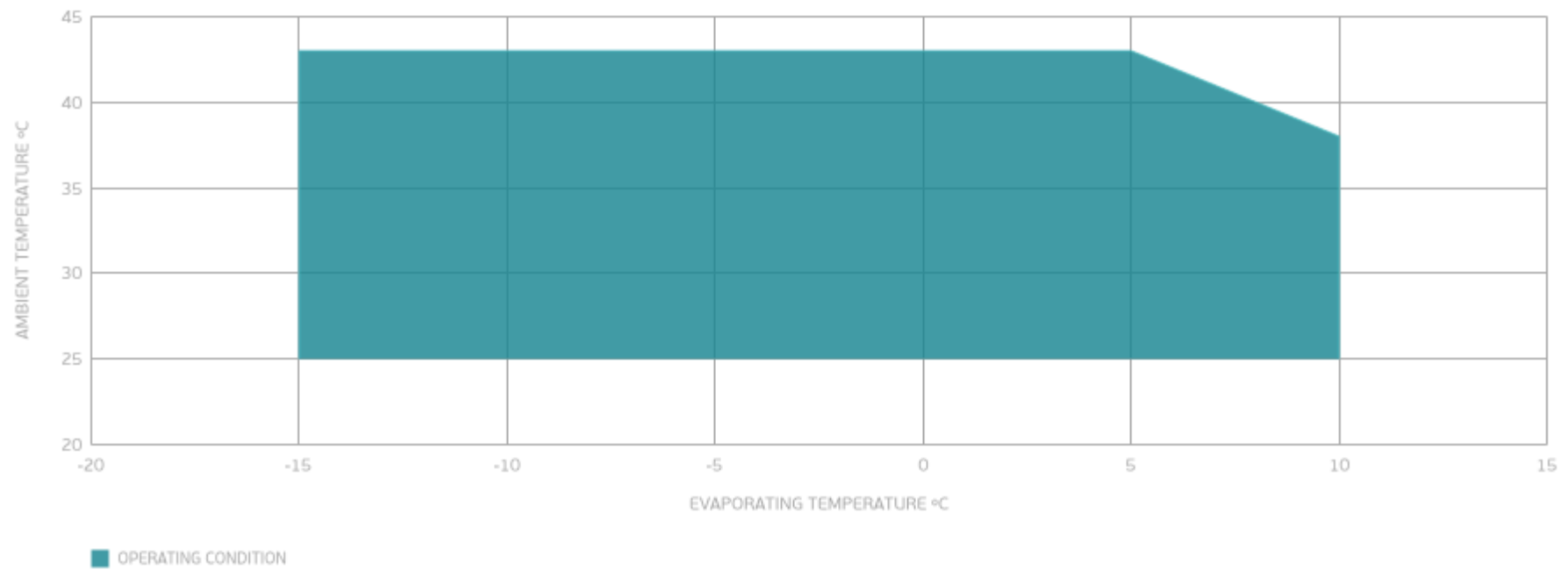
PERFORMANCE CURVE

Ambient Temperature 43°C

| Evaporating Temperature °C | Cooling Capacity W | Efficiency W/W | Consumo de Potencia W |
|----------------------------|--------------------|----------------|-----------------------|
| -15 | 449 | 1.07 | 420 |
| -5 | 690 | 1.33 | 520 |
| 0 | 837 | 1.45 | 578 |
| 5 | 1001 | 1.56 | 641 |

Test Condition: Subcooling 3 K, Return Gas 20 °C.

ENVELOPE



EXTERNAL DIMENSIONS

