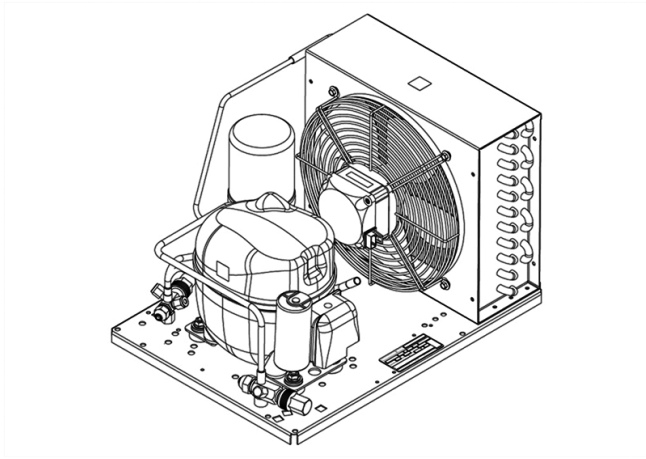


UNEK6212Z



**ENGINEERING CODE**  
559BA5212AA



**REFRIGERANT**  
R-513A



**POWER SUPPLY**  
220-240 V 50 Hz



**APPLICATION**  
HBP



**MOTOR TYPE**  
CSIR



**STANDARD**  
EN13215\_RG20



**COOLING CAPACITY**  
700 W



**EFFICIENCY**  
1.47 W/W

CE

ECODESIGN  
COMPLIANT

DATA

GENERAL DATA

**Model** UNEK6212Z

ELECTRICAL DATA

**Locked Rotor Amperage (LRA)** 19.50 A

**Rated Load Amperage (RLA)** 3.95 A

**Maximum Overcurrent Protection (MOP)** 8.89 A

**Minimum Current Ampacity (MCA)** 4.9 A

ACCESSORIES

**Discharge valve** FLARE 1/4" 2110025

**Suction valve** FLARE 3/8" 2110024

CONDENSING COMPONENTS

**Compressor** NEK6212Z M/HBP

**Condenser** 3R11T 2451206

**Refrigerant** R-134a

**Expansion Device** C-V

**Fan Blade Diameter** 254 mm

**Fankit** 16W 254/28/5B 1996579

## MECHANICAL DATA

Air Flow	595 m <sup>3</sup> /h
Height	296 mm
Receiver	1.1 L
Shaft Power	16 W
Weight	22 Kg
Width	340 mm
Length	465 mm

## PERFORMANCE

### TESTED CONDITIONS

Tested Refrigerant	R-513A
Tested Application	HBP
Tested Standard	EN13215_RG20

### RATED POINTS

Ambient Temperature °C	Evaporating Temperature °C	Cooling Capacity W	Efficiency W/W	Consumo de Potencia W
32	-10	700	1.47	475

Test Condition: Subcooling 3 K, Return Gas 20 °C.

### PERFORMANCE CURVE

Ambient Temperature 25°C

Evaporating Temperature °C	Cooling Capacity W	Efficiency W/W	Consumo de Potencia W
-15	644	1.54	418
-5	926	1.81	511
0	1094	1.94	563
5	1280	2.07	618
10	1483	2.20	675

Test Condition: Subcooling 3 K, Return Gas 20 °C.

### PERFORMANCE CURVE

Ambient Temperature 32°C

Evaporating Temperature °C	Cooling Capacity W	Efficiency W/W	Consumo de Potencia W
-15	584	1.36	429
-5	835	1.59	524
0	989	1.71	576
5	1160	1.83	632
10	1347	1.95	691

Test Condition: Subcooling 3 K, Return Gas 20 °C.

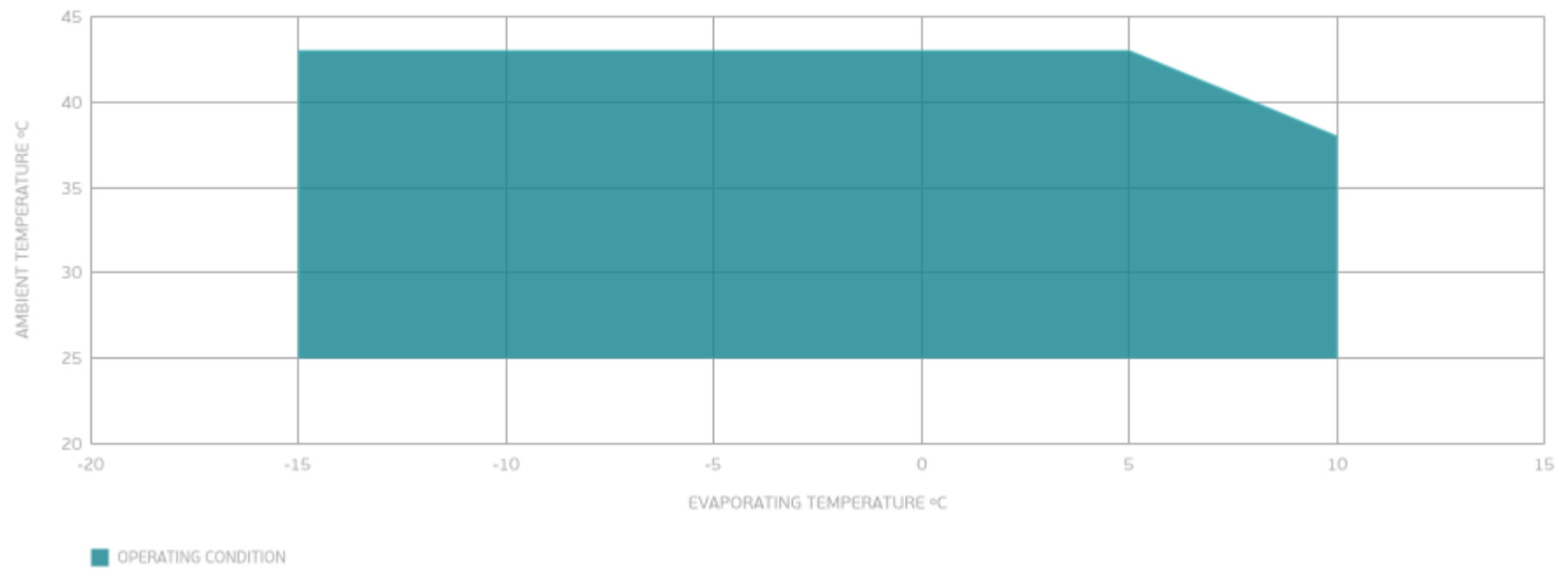
## PERFORMANCE CURVE

Ambient Temperature 43°C

Evaporating Temperature °C	Cooling Capacity W	Efficiency W/W	Consumo de Potencia W
-15	481	1.08	445
-5	712	1.30	548
0	855	1.41	605
5	1016	1.53	665

Test Condition: Subcooling 3 K, Return Gas 20 °C.

## ENVELOPE



## EXTERNAL DIMENSIONS

