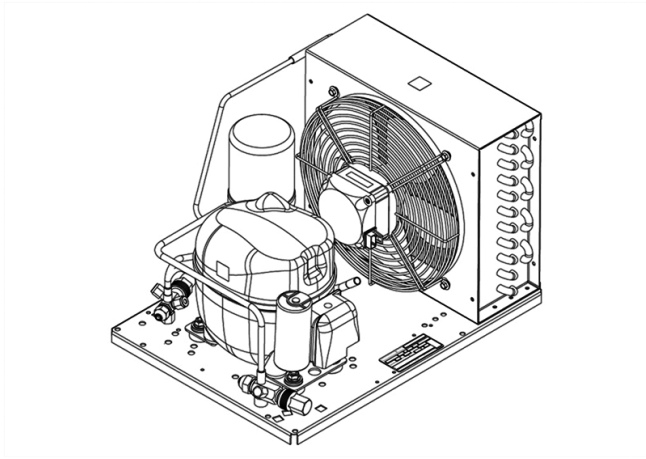


UNEK6212Z



CE


ENGINEERING CODE
559BA5212AA

REFRIGERANT
R-134a

POWER SUPPLY
220-240 V 50 Hz

APPLICATION
HBP

MOTOR TYPE
CSIR

STANDARD
EN13215_RG20

COOLING CAPACITY
663 W

EFFICIENCY
1.49 W/W

DATA

GENERAL DATA

Model	UNEK6212Z
-------	-----------

ELECTRICAL DATA

Locked Rotor Amperage (LRA)	19.50 A
-----------------------------	---------

Rated Load Amperage (RLA)	3.95 A
---------------------------	--------

Maximum Overcurrent Protection (MOP)	8.89 A
--------------------------------------	--------

Minimum Current Ampacity (MCA)	4.9 A
--------------------------------	-------

ACCESSORIES

Discharge valve	FLARE 1/4"	2110025
-----------------	------------	---------

Suction valve	FLARE 3/8"	2110024
---------------	------------	---------

CONDENSING COMPONENTS

Compressor	NEK6212Z	M/HBP
------------	----------	-------

Condenser	3R11T	2451206
-----------	-------	---------

Refrigerant	R-134a
-------------	--------

Expansion Device	C-V
------------------	-----

Fan Blade Diameter	254 mm
--------------------	--------

Fankit	16W 254/28/5B	1996579
--------	---------------	---------

MECHANICAL DATA

Air Flow	595 m ³ /h
Height	296 mm
Receiver	1.1 L
Shaft Power	16 W
Weight	22 Kg
Width	340 mm
Length	465 mm

PERFORMANCE

TESTED CONDITIONS

Tested Refrigerant	R-134a
Tested Application	HBP
Tested Standard	EN13215_RG20

RATED POINTS

Ambient Temperature °C	Evaporating Temperature °C	Cooling Capacity W	Efficiency W/W	Consumo de Potencia W
32	-10	663	1.49	446

Test Condition: Subcooling 3 K, Return Gas 20 °C.

PERFORMANCE CURVE

Ambient Temperature 25°C

Evaporating Temperature °C	Cooling Capacity W	Efficiency W/W	Consumo de Potencia W
-15	592	1.52	391
-5	888	1.86	479
0	1066	2.01	530
5	1264	2.16	585
10	1482	2.29	646

Test Condition: Subcooling 3 K, Return Gas 20 °C.

PERFORMANCE CURVE

Ambient Temperature 32°C

Evaporating Temperature °C	Cooling Capacity W	Efficiency W/W	Consumo de Potencia W
-15	540	1.34	403
-5	806	1.63	493
0	968	1.77	546
5	1149	1.90	604
10	1348	2.02	666

Test Condition: Subcooling 3 K, Return Gas 20 °C.

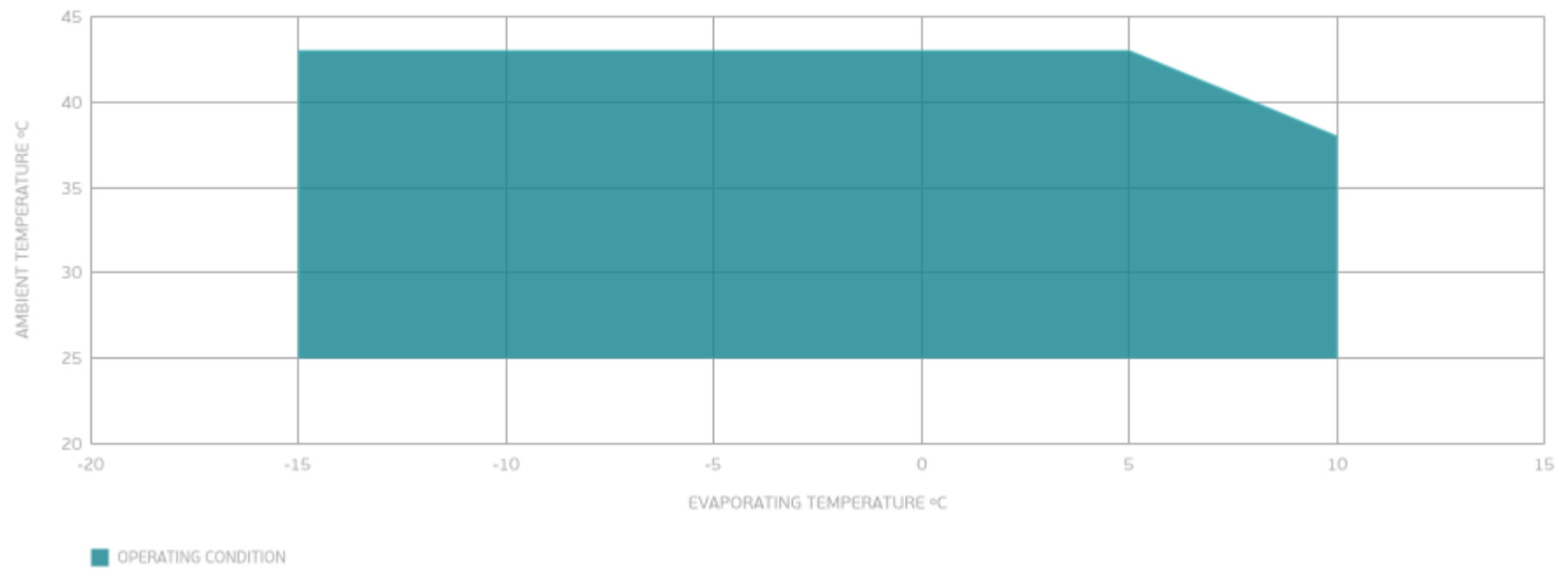
PERFORMANCE CURVE

Ambient Temperature 43°C

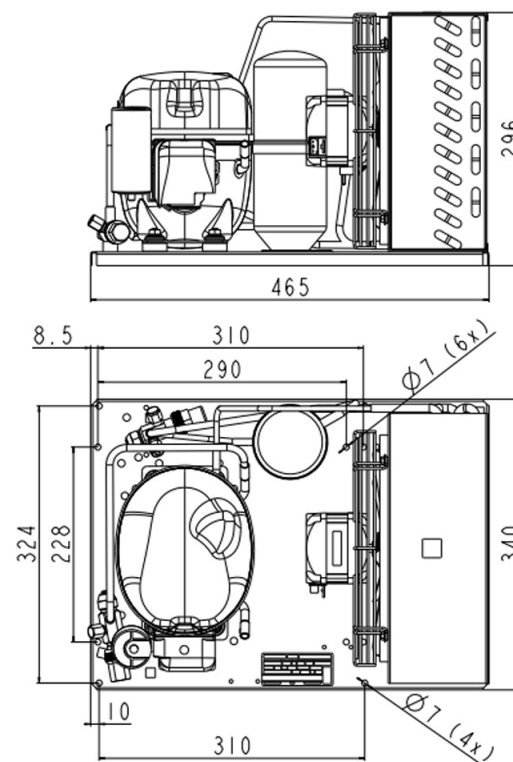
Evaporating Temperature °C	Cooling Capacity W	Efficiency W/W	Consumo de Potencia W
-15	449	1.07	420
-5	690	1.33	520
0	837	1.45	578
5	1001	1.56	641

Test Condition: Subcooling 3 K, Return Gas 20 °C.

ENVELOPE



EXTERNAL DIMENSIONS



WIRING DIAGRAM

