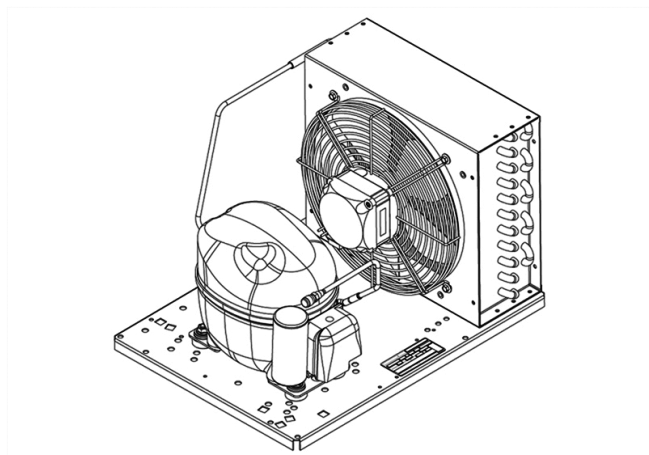


UNEK6210GK



ENGINEERING CODE
674CA8212AA



REFRIGERANT
R-449A



POWER SUPPLY
220-240 V 50 Hz



APPLICATION
HBP



MOTOR TYPE
CSIR



STANDARD
EN13215_RG20



COOLING CAPACITY
653 W



EFFICIENCY
1.46 W/W

CE

ECODESIGN
COMPLIANT

DATA

GENERAL DATA

Model	UNEK6210GK
-------	------------

ACCESSORIES

Discharge valve	FLARE 1/4"	2110085
Suction valve	FLARE 3/8"	2110059

CONDENSING COMPONENTS

Compressor	NEK6210GK	M/HBP
Condenser	3R11T	2451206
Refrigerant	R-404A	
Expansion Device	C-V	
Fan Blade Diameter	254	
Fankit	16W 254/28/5B	1996610

MECHANICAL DATA

Air Flow	595 m ³ /h
Height	296 mm
Receiver	1.1 L
Shaft Power	16
Weight	21 Kg
Width	340 mm
Length	465 mm

PERFORMANCE

TESTED CONDITIONS

Tested Refrigerant	R-449A
Tested Application	HBP
Tested Standard	EN13215_RG20

RATED POINTS

Ambient Temperature °C	Evaporating Temperature °C	Cooling Capacity W	Efficiency W/W	Consumo de Potencia W
32	-10	653	1.46	447

Test Condition: Subcooling 3 K, Return Gas 20 °C.

PERFORMANCE CURVE

Ambient Temperature 25°C

Evaporating Temperature °C	Cooling Capacity W	Efficiency W/W	Consumo de Potencia W
-20	449	1.26	356
-15	581	1.49	389
-5	878	1.92	458
0	1049	2.12	496
5	1238	2.31	536
10	1447	2.50	580

Test Condition: Subcooling 3 K, Return Gas 20 °C.

PERFORMANCE CURVE

Ambient Temperature 32°C

Evaporating Temperature °C	Cooling Capacity W	Efficiency W/W	Consumo de Potencia W
-20	414	1.11	374
-15	529	1.29	409
-5	787	1.61	488
0	934	1.75	533
5	1097	1.89	581
10	1277	2.01	635

Test Condition: Subcooling 3 K, Return Gas 20 °C.

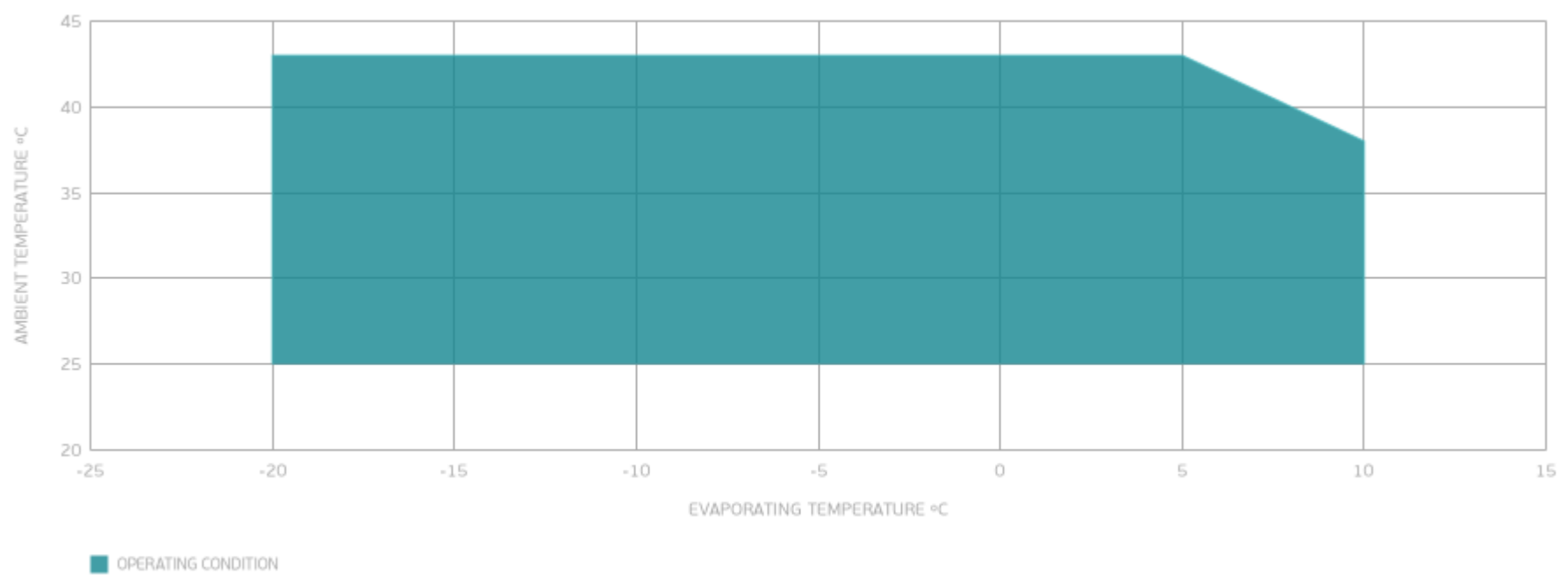
PERFORMANCE CURVE

Ambient Temperature 43°C

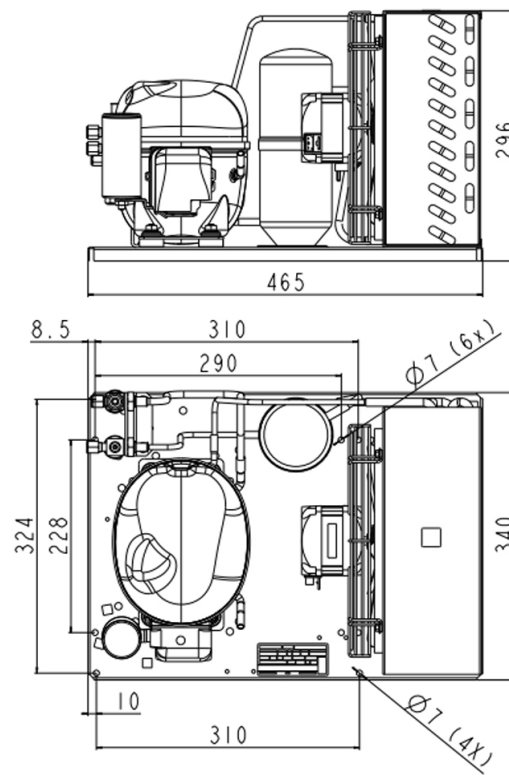
Evaporating Temperature °C	Cooling Capacity W	Efficiency W/W	Consumo de Potencia W
-20	337	0.84	400
-15	431	0.98	440
-5	633	1.18	536
0	747	1.26	593
5	873	1.33	655

Test Condition: Subcooling 3 K, Return Gas 20 °C.

ENVELOPE



EXTERNAL DIMENSIONS



WIRING DIAGRAM

