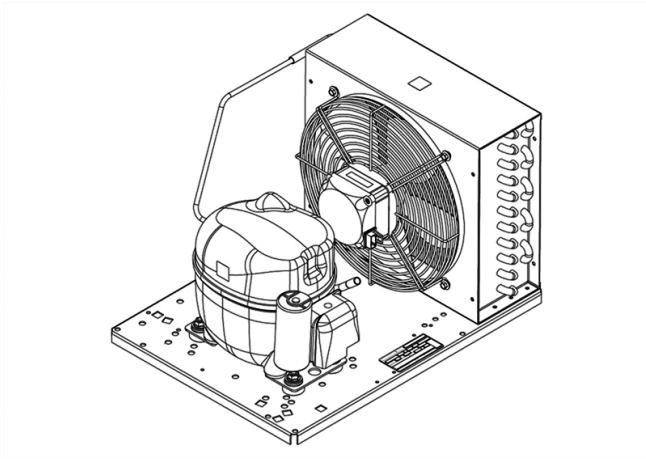


UNEK6187Z



ENGINEERING CODE
557AA5312AA



REFRIGERANT
R-513A



POWER SUPPLY
220-240 V 50 Hz



APPLICATION
HBP



MOTOR TYPE
CSIR



STANDARD
EN13215_RG20



COOLING CAPACITY
546 W



EFFICIENCY
1.6 W/W

CE

ECODESIGN
COMPLIANT

DATA

GENERAL DATA

Model UNEK6187Z

ELECTRICAL DATA

Locked Rotor Amperage (LRA) 16.10 A

Rated Load Amperage (RLA) 3.43 A

Maximum Overcurrent Protection (MOP) 7.72 A

Minimum Current Ampacity (MCA) 4.3 A

CONDENSING COMPONENTS

Compressor NEK6187Z M/HBP

Condenser 3R11T 2451206

Refrigerant R-134a

Expansion Device C-V

Fan Blade Diameter 254 mm

Fankit 16W 254/28/5B 1996610

MECHANICAL DATA

Air Flow	320 m ³ /h
Height	296 mm
Shaft Power	16 W
Weight	19 Kg
Width	340 mm
Length	465 mm

PERFORMANCE

TESTED CONDITIONS

Tested Refrigerant	R-513A
Tested Application	HBP
Tested Standard	EN13215_RG20

RATED POINTS

Ambient Temperature °C	Evaporating Temperature °C	Cooling Capacity W	Efficiency W/W	Consumo de Potencia W
32	-10	546	1.6	341

Test Condition: Subcooling 3 K, Return Gas 20 °C.

PERFORMANCE CURVE

Ambient Temperature 25°C

Evaporating Temperature °C	Cooling Capacity W	Efficiency W/W	Consumo de Potencia W
-15	496	1.62	306
-5	719	2.01	357
0	854	2.22	384
5	1005	2.44	412
10	1172	2.66	441

Test Condition: Subcooling 3 K, Return Gas 20 °C.

PERFORMANCE CURVE

Ambient Temperature 32°C

Evaporating Temperature °C	Cooling Capacity W	Efficiency W/W	Consumo de Potencia W
-15	450	1.43	314
-5	657	1.78	368
0	783	1.97	397
5	924	2.16	427
10	1080	2.36	459

Test Condition: Subcooling 3 K, Return Gas 20 °C.

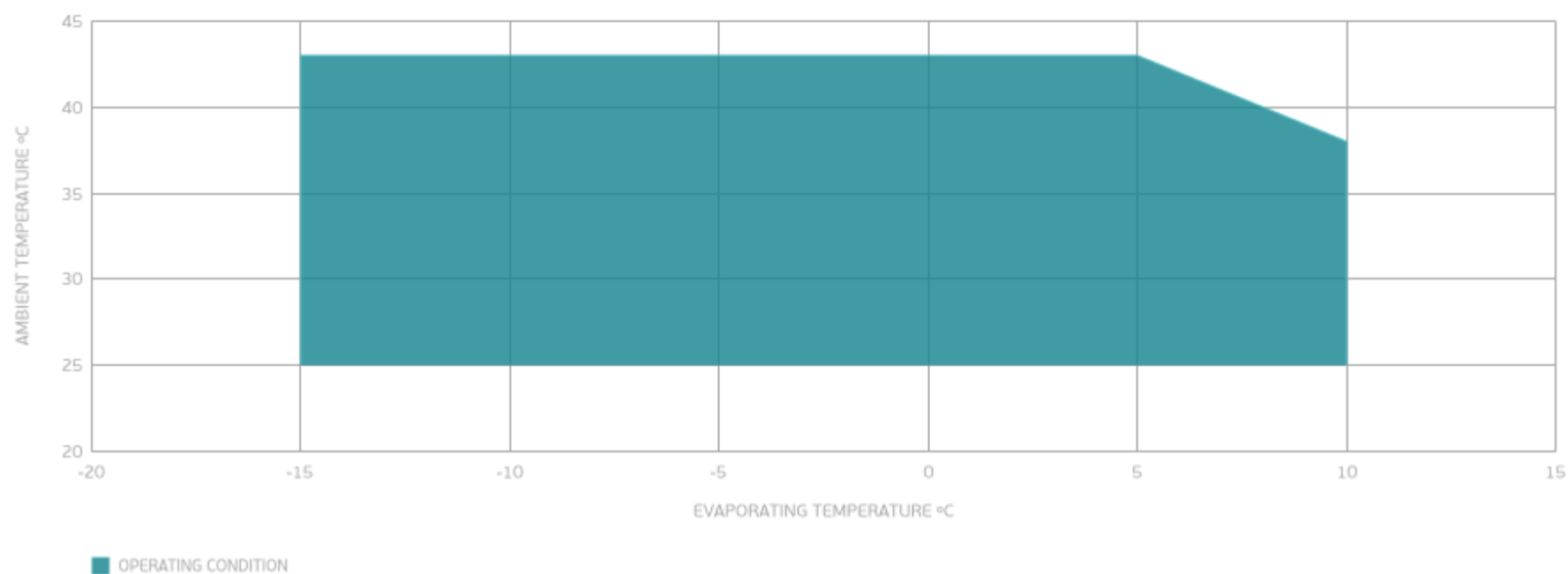
PERFORMANCE CURVE

Ambient Temperature 43°C

Evaporating Temperature °C	Cooling Capacity W	Efficiency W/W	Consumo de Potencia W
-15	347	1.07	325
-5	528	1.35	390
0	638	1.50	425
5	762	1.65	461

Test Condition: Subcooling 3 K, Return Gas 20 °C.

ENVELOPE



EXTERNAL DIMENSIONS

