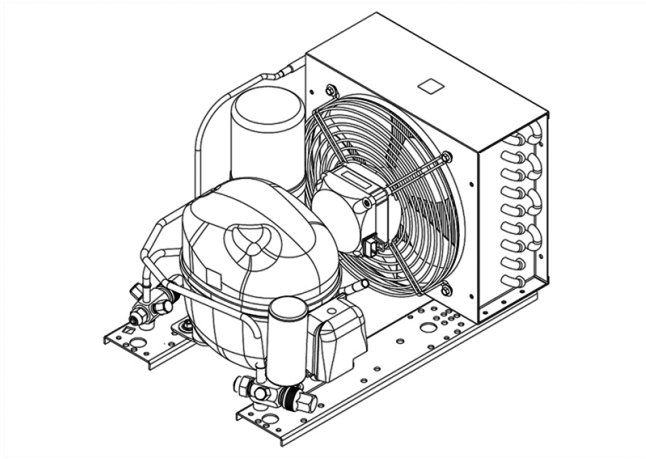


UNEK2125GK



ENGINEERING CODE
657EA5212AA



REFRIGERANT
R-404A



POWER SUPPLY
220-240 V 50 Hz



APPLICATION
LBP



MOTOR TYPE
CSIR



STANDARD
EN13215_RG20



COOLING CAPACITY
184 W



EFFICIENCY
0.8 W/W

CE

ECODESIGN
COMPLIANT

DATA

GENERAL DATA

Model UNEK2125GK

ELECTRICAL DATA

Locked Rotor Amperage (LRA) 12.40 A

Rated Load Amperage (RLA) 2.48 A

Maximum Overcurrent Protection (MOP) 5.58 A

Minimum Current Ampacity (MCA) 3.1 A

ACCESSORIES

Discharge valve FLARE 1/4" 2110025

Suction valve FLARE 3/8" 2110024

CONDENSING COMPONENTS

Compressor NEK2125GK LBP

Condenser 3R9T 2451205

Refrigerant R-404A

Expansion Device C-V

Fan Blade Diameter 230 mm

Fankit 10W 230/31/5B 1996699

MECHANICAL DATA

Air Flow	420 m ³ /h
Height	254 mm
Receiver	1.1 L
Shaft Power	10 W
Weight	17 Kg
Width	300 mm
Length	435 mm

PERFORMANCE

TESTED CONDITIONS

Tested Refrigerant	R-404A
Tested Application	LBP
Tested Standard	EN13215_RG20

RATED POINTS

Ambient Temperature °C	Evaporating Temperature °C	Cooling Capacity W	Efficiency W/W	Consumo de Potencia W
32	-35	184	0.8	230

Test Condition: Subcooling 3 K, Return Gas 20 °C.

PERFORMANCE CURVE

Ambient Temperature 25°C

Evaporating Temperature °C	Cooling Capacity W	Efficiency W/W	Consumo de Potencia W
-40	157	0.77	203
-30	260	1.07	244
-25	325	1.22	266
-20	400	1.38	290
-15	485	1.54	315
-10	580	1.70	341

Test Condition: Subcooling 3 K, Return Gas 20 °C.

PERFORMANCE CURVE

Ambient Temperature 32°C

Evaporating Temperature °C	Cooling Capacity W	Efficiency W/W	Consumo de Potencia W
-40	139	0.66	211
-30	237	0.94	251
-25	297	1.08	274
-20	365	1.22	298
-15	441	1.36	324
-10	526	1.50	352

Test Condition: Subcooling 3 K, Return Gas 20 °C.

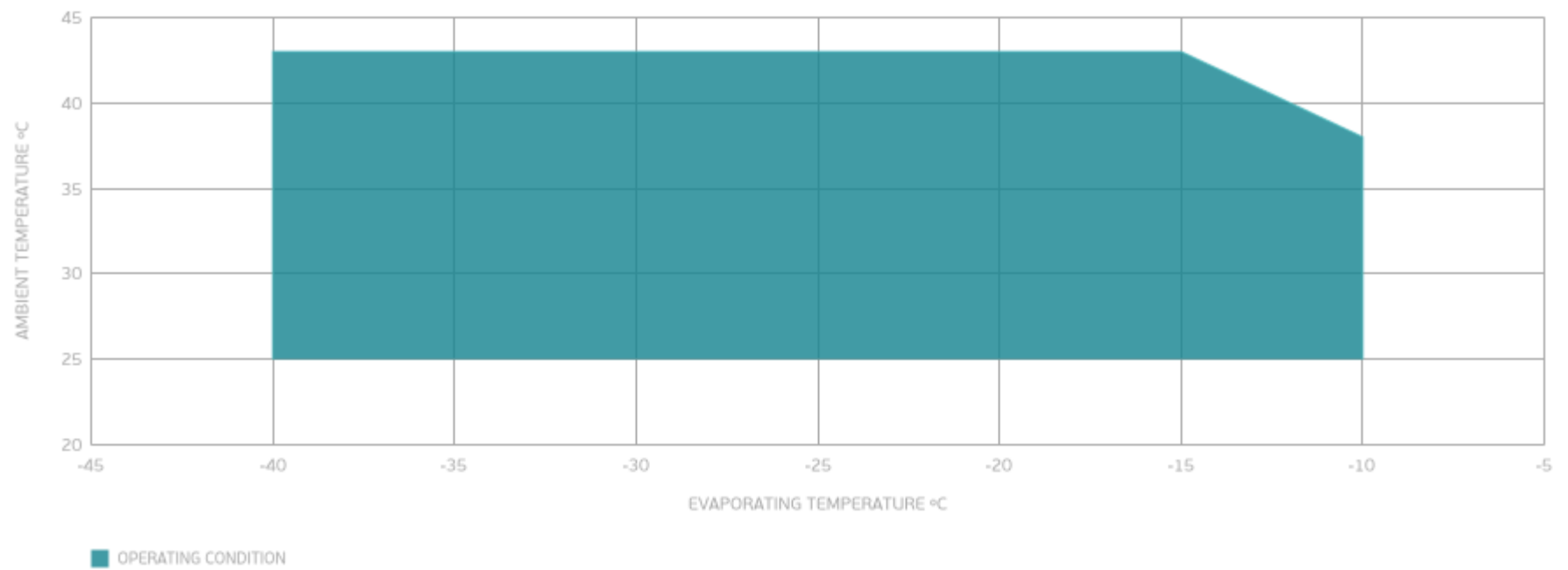
PERFORMANCE CURVE

Ambient Temperature 43°C

Evaporating Temperature °C	Cooling Capacity W	Efficiency W/W	Consumo de Potencia W
-40	102	0.48	211
-30	193	0.75	257
-25	247	0.87	284
-20	305	0.98	313
-15	370	1.07	345

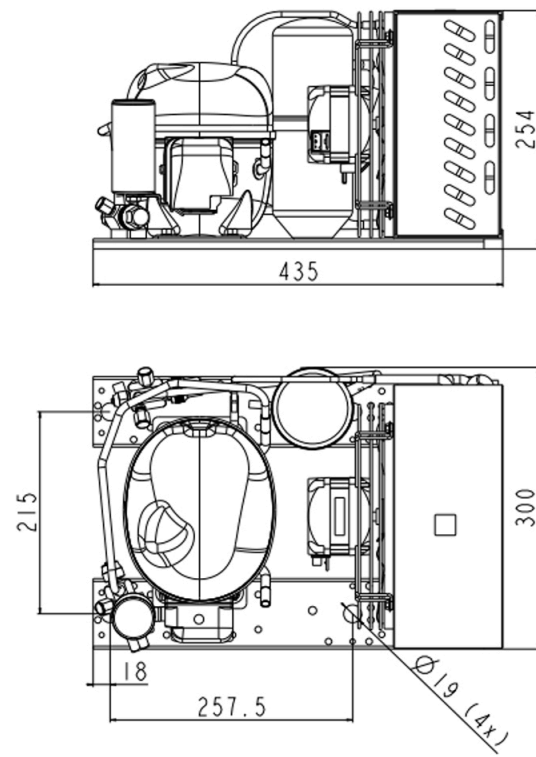
Test Condition: Subcooling 3 K, Return Gas 20 °C.

ENVELOPE



■ OPERATING CONDITION

EXTERNAL DIMENSIONS



WIRING DIAGRAM

