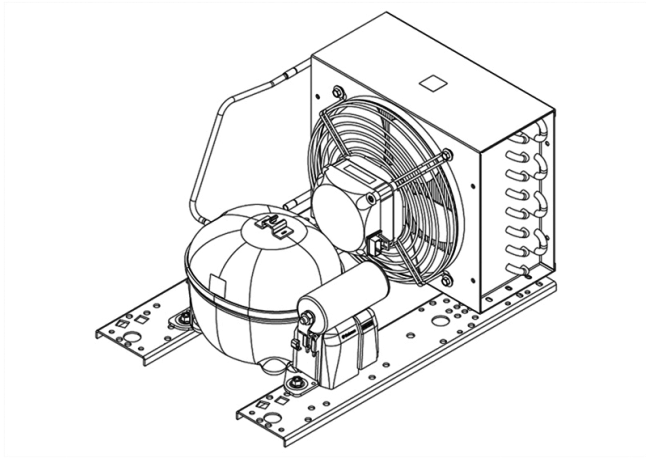


UEMT6144Z



ENGINEERING CODE
594PA5312AA



REFRIGERANT
R-134a



POWER SUPPLY
220-240 V 50 Hz



APPLICATION
HBP



MOTOR TYPE
RSIR



STANDARD
EN13215_RG20



COOLING CAPACITY
291 W



EFFICIENCY
1.64 W/W

CE

ECODESIGN
COMPLIANT

DATA

GENERAL DATA

Model UEMT6144Z

ELECTRICAL DATA

Locked Rotor Amperage (LRA) 8.50 A

Rated Load Amperage (RLA) 1.48 A

Maximum Overcurrent Protection (MOP) 3.33 A

Minimum Current Ampacity (MCA) 1.9 A

CONDENSING COMPONENTS

Compressor EMT6144Z M/HBP

Condenser 3R8T 2451204

Refrigerant R-134a

Expansion Device C-V

Fan Blade Diameter 200 mm

Fankit 10W 200/28/5B 1996581

MECHANICAL DATA

| | |
|-------------|-----------------------|
| Air Flow | 300 m ³ /h |
| Height | 226 mm |
| Shaft Power | 10 W |
| Weight | 14 Kg |
| Width | 290 mm |
| Length | 430 mm |

PERFORMANCE

TESTED CONDITIONS

| | |
|--------------------|--------------|
| Tested Refrigerant | R-134a |
| Tested Application | HBP |
| Tested Standard | EN13215_RG20 |

RATED POINTS

| Ambient Temperature °C | Evaporating Temperature °C | Cooling Capacity W | Efficiency W/W | Consumo de Potencia W |
|------------------------|----------------------------|--------------------|----------------|-----------------------|
| 32 | -10 | 291 | 1.64 | 178 |

Test Condition: Subcooling 3 K, Return Gas 20 °C.

PERFORMANCE CURVE

Ambient Temperature 25°C

| Evaporating Temperature °C | Cooling Capacity W | Efficiency W/W | Consumo de Potencia W |
|----------------------------|--------------------|----------------|-----------------------|
| -15 | 258 | 1.63 | 159 |
| -5 | 388 | 2.07 | 188 |
| 0 | 466 | 2.28 | 204 |
| 5 | 553 | 2.49 | 222 |
| 10 | 649 | 2.69 | 241 |

Test Condition: Subcooling 3 K, Return Gas 20 °C.

PERFORMANCE CURVE

Ambient Temperature 32°C

| Evaporating Temperature °C | Cooling Capacity W | Efficiency W/W | Consumo de Potencia W |
|----------------------------|--------------------|----------------|-----------------------|
| -15 | 233 | 1.42 | 164 |
| -5 | 355 | 1.84 | 193 |
| 0 | 426 | 2.03 | 210 |
| 5 | 503 | 2.20 | 229 |
| 10 | 589 | 2.36 | 249 |

Test Condition: Subcooling 3 K, Return Gas 20 °C.

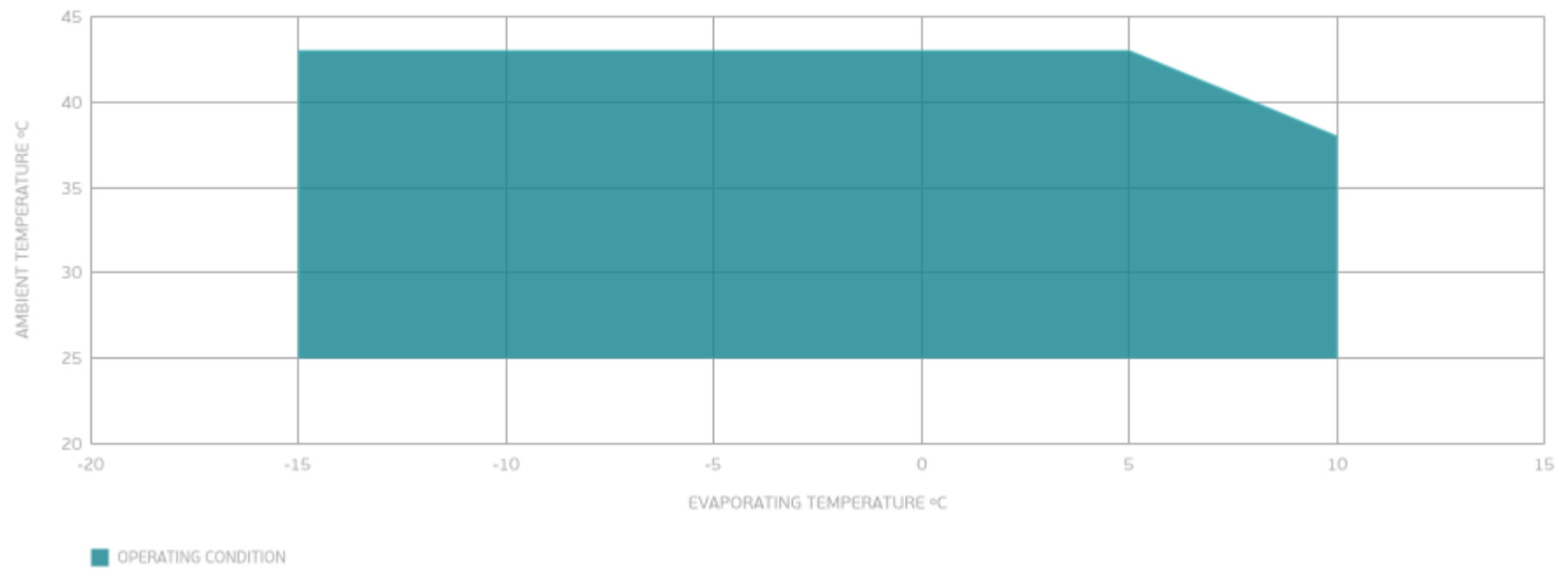
PERFORMANCE CURVE

Ambient Temperature 43°C

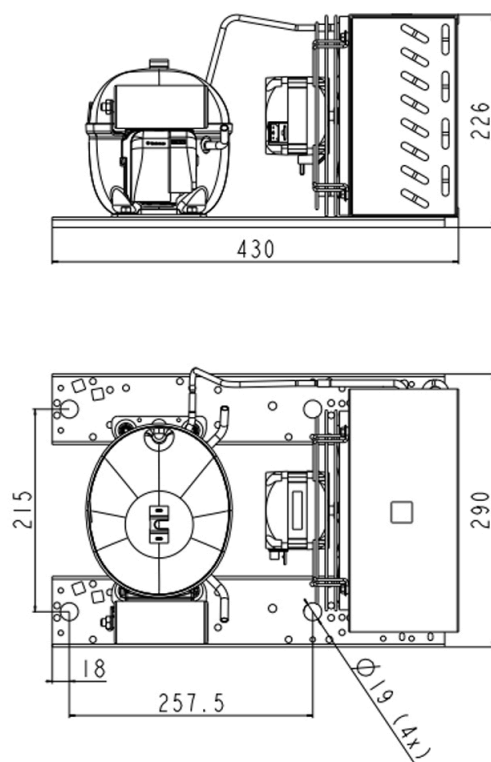
| Evaporating Temperature °C | Cooling Capacity W | Efficiency W/W | Consumo de Potencia W |
|----------------------------|--------------------|----------------|-----------------------|
| -15 | 193 | 1.11 | 173 |
| -5 | 320 | 1.57 | 204 |
| 0 | 388 | 1.75 | 222 |
| 5 | 461 | 1.90 | 242 |

Test Condition: Subcooling 3 K, Return Gas 20 °C.

ENVELOPE



EXTERNAL DIMENSIONS



WIRING DIAGRAM

