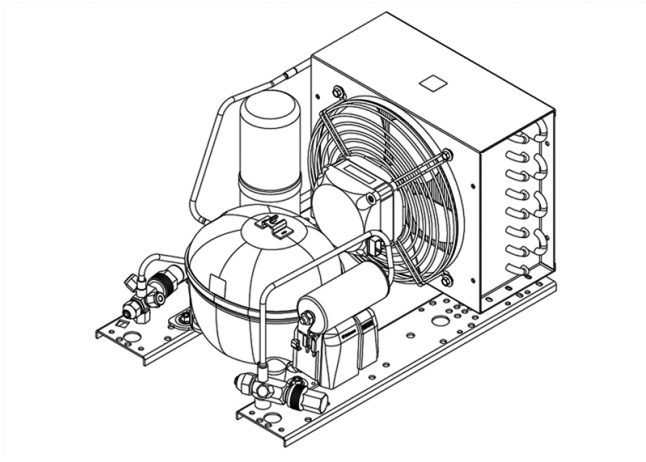


UEMT6144GK



**ENGINEERING CODE**  
594EA5208AA



**REFRIGERANT**  
R-404A



**POWER SUPPLY**  
220-240 V 50 Hz



**APPLICATION**  
HBP



**MOTOR TYPE**  
CSIR



**STANDARD**  
EN13215\_RG20



**COOLING CAPACITY**  
385 W



**EFFICIENCY**  
1.74 W/W

CE

ECODESIGN  
COMPLIANT

DATA

GENERAL DATA

**Model** UEMT6144GK

ELECTRICAL DATA

**Locked Rotor Amperage (LRA)** 7.70 A

**Rated Load Amperage (RLA)** 1.68 A

**Maximum Overcurrent Protection (MOP)** 3.78 A

**Minimum Current Ampacity (MCA)** 2.1 A

ACCESSORIES

**Discharge valve** FLARE 1/4" 2110025

**Suction valve** FLARE 3/8" 2110024

CONDENSING COMPONENTS

**Compressor** EMT6144GK M/HBP

**Condenser** 3R8T 2451204

**Refrigerant** R-404A

**Expansion Device** C-V

**Fan Blade Diameter** 200 mm

**Fankit** 10W 200/28/5B 1996581

## MECHANICAL DATA

Air Flow	300 m <sup>3</sup> /h
Height	226 mm
Receiver	0.6 L
Shaft Power	10 W
Weight	17 Kg
Width	290 mm
Length	430 mm

## PERFORMANCE

### TESTED CONDITIONS

Tested Refrigerant	R-404A
Tested Application	HBP
Tested Standard	EN13215_RG20

### RATED POINTS

Ambient Temperature °C	Evaporating Temperature °C	Cooling Capacity W	Efficiency W/W	Consumo de Potencia W
32	-10	385	1.74	222

Test Condition: Subcooling 3 K, Return Gas 20 °C.

### PERFORMANCE CURVE

Ambient Temperature 25°C

Evaporating Temperature °C	Cooling Capacity W	Efficiency W/W	Consumo de Potencia W
-20	293	1.59	184
-15	355	1.79	199
-5	497	2.14	232
0	576	2.30	251
5	659	2.44	270
10	748	2.57	292

Test Condition: Subcooling 3 K, Return Gas 20 °C.

**PERFORMANCE CURVE**

Ambient Temperature 32°C

Evaporating Temperature °C	Cooling Capacity W	Efficiency W/W	Consumo de Potencia W
-20	266	1.41	189
-15	323	1.58	205
-5	451	1.88	240
0	523	2.02	259
5	599	2.15	279
10	681	2.27	300

Test Condition: Subcooling 3 K, Return Gas 20 °C.

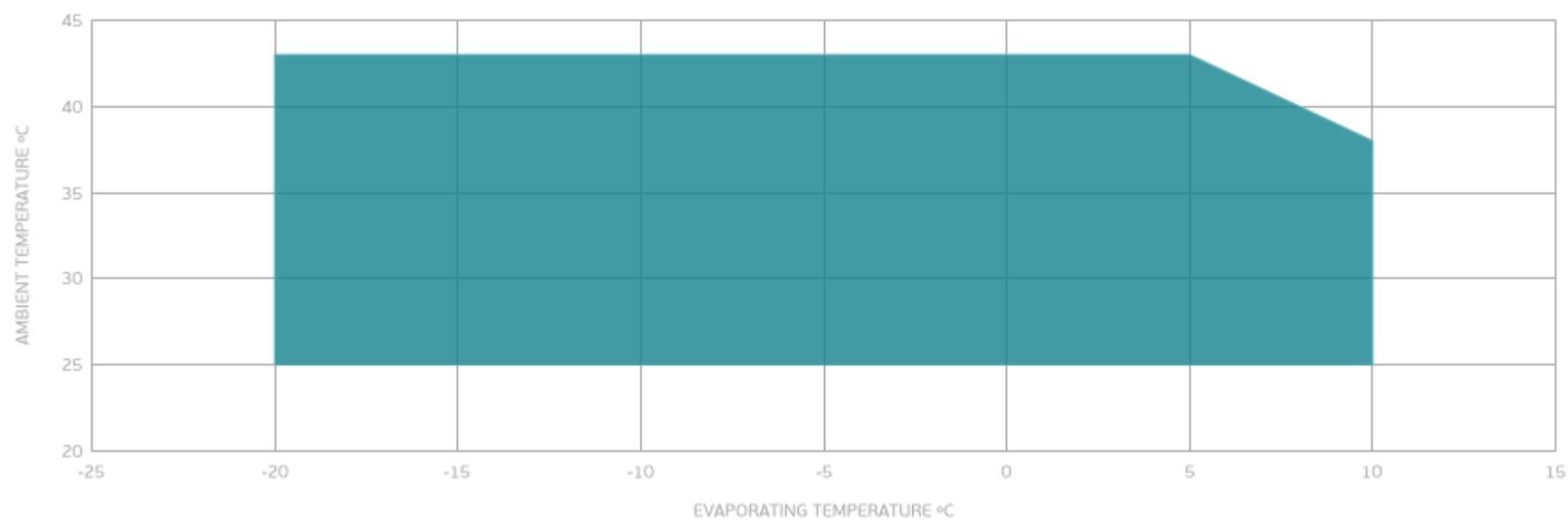
**PERFORMANCE CURVE**

Ambient Temperature 43°C

Evaporating Temperature °C	Cooling Capacity W	Efficiency W/W	Consumo de Potencia W
-20	219	1.09	200
-15	265	1.21	219
-5	372	1.43	261
0	433	1.53	283
5	497	1.62	306

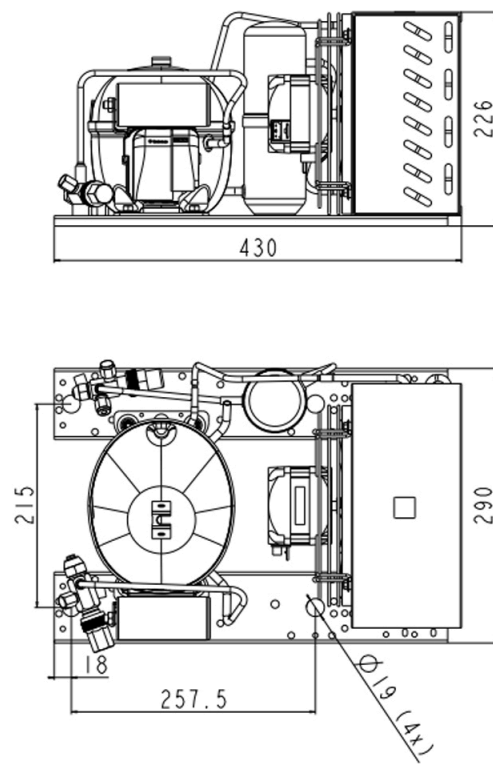
Test Condition: Subcooling 3 K, Return Gas 20 °C.

**ENVELOPE**



■ OPERATING CONDITION

## EXTERNAL DIMENSIONS



## WIRING DIAGRAM

