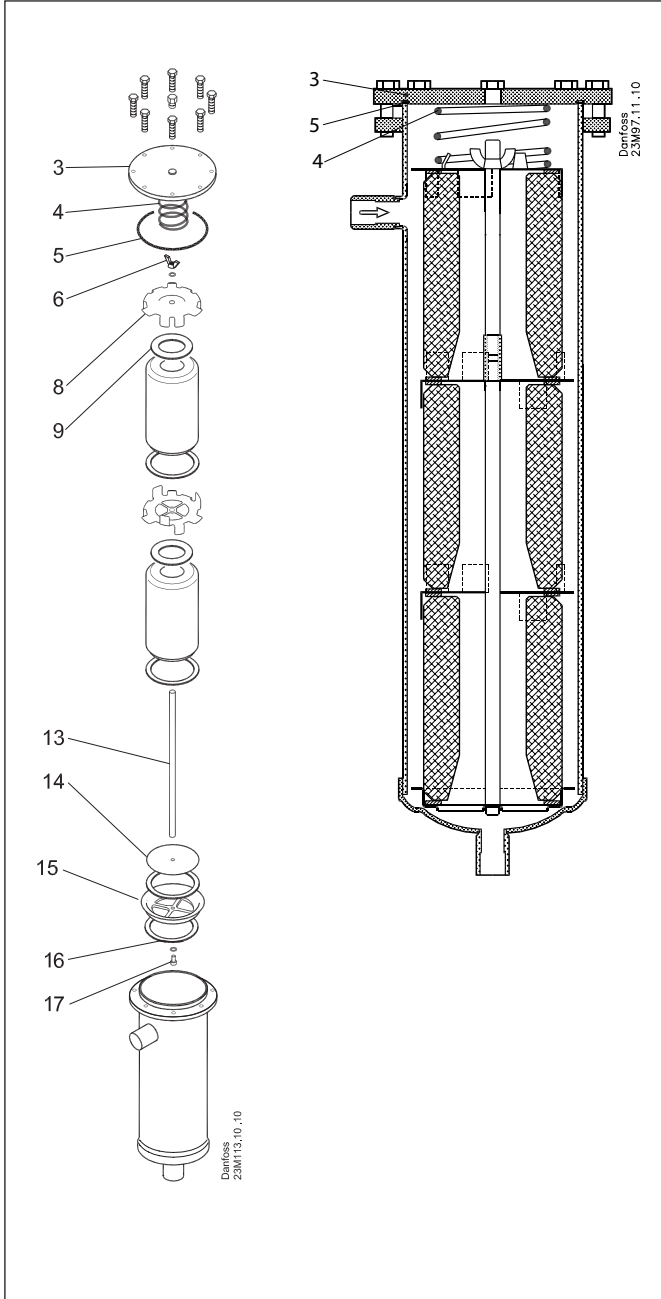
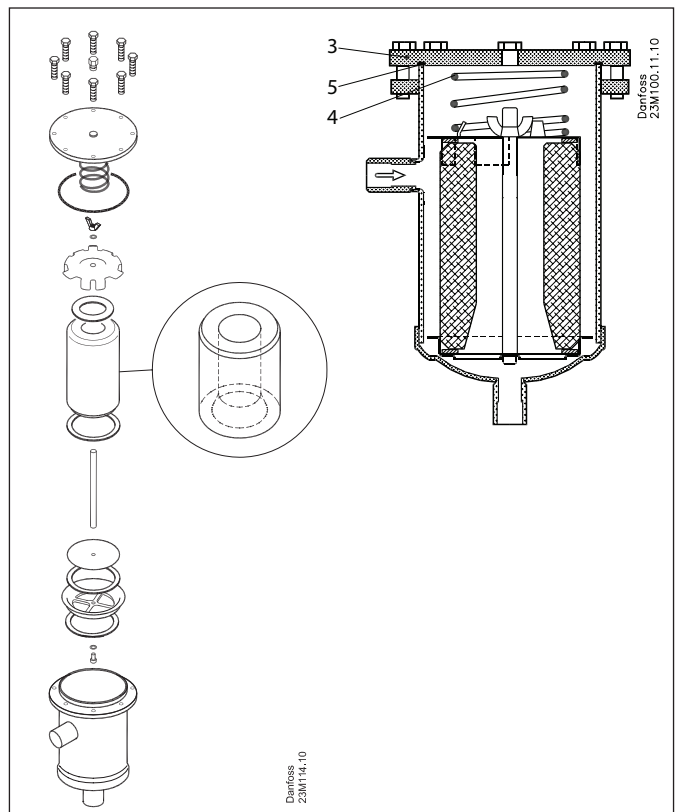


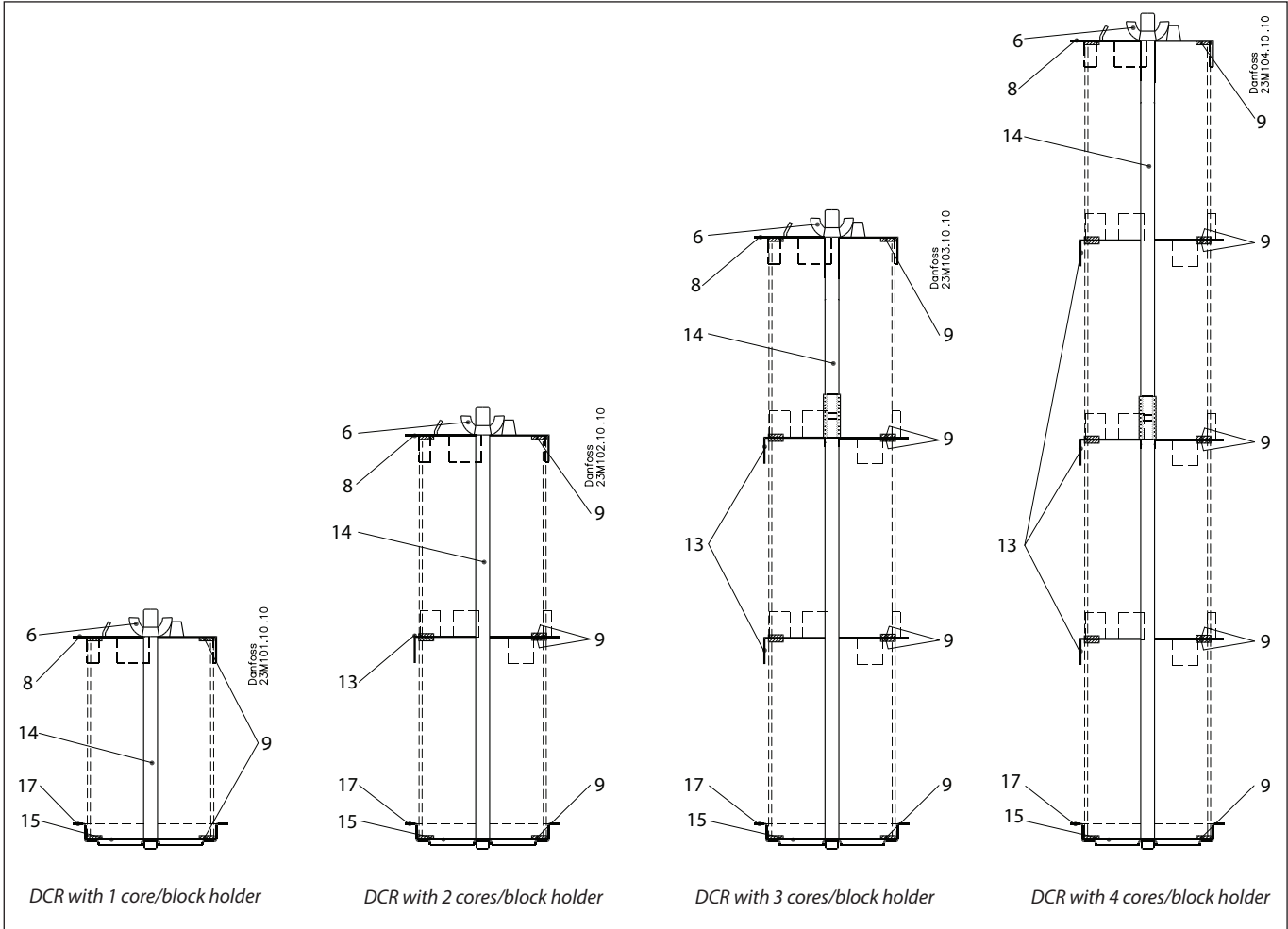
Spare parts and accessories

# ELIMINATOR® filter drier with replaceable solid core Type DCR



| Pos.                    | Description  | Qty.  | Code no.             |
|-------------------------|--|---|----------------------|
| <b>Top cover gasket</b> |  |   |                      |
| 5                       | Ø121.8 × Ø113.6 × 0.8 mm<br>Suitable for:<br>Danfoss DCR, Alco ADKS, Sporlan C,<br>Catch All, Henry V, Parker P, Carly BCY | 20  | 023U0055<br>023U2015 |
|                         | 5  | Ø115.5 × Ø107.5 × 1.6 mm<br>Suitable for:<br>Hansa GT, Castel 441 |                      |
| 5                       | Ø123.5 × Ø115.0 × 1.6 mm<br>Suitable for:<br>KMP K   | 20  | 023U0057             |
| 5                       | Ø121.8 × Ø113.6 × 1.5 mm<br>Heavy Duty and NH <sub>3</sub>   | 20  | 023U0058             |
| <b>Spring</b>           |  |   |                      |
| 4                       | Ø55.0 × Ø47.0 mm   | 8   | 023U2019             |
| <b>Felt gasket</b>      |  |   |                      |
| 9                       | Ø95.5 × Ø45.5 × 2 mm<br>Suitable for:<br>Danfoss DCR   | 20  | 023U2018             |
| 16                      | Ø95.5 × Ø78 × 2 mm<br>Suitable for:<br>Danfoss DCR   | 20  | 023U2016             |
| <b>Top cover</b>        |  |   |                      |
| 3                       | With plug 1/4" NPT   | 1   | 023Z9906             |
| 3                       | Without plug   | 1   | 023Z9907             |





| Pos.                           | Description  | 1-core          | 2-core          | 3-core          | 4-core          |
|--------------------------------|--------------|-----------------|-----------------|-----------------|-----------------|
| <b>1 - 4 core/block holder</b> |              |                 |                 |                 |                 |
| 6                              | Wing nut     | <b>023Z9030</b> | <b>023Z9031</b> | <b>023Z9032</b> | <b>023Z9033</b> |
| 8                              | Top plate    |                 |                 |                 |                 |
| 9                              | Felt gasket  |                 |                 |                 |                 |
| 13                             | Core plate   |                 |                 |                 |                 |
| 14                             | Distance rod |                 |                 |                 |                 |
| 15                             | Wire mesh    |                 |                 |                 |                 |
| 17                             | Core holder  |                 |                 |                 |                 |