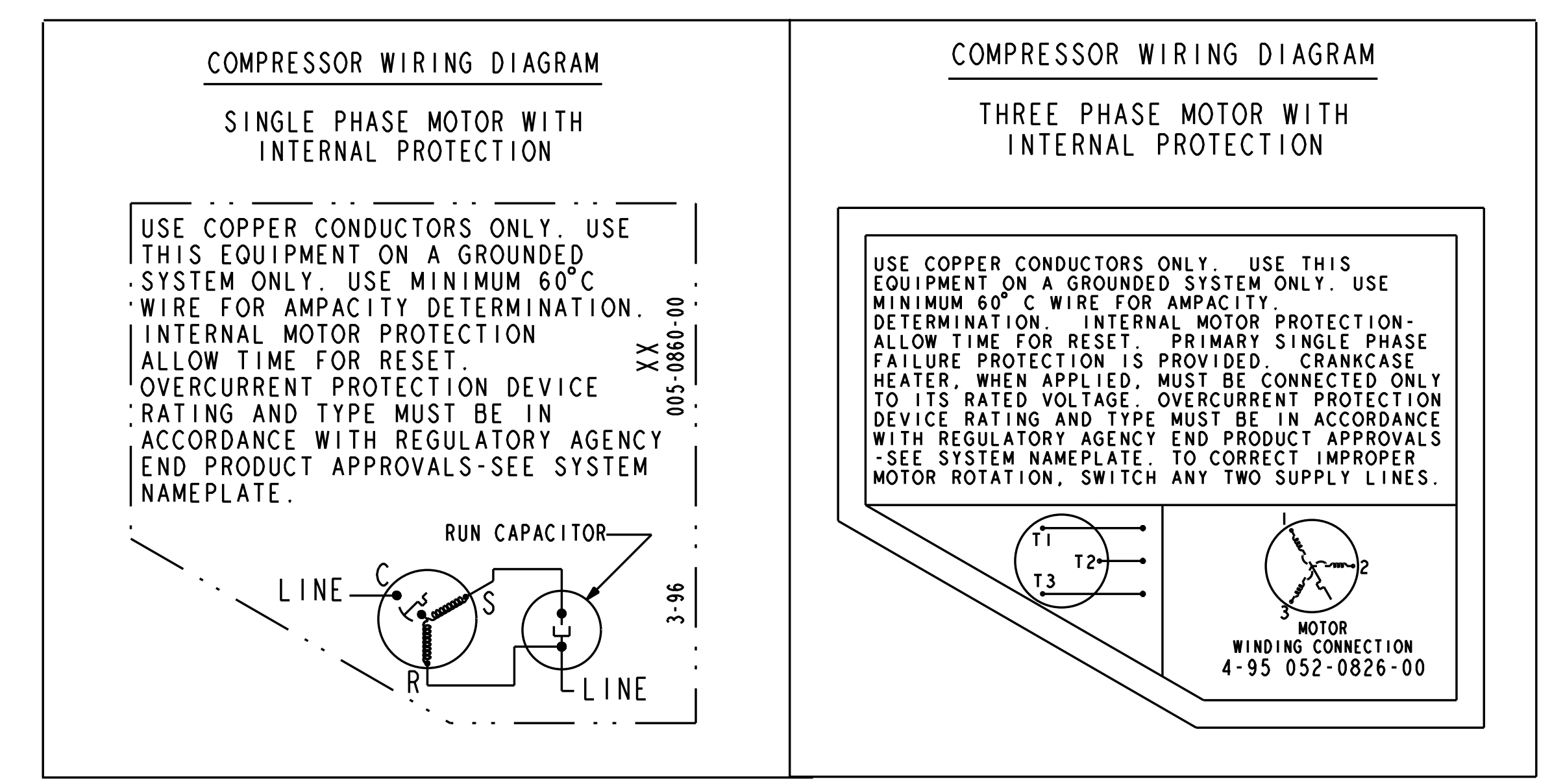
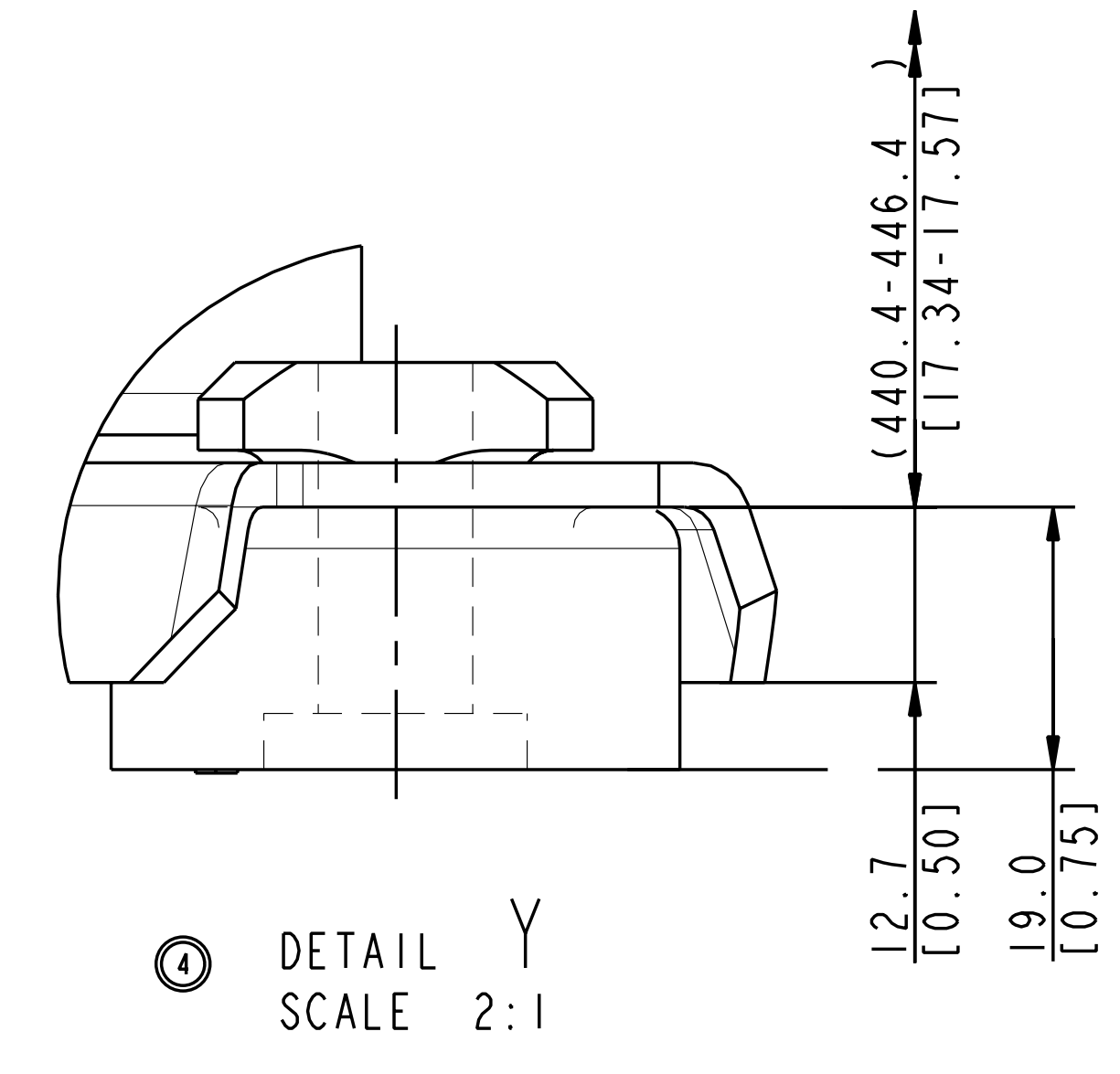
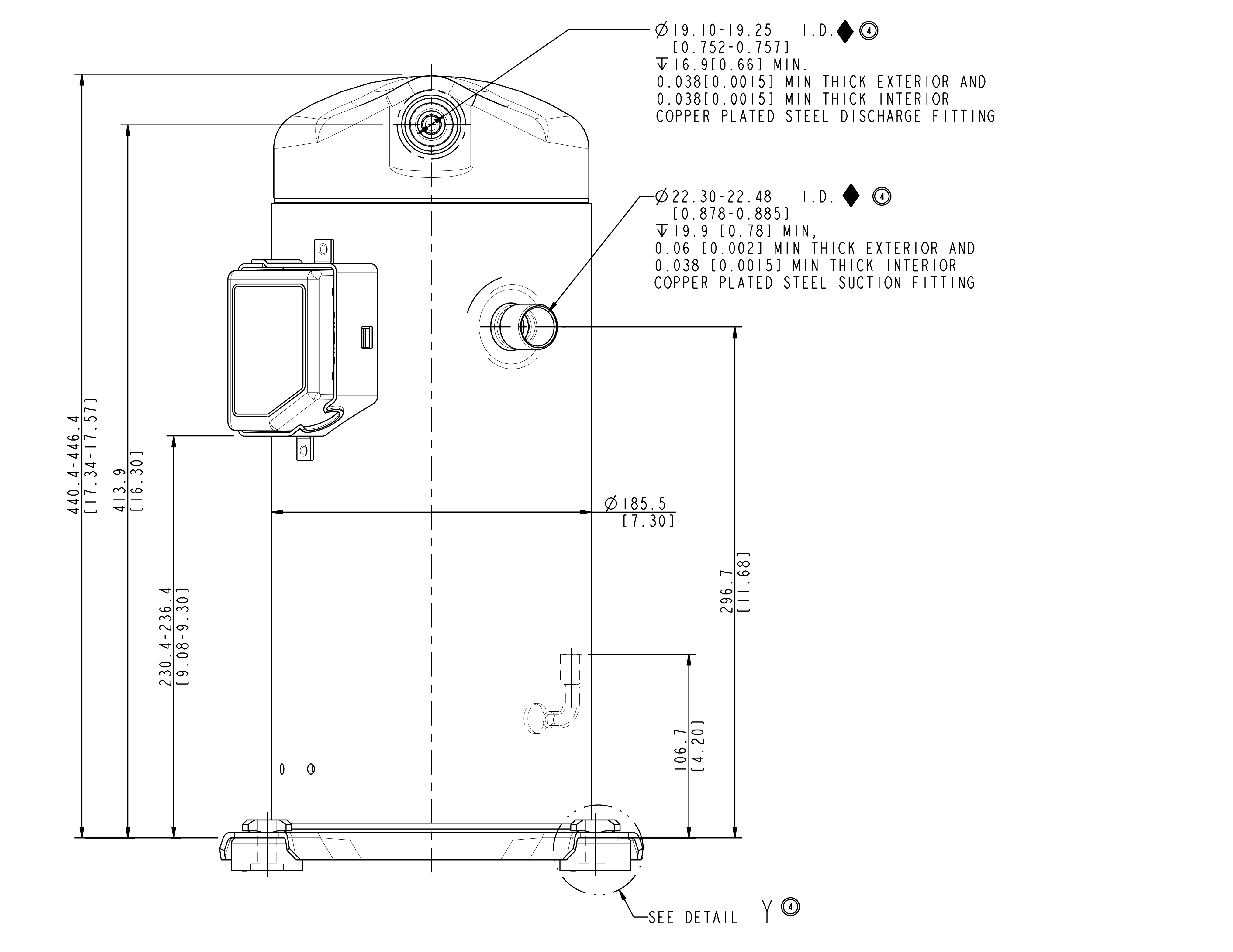
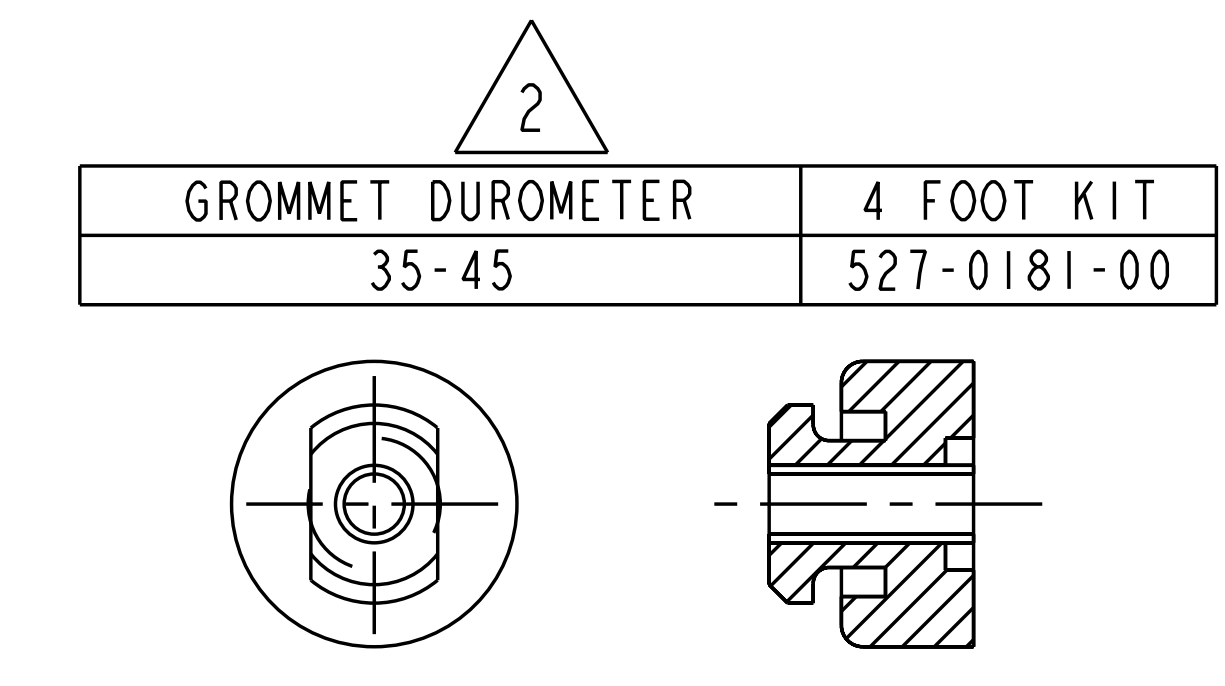
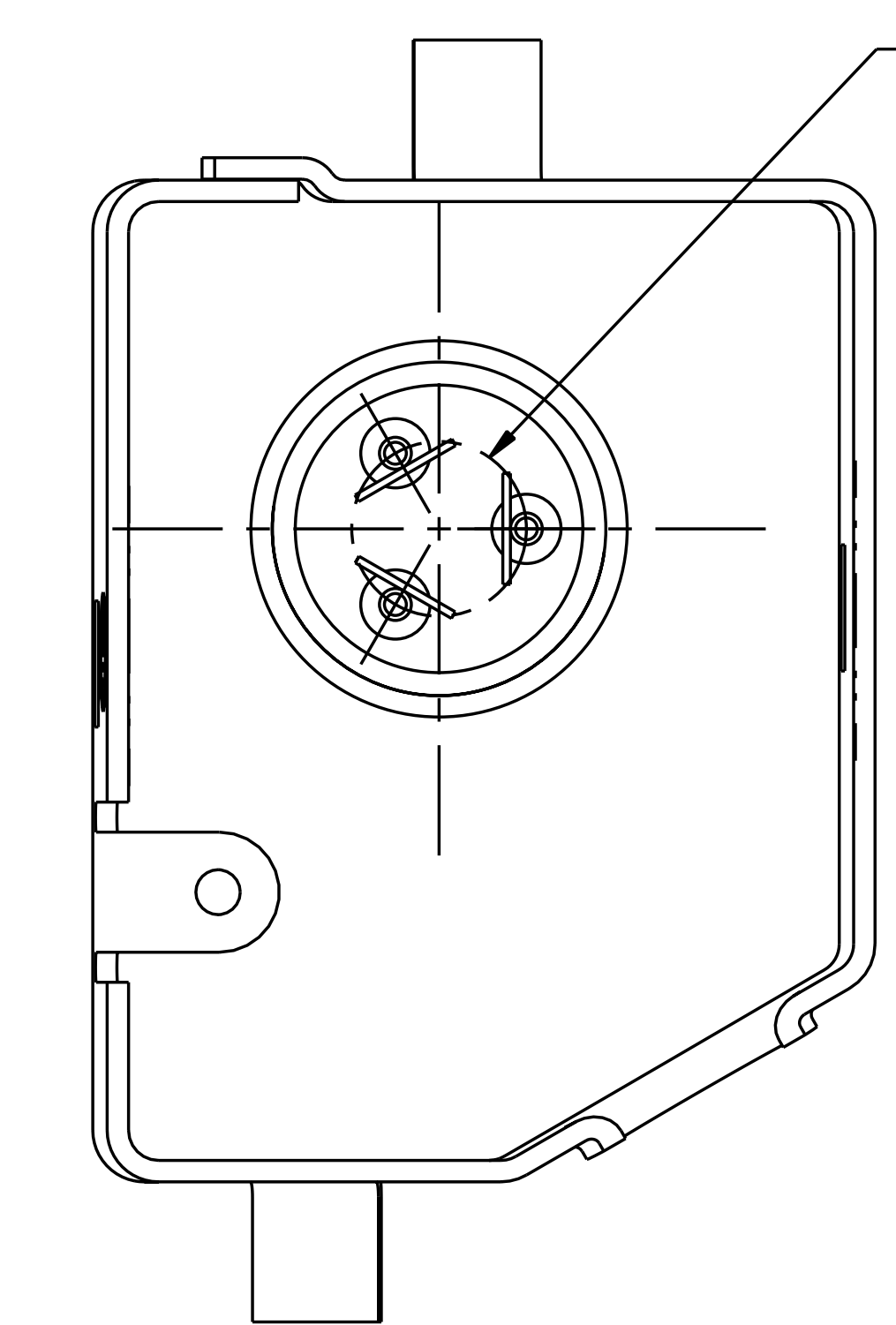
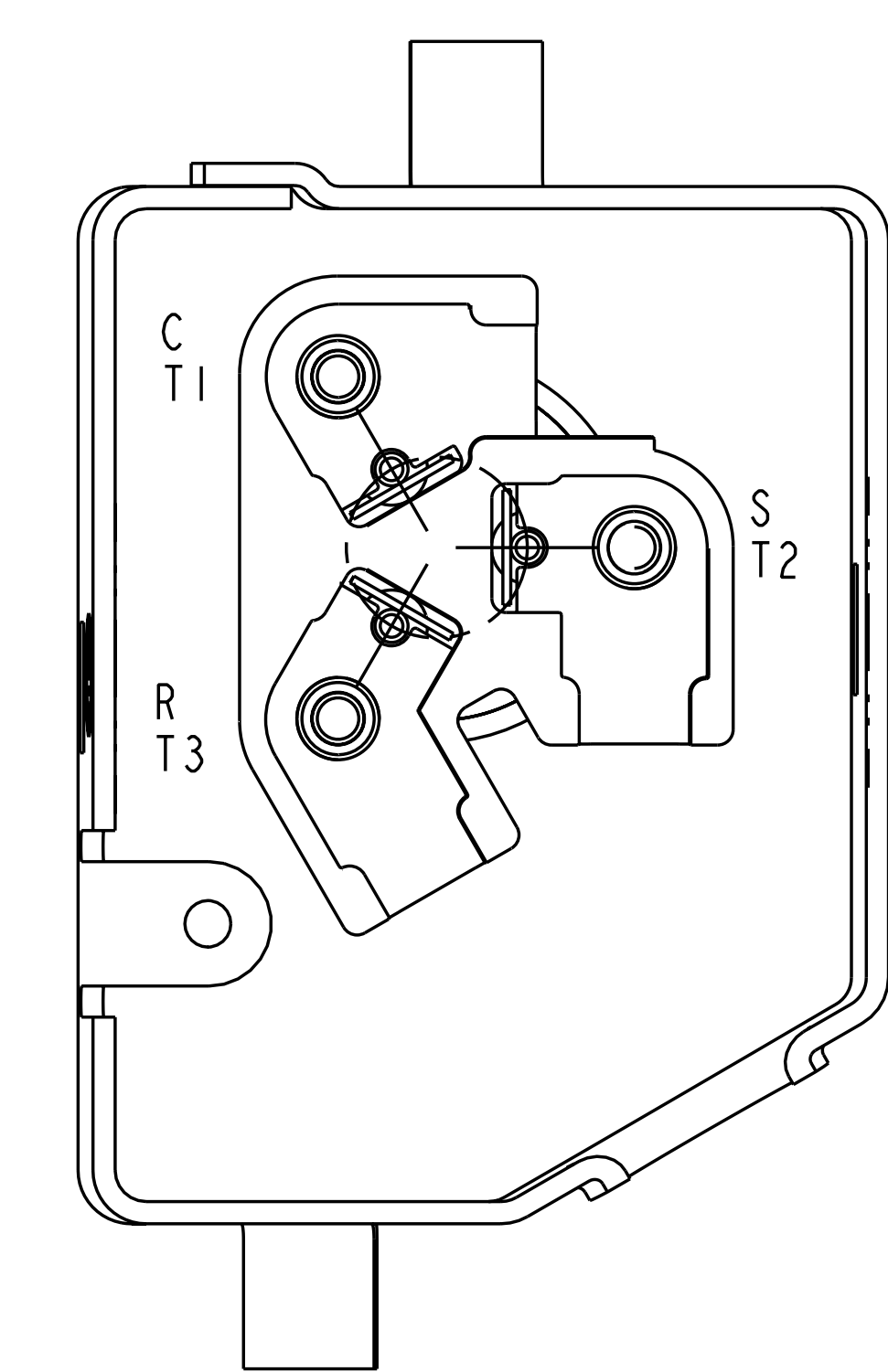


MODEL NUMBER
ZR81KC/KCE-TFD,TF7
TANDEM READY

SPECIFICATIONS	
ES NO.	DESCRIPTION
ES92-155	CONVERSION-METRIC

- NOTES:
- ALL TOLERANCES ± 1.50 [0.060] UNLESS OTHERWISE SPECIFIED.
 - DUE TO ACCUMULATED ASSEMBLY TOLERANCES THE LISTED COMPONENTS MAY VARY FROM THE MOUNTING HOLES AS SHOWN BELOW:
 - ALL FITTINGS : ± 3.0 [0.12]
 - MOUNTING KIT.
 - TUBE ENDS MUST BE PLUGGED.



INTERPRET PER ASME Y14.5M-1994 AND EMERSON CLIMATE TECHNOLOGIES, INC. DESIGN STANDARDS DS2002 DO NOT SCALE DRAWING

CRITICAL PRODUCT CHARACTERISTIC

THIRD ANGLE PROJECTION

UNLESS OTHERWISE SPECIFIED DIMENSIONS ARE MILLIMETER OR (INCH)

TOLERANCES:
1-PLACE \pm
2-PLACE \pm
ANGULAR \pm N/A

ECN005628	4	REVISED DIMENSIONS AND NOTES	05-23-12	PPJ	MA	KJR
32-0106-025	3	REVISED DIMENSIONS AND NOTES	01-20-06	BMK	EC	RST
32-1204-039	2	REDRAWN AND REVISED; REPLACED FORMAT	11-24-04	TDS	EC	RST
32-0303-067	0	RELEASED	05-29-03	EC	GD	RST
ENG NOTICE NO.	REV. NO.	REVISIONS	DATE	BY	CHKD	APPR
CONFIDENTIALITY NOTICE						
THIS DRAWING AND INFORMATION CONTAINED HEREIN ARE THE EXCLUSIVE PROPERTY OF EMERSON CLIMATE TECHNOLOGIES, INC. AND SHALL BE RETURNED UPON DEMAND AND SHALL NOT BE REPRODUCED IN WHOLE OR IN PART, DISCLOSED TO ANYONE ELSE OR USED, WITHOUT THE WRITTEN CONSENT OF EMERSON CLIMATE TECHNOLOGIES, INC.						
MATERIAL SPECIFICATION			SUPERSEDES DWG. NO. / REV. NO.			
N/A			EC / DATE 05-29-03			
N/A			SCALE 3:4 / DATE FORMAT MM-DD-YY			
TITLE			DRAWING NUMBER SHEET 1 OF 1 DWG			
REF DWG-WELD COMP ASSM			497-3795-00 5			