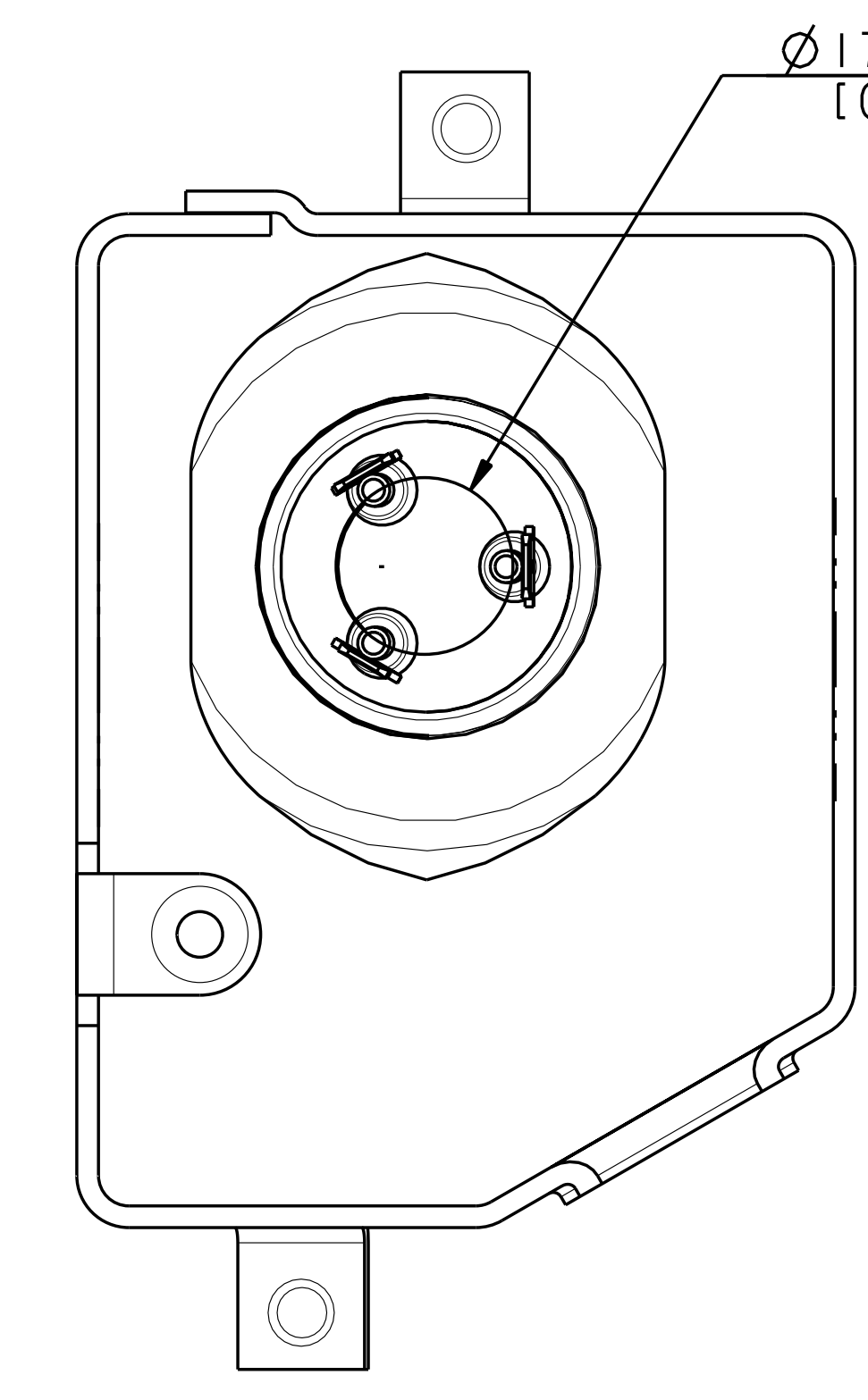
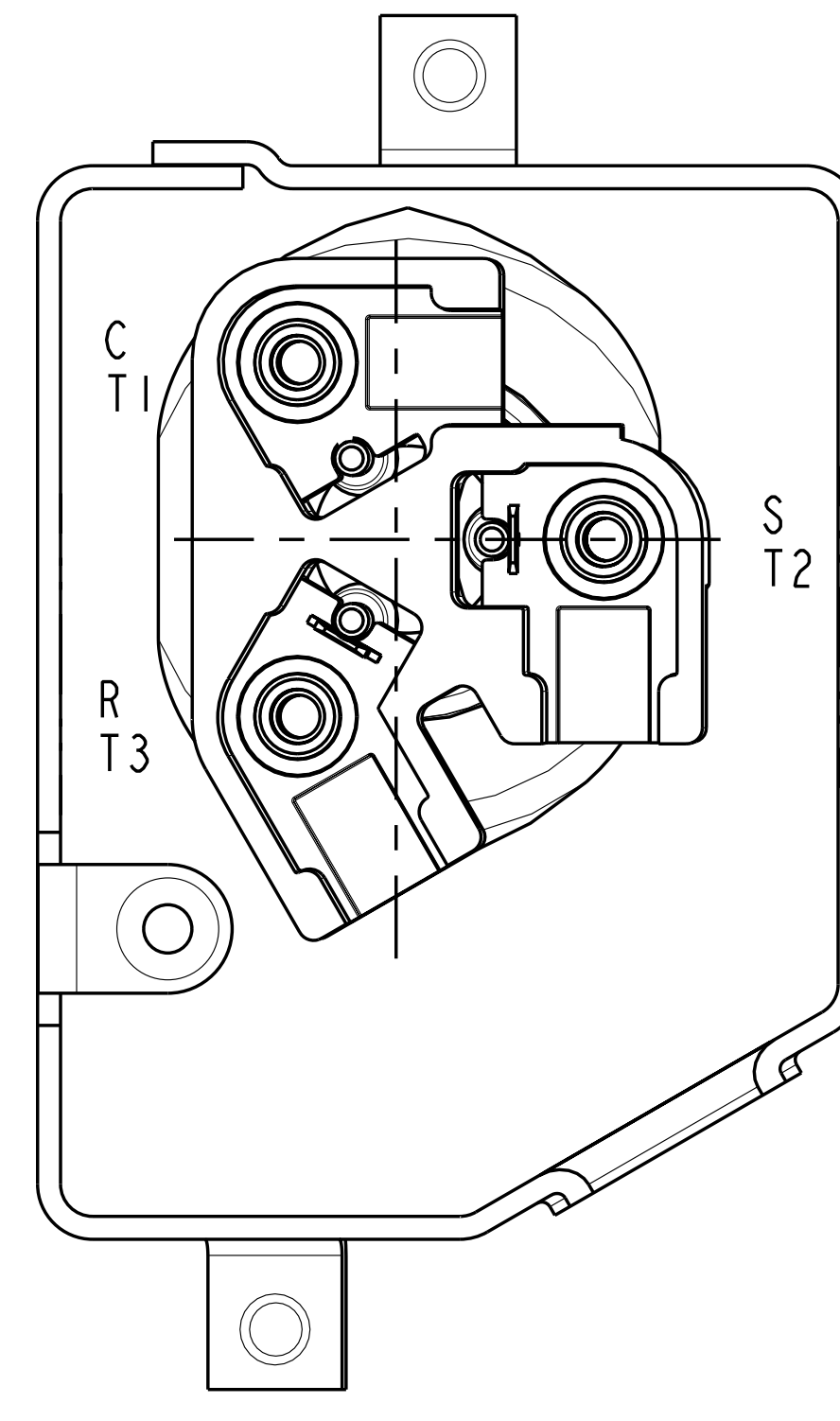
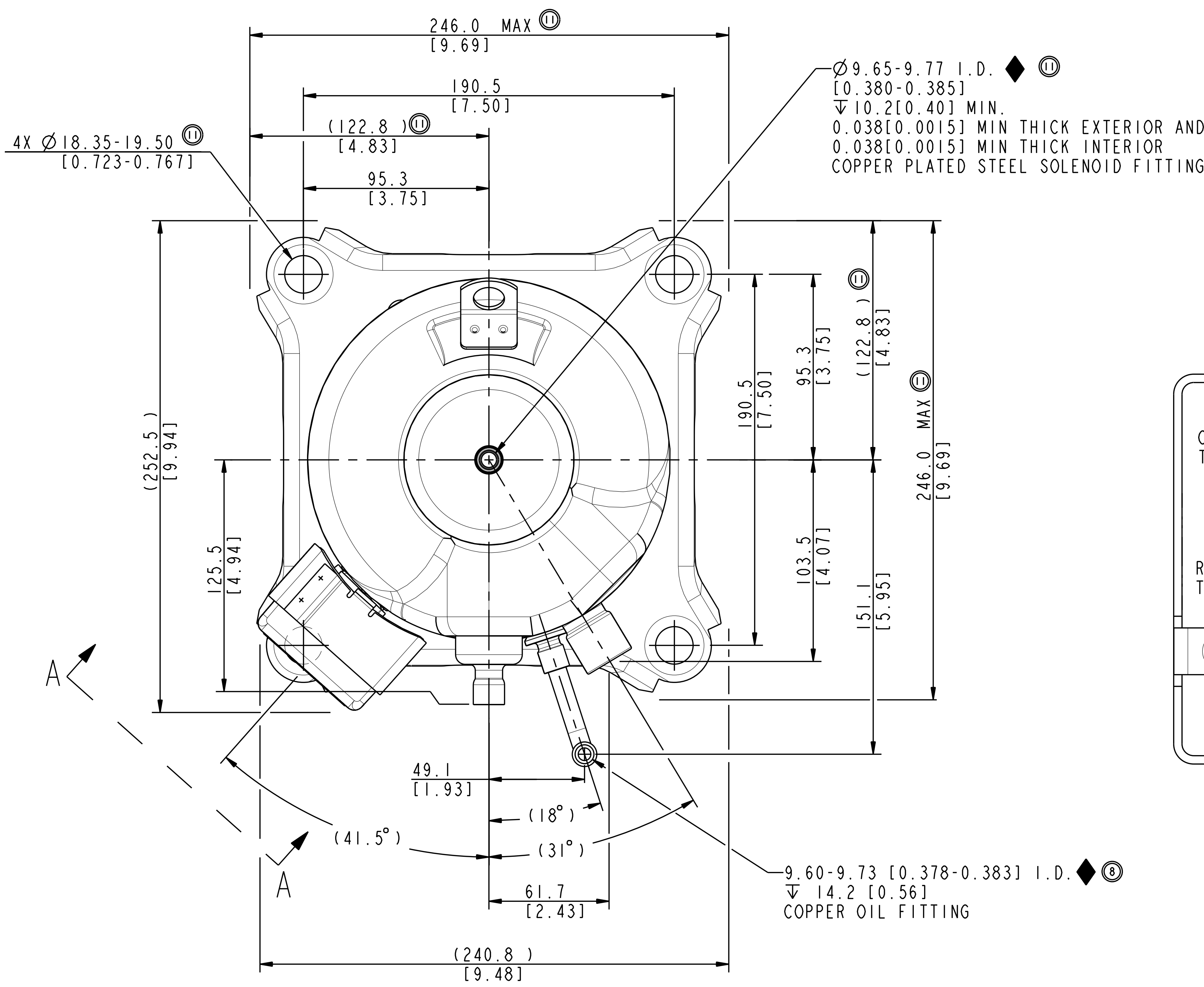


MODEL NUMBER	
⑩	ZPD72KCE-TFD, TF5, TF7
	ZPD61KCE-PFZ, TF7
	ZPD83KCE-TF7
⑨	ZPD67KCE-TFD

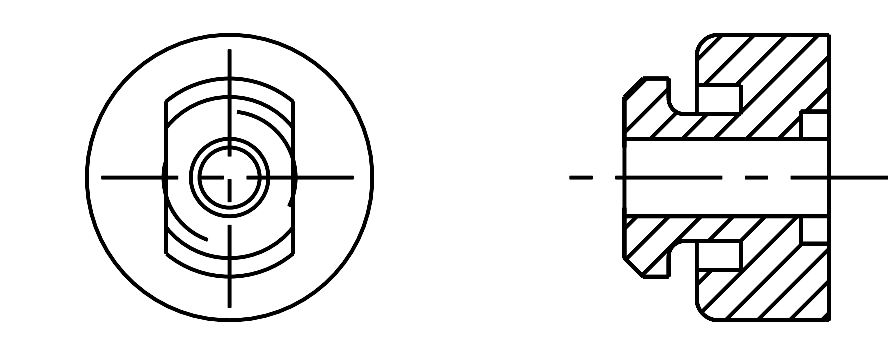
SPECIFICATIONS	
ES NO.	DESCRIPTION
ES92-155	CONVERSION-METRIC



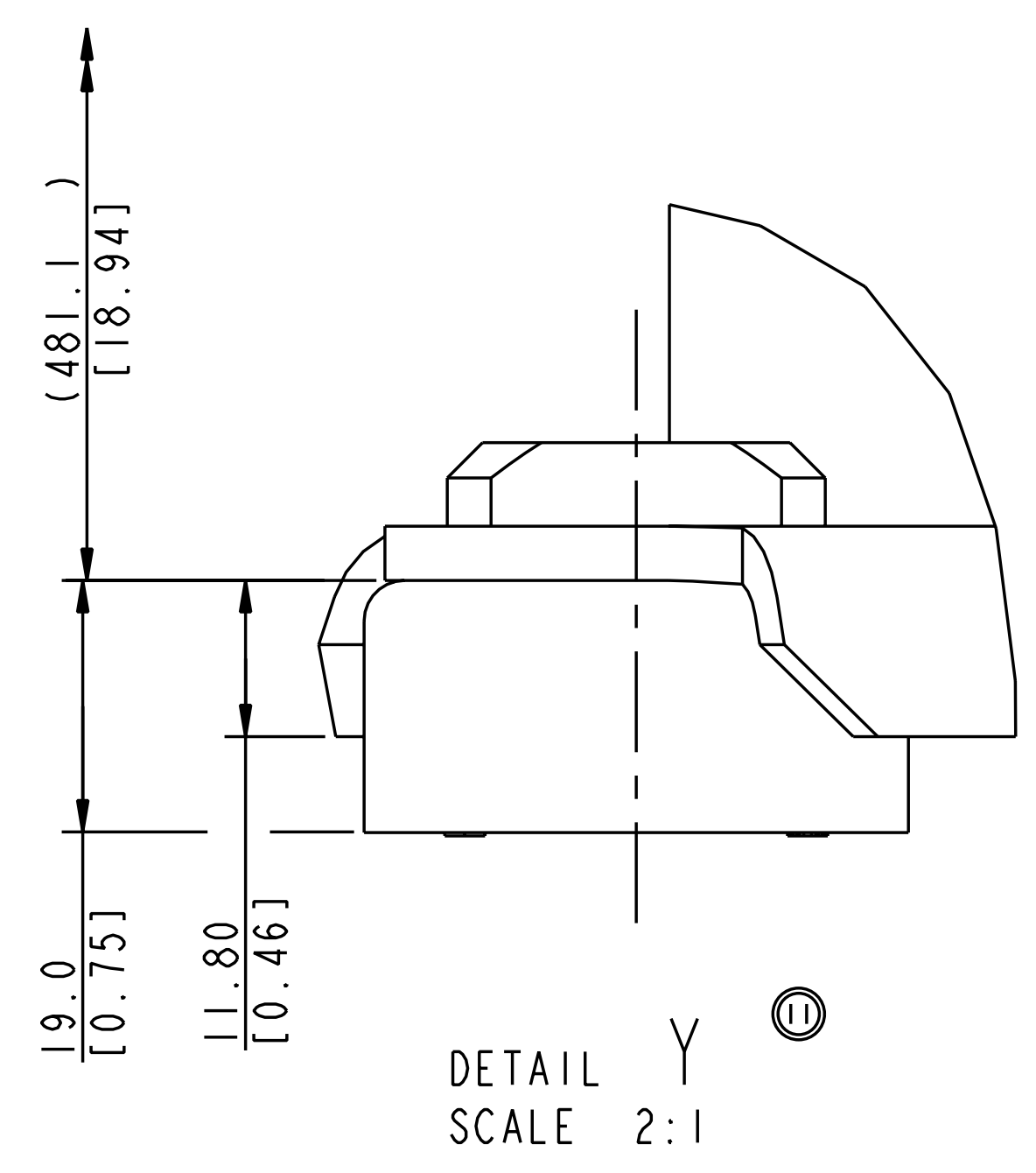
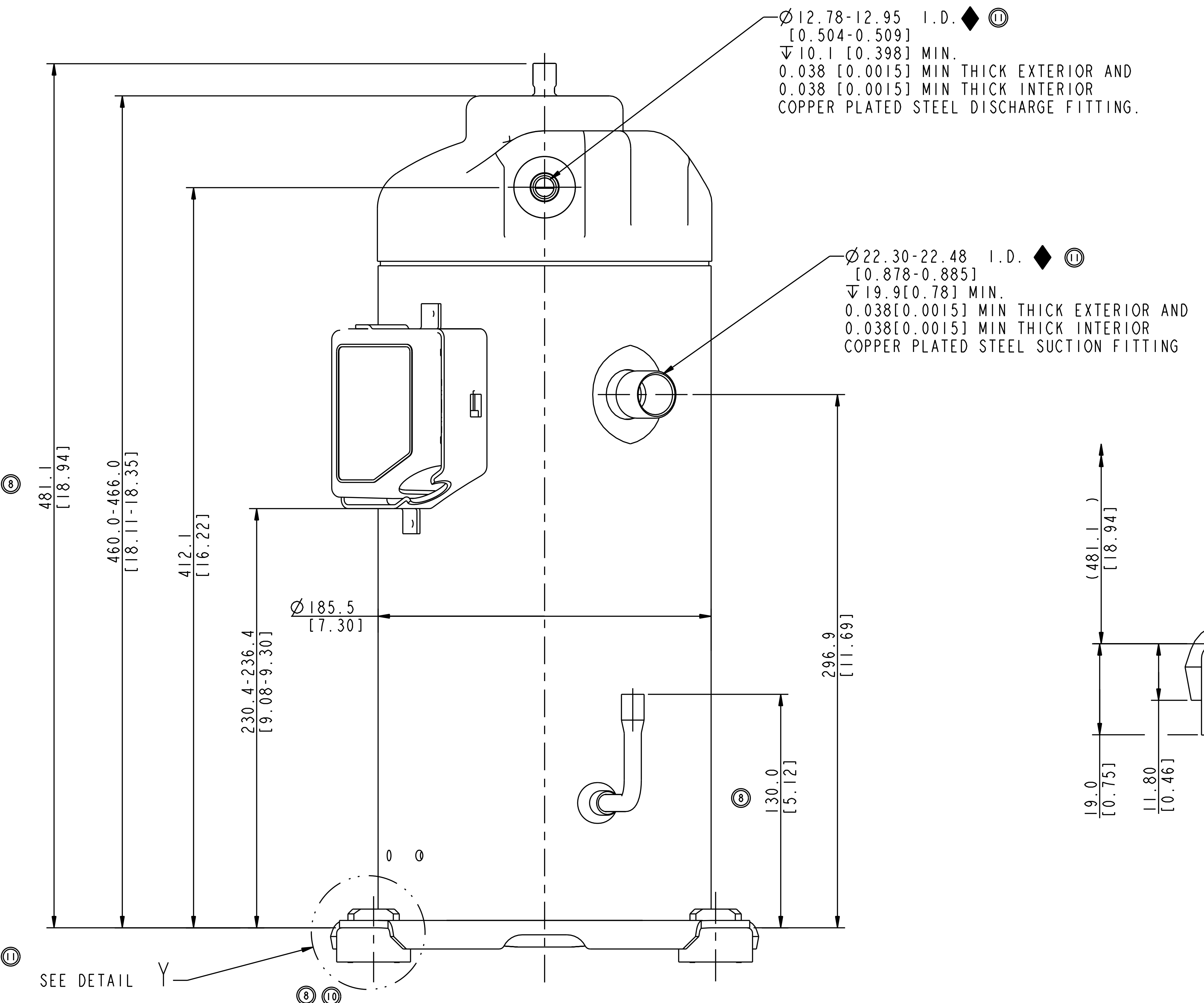
NOTES:
 1 ALL TOLERANCES ±1.50 [0.060] UNLESS OTHERWISE SPECIFIED.
 DUE TO ACCUMULATED ASSEMBLY TOLERANCES THE LISTED COMPONENTS MAY VARY FROM THE MOUNTING HOLES AS SHOWN BELOW:

⑧ ◆ ALL FITTINGS : ±3.0 [0.12]
 2 MOUNTING KIT

GROMMET DUROMETER	4 FOOT KIT
35-45	527-0205-00

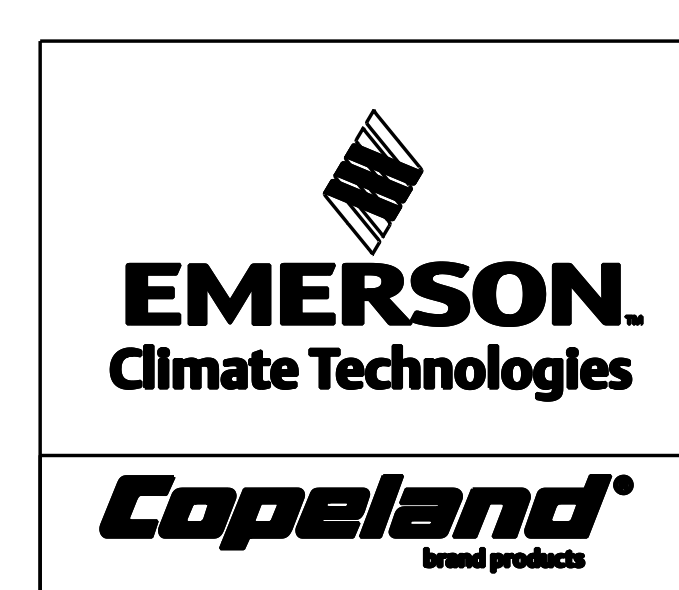


③ 3. TUBE ENDS MUST BE PLUGGED.



⑩ USE COPPER CONDUCTORS ONLY. USE MINIMUM 75° C WIRE FOR AMPACITY DETERMINATION. INTERNAL MOTOR PROTECTION - ALLOW TIME FOR RESET. OVERCURRENT PROTECTION DEVICE RATING AND TYPE MUST BE IN ACCORDANCE WITH REGULATORY AGENCY END PRODUCT APPROVALS - SEE SYSTEM NAMEPLATE. CRANKCASE HEATER, WHEN APPLIED, MUST BE CONNECTED ONLY TO ITS RATED VOLTAGE. TO CORRECT IMPROPER ROTATION OF THREE PHASE MODELS, SWITCH ANY TWO SUPPLY LINES. REFER TO THE APPLICABLE SYSTEM WIRING DIAGRAM.

COMPRESSOR WIRING DIAGRAM	COMPRESSOR WIRING DIAGRAM
SINGLE PHASE MOTOR WITH INTERNAL PROTECTION	THREE PHASE MOTOR WITH INTERNAL PROTECTION



INTERPRET PER ASME Y14.5M-1994 AND EMERSON CLIMATE TECHNOLOGIES, INC. DESIGN STANDARDS DS2002 DO NOT SCALE DRAWING
 THIRD ANGLE PROJECTION
 CRITICAL PRODUCT CHARACTERISTIC
 UNLESS OTHERWISE SPECIFIED DIMENSIONS ARE MILLIMETER OR (INCH)
 TOLERANCES:
 1-PLACE ±
 2-PLACE ±
 ANGULAR ±

ECN	REV	DESCRIPTION	DATE	BY	CHKD	APPR
ECN006047	11	REVISED DIMENSIONS	05-29-12	PPJ	MA	KJR
ECN001208	10	REPLACED SPACER MOUNTING ASSM WAS: 527-0212-00	08-06-08	PSD	EC	KJR
ECN000924	9	ADDED ZPD67KCE-TFD	04-18-08	WH	FH	BL
ECN000446	8	REPLACED SPACER MOUNTING ASSM WAS: 527-0205-00	01-29-08	SVK	EC	KJR
ECN000403	7	ADDED ZPD72KCE-TF5	08-07-07	SUP	EC	KJR
ECN000294	6	ADDED ZPD61KCE-TF7	04-16-07	WH	BL	WG
ECN000110	5	ADDED ZPD83KCE-TF7	02-23-07	PBM	EC	KJR
32-0606-114	4	MOUNTING KIT WAS 527-0116-00	06-26-06	TM	EC	RST
32-1205-061	3	ADDED ZPD61KCE-PFZ	03-07-06	TM	EC	RST
32-1205-049	2	ADDED ZPD72KCE-TF7	02-17-06	XO	BL	WG
32-0405-050	1	REVISED TO SINGLE PICE LOWER COVER	12-13-05	XO	EC	RST
32-0405-050	0	RELEASED	07-01-05	TM	EC	RST

ENG NOTICE NO. REV. NO. REVISIONS DATE BY CHKD APPR

0 THIS DRAWING AND INFORMATION CONTAINED HEREIN ARE THE EXCLUSIVE PROPERTY OF EMERSON CLIMATE TECHNOLOGIES, INC. AND SHALL BE RETURNED UPON DEMAND AND SHALL NOT BE REPRODUCED IN WHOLE OR IN PART, DISCLOSED TO ANYONE ELSE OR USED, WITHOUT THE WRITTEN CONSENT OF EMERSON CLIMATE TECHNOLOGIES, INC.

MATERIAL SPECIFICATION: N/A
 DRAWN BY: TM
 DATE: 07-01-05
 SUPERSEDES DWG. NO. / REV. NO.:
 SCALE: 3:4
 DATE FORMAT: MM-DD-YY
 DRAWING NUMBER: 497-2856-00
 SHEET 1 OF 1
 DWG SIZE: 5