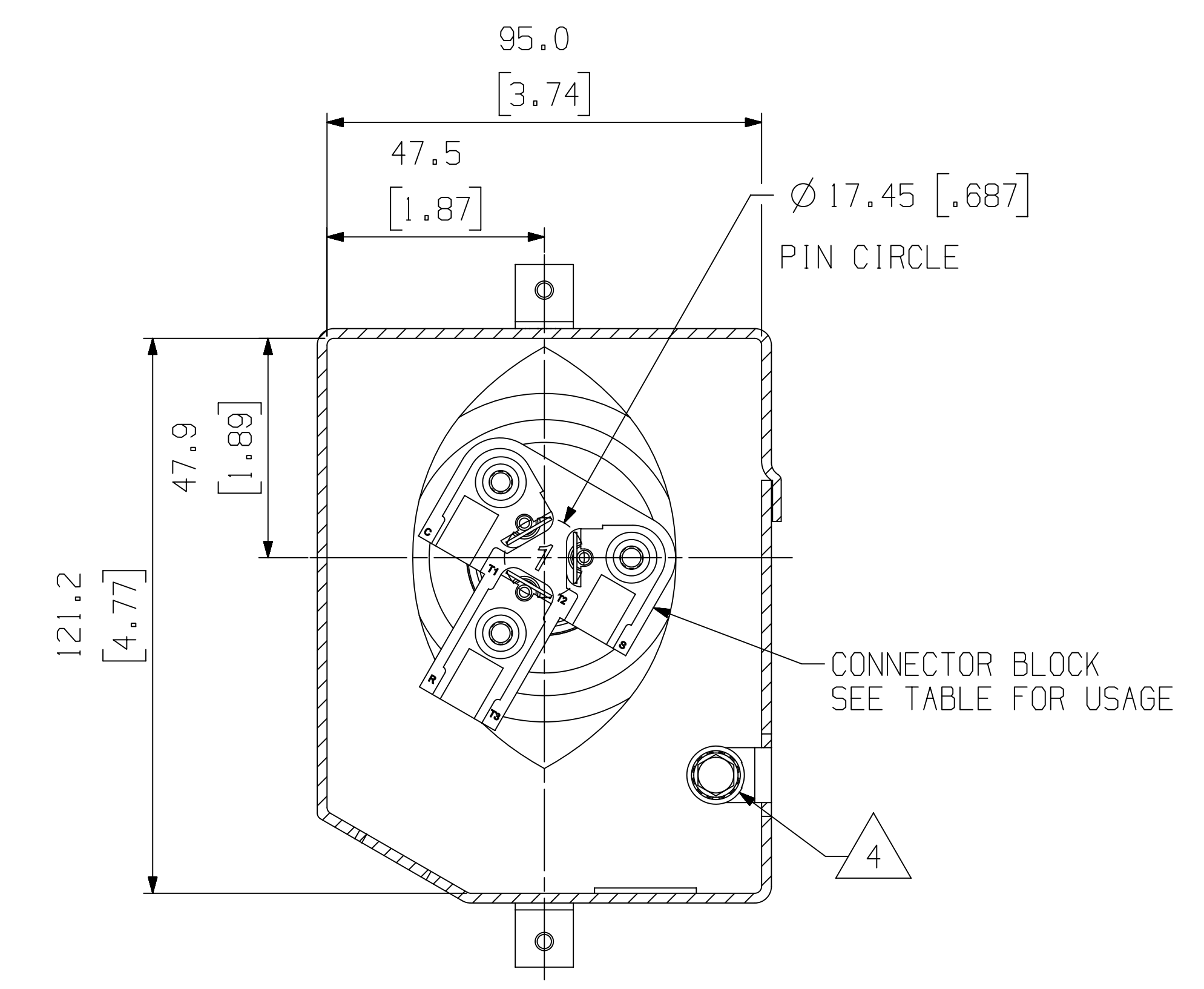
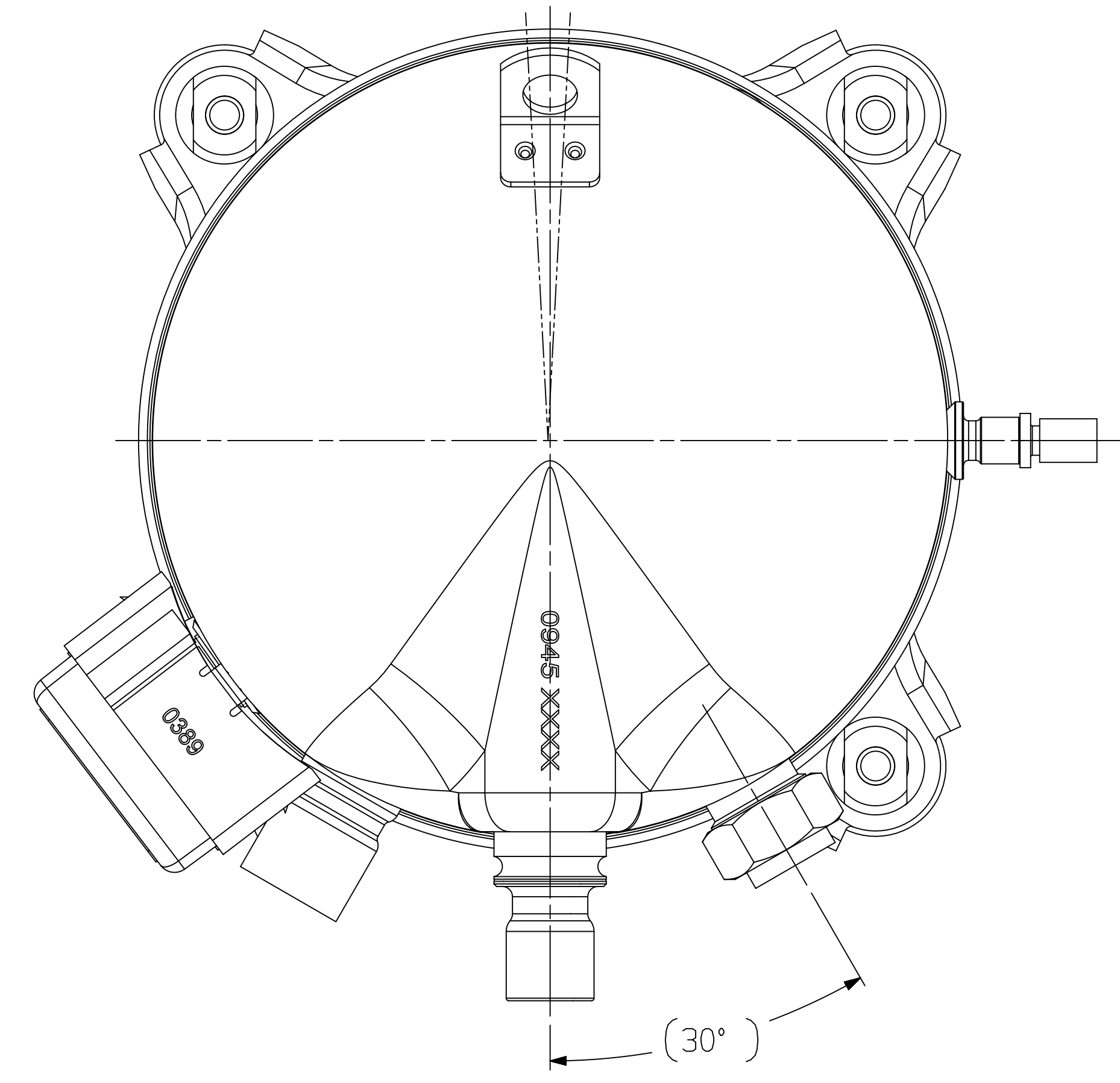
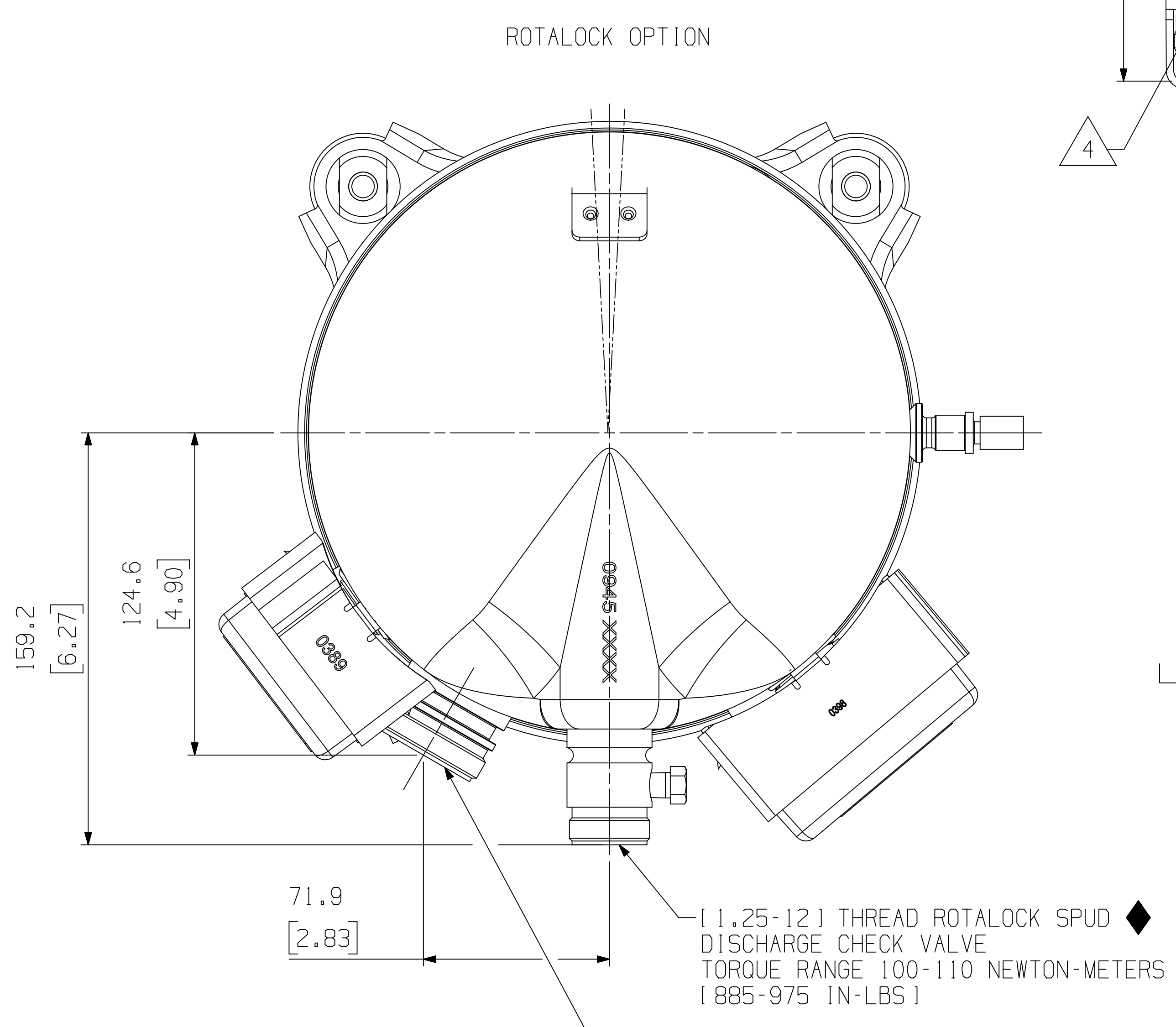
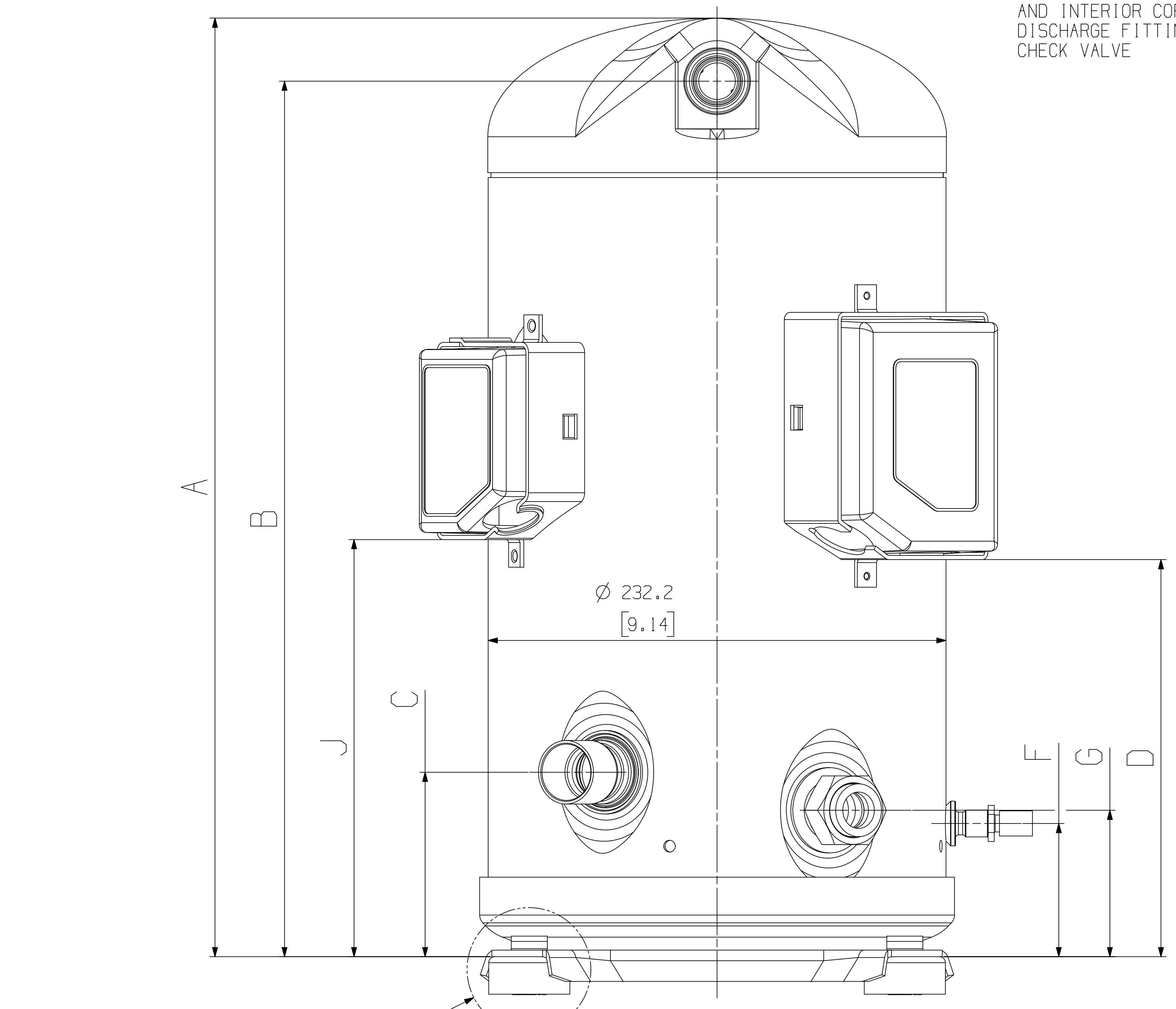
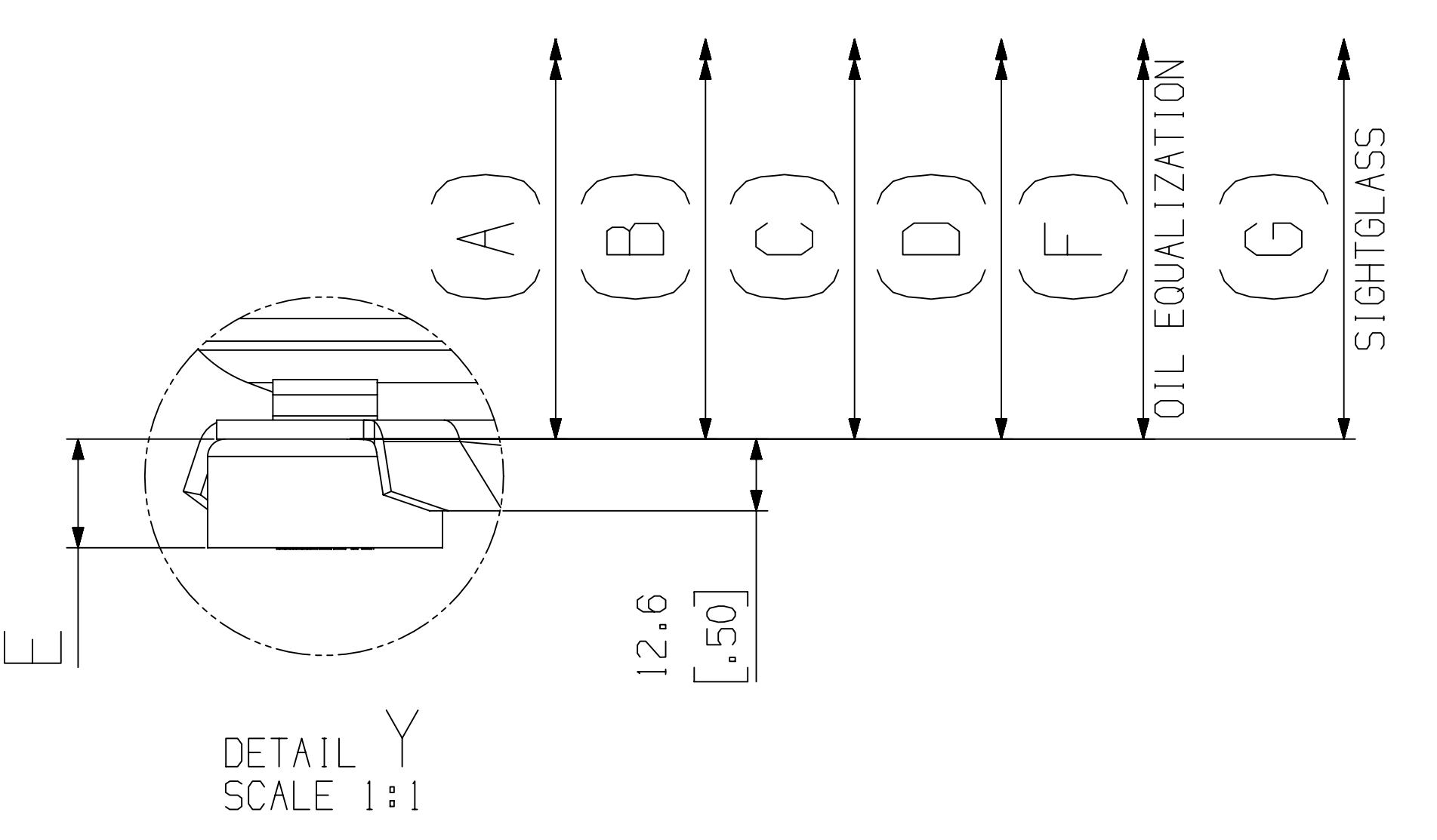
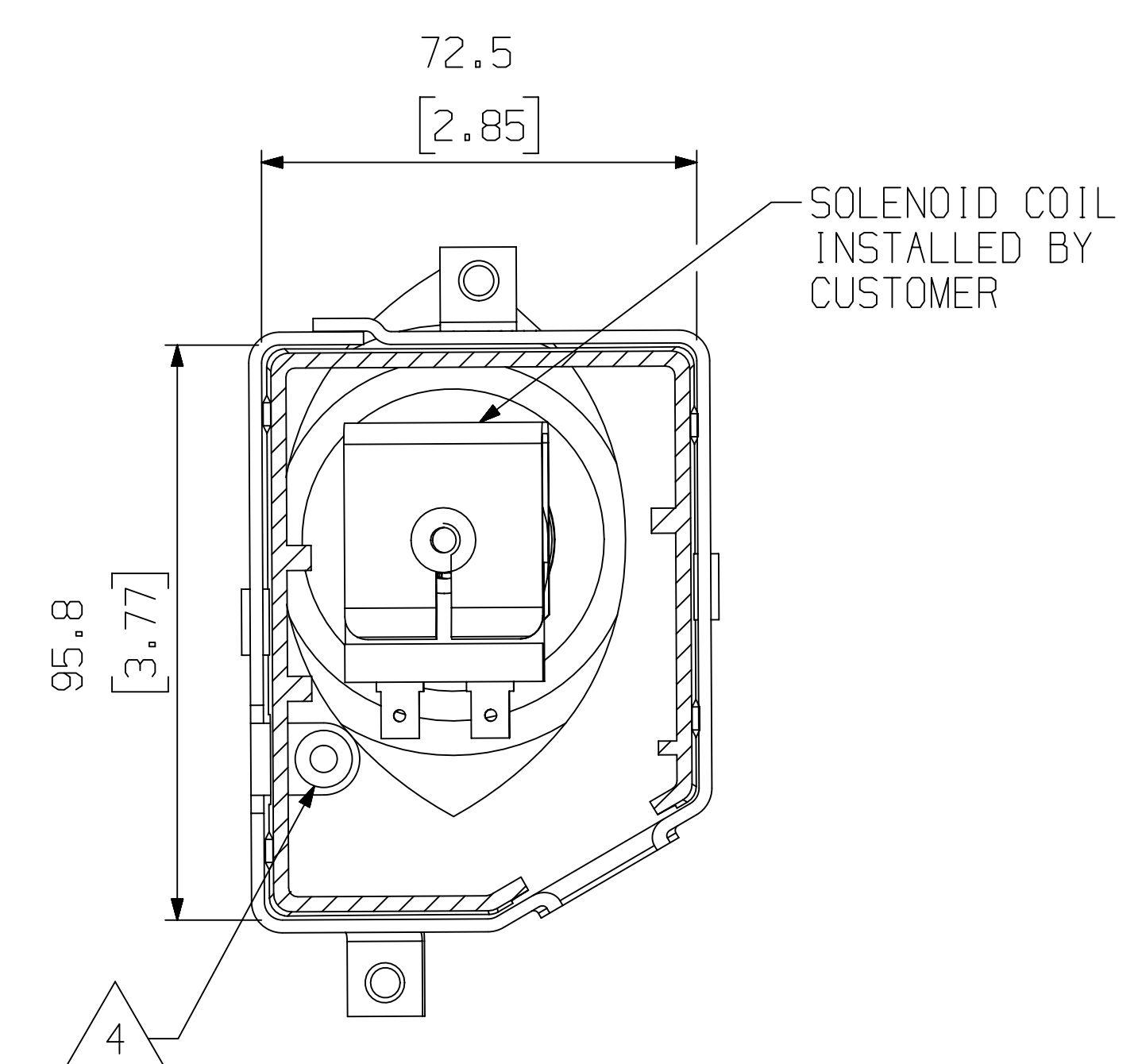


Ø 9.60-9.78 ID  
[0.378-0.385]  
9.40 [0.370] MIN  
M9 X 1.25-66 THRU  
0.06 [0.002] MIN THICK EXTERIOR AND 0.038 [0.0015]  
MIN THICK INTERIOR COPPER PLATED STEEL OIL LEVEL  
FITTING. THREADS TO BE FREE OF COPPER PLATING.



T-BOX LAYOUT STANDARD  
SECTION A-A  
SCALE 1:1



INTERPRET PER ASME  
Y14.5M-1994 AND  
EMERSON CLIMATE  
TECHNOLOGIES, INC.  
DESIGN STANDARDS DS2002  
DO NOT SCALE DRAWING

THIRD ANGLE  
PROJECTION

CRITICAL PRODUCT  
CHARACTERISTICS

UNLESS OTHERWISE SPECIFIED  
DIMENSIONS ARE MILLIMETER OR 1 INCH

1-PLACE :  
2-PLACE :  
ANGULAR : 1

ECN000567	1	SEE SHEET 1	09-25-17	VPK	MD	VC
ECN008643	0	RELEASED	06-30-14	VPV	LLB	KJR
ENG NOTICE NO.	REV. NO.	REVISIONS	DATE	BY	CHKD	APPR
CONFIDENTIALITY NOTICE						
THIS DRAWING AND INFORMATION CONTAINED HEREIN ARE THE EXCLUSIVE PROPERTY OF EMERSON CLIMATE TECHNOLOGIES, INC. AND SHALL BE RETURNED UPON DEMAND AND SHALL NOT BE REPRODUCED IN WHOLE OR IN PART, DISCLOSED TO ANYONE ELSE OR USED, WITHOUT THE WRITTEN CONSENT OF EMERSON CLIMATE TECHNOLOGIES, INC.						
MATERIAL SPECIFICATION		DRAWN BY		SUPERSEDES Dwg. NO. / REV. NO.		
N/A		VPV		SCALE		DATE FORMAT
		06-30-14		3:4		MM-DD-YY
TITLE			DRAWING NUMBER		SHEET 2 OF 2 (ENG)	
REF DWG-WELD COMP ASSM			497-1676-00		5	
SIZE						