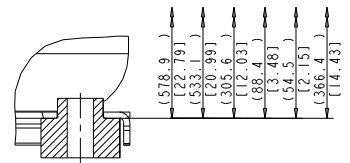
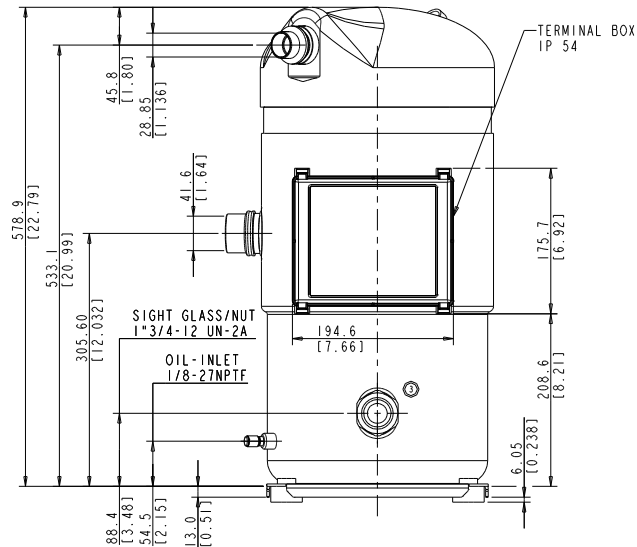
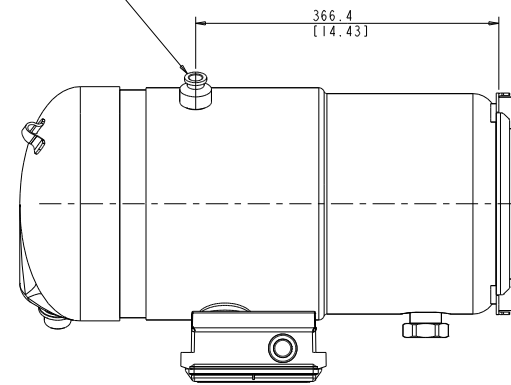
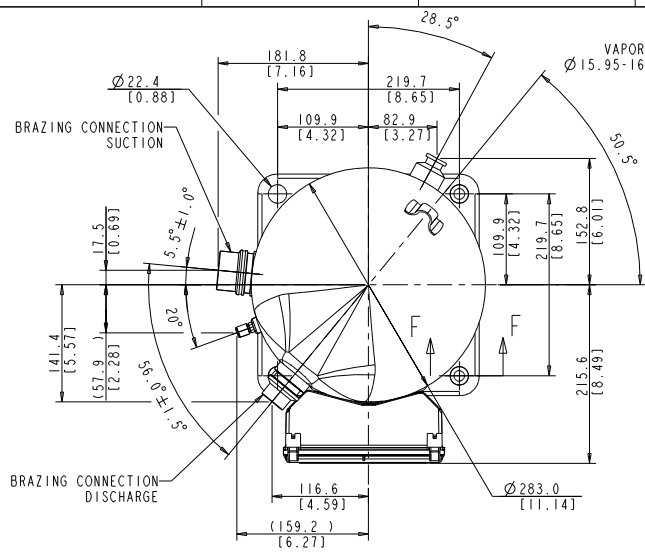


SPECIFICATIONS	
ES NO.	DESCRIPTION
ES92-155	CONVERSION-METRIC



SECTION F-F  
SCALE 1:1



INTERPRET PER ASME  
Y14.5M-1994 AND  
EMERSON CLIMATE  
TECHNOLOGIES, INC.  
DESIGN STANDARDS D22002  
DO NOT SCALE DRAWING  
THIRD ANGLE  
PROJECTION  
CRITICAL PRODUCT  
CHARACTERISTIC  
UNLESS OTHERWISE SPECIFIED  
DIMENSIONS ARE MILLIMETER OR INCH  
TOLERANCES:  
1-PLACE ±  
2-PLACE ±  
ANGULAR ± 0.5°

EMG NOTICE NO.		REV. NO.	REVISIONS	DATE	BY	CHKD	APPR
ECM02343	3	UPDATED PICTORIALY (SIGHT GLASS)	03-23-10	JS	VC		
34-0606-019	2	SPECS REMOVED	05-31-07	SUP	BF	CHK	
32-1205-032	1	SEE SHEET 2	12-21-05	JYU	AF	NH	
32-0604-011	0	RELEASED	06-24-04	JYU	AF	NH	

CONFIDENTIALITY NOTICE  
THIS DRAWING AND INFORMATION CONTAINED HEREIN ARE THE EXCLUSIVE PROPERTY OF EMERSON CLIMATE TECHNOLOGIES, INC. AND SHALL BE RETURNED UPON DEMAND AND SHALL NOT BE REPRODUCED IN WHOLE OR IN PART DISCLOSED TO ANYONE ELSE OR USED, WITHOUT THE WRITTEN CONSENT OF EMERSON CLIMATE TECHNOLOGIES, INC.

18

TITLE	REF. DWG-WELDED COMP. ASSM	DRAWN BY	JYU	DATE	06-24-04	SCALE	2:5	DATE FORMAT:	MM-DD-YY
MATERIAL SPECIFICATION	N/A	SUPERSEDES DWG. NO. / REV. NO.						DRAWING NUMBER	497-0389-00
								SHEET 1 OF 2	4