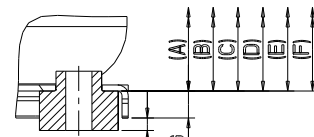
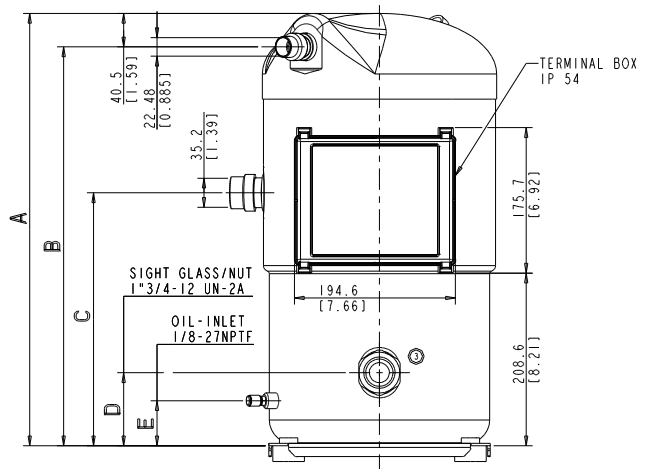
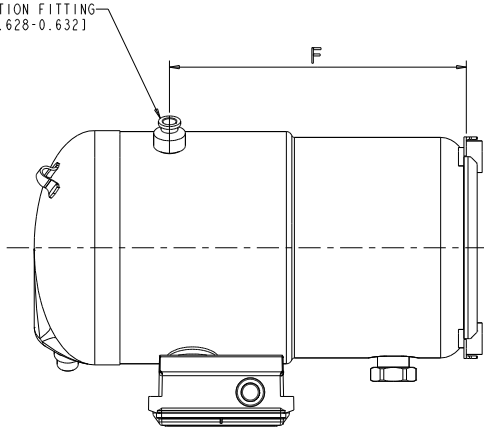
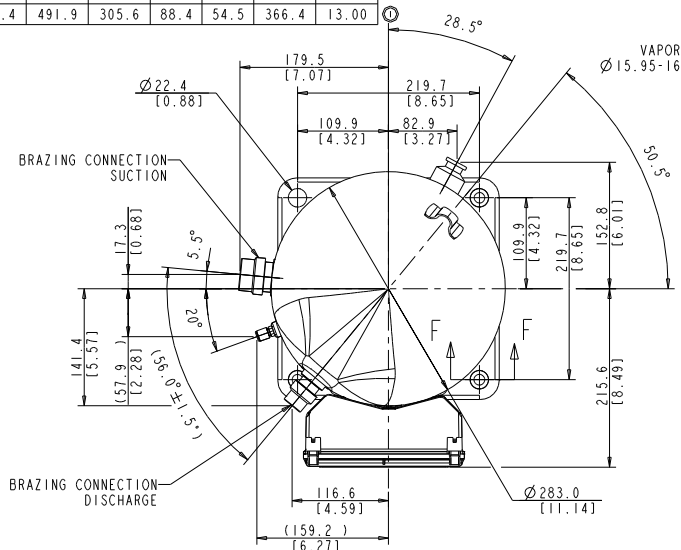


PART NUMBER	MODEL	A	B	C	D	E	F	G
497-0388-00	ZH24KVE ZH33KVE	524.8	484.3	305.6	88.4	54.5	358.8	13.00
497-0388-01	ZH40KVE	532.4	491.9	305.6	88.4	54.5	366.4	13.00

SPECIFICATIONS	
ES NO.	DESCRIPTION
ES92-155	CONVERSION-METRIC



SECTION F-F  
SCALE 1:1



INTERPRET PER ASME  
Y14.5M-1994 AND  
EMERSON CLIMATE  
TECHNOLOGIES, INC.  
DESIGN STANDARDS DS2002  
DO NOT SCALE DRAWING  
THIRD ANGLE  
PROJECTION  
CRITICAL PRODUCT  
CHARACTERISTIC  
UNLESS OTHERWISE SPECIFIED  
DIMENSIONS ARE MILLIMETER OR (INCH)  
TOLERANCES:  
1-PLACE ±  
2-PLACE ±  
ANGULAR ± 0.5°

ECN/02343	3	UPDATED PICTORIALY (SIGHT GLASS)	03-23-10	JS	VC
34-0606-019	2	SPECS REMOVED	05-31-07	SUP	BF
32-1205-032	1	WAS: 16.00, NOW: 13.00	12-19-05	JYU	OD
32-0604-011	0	RELEASED	06-24-04	JYU	NM
ENG NOTICE NO.	REV. NO.	REVISIONS	DATE	BY	CHKD APPR
18		CONFIDENTIALITY NOTICE THIS DRAWING AND INFORMATION CONTAINED HEREIN ARE THE EXCLUSIVE PROPERTY OF EMERSON CLIMATE TECHNOLOGIES, INC. AND SHALL BE RETURNED UPON DEMAND AND SHALL NOT BE REPRODUCED IN WHOLE OR IN PART DISCLOSED TO ANYONE ELSE OR USED, WITHOUT THE WRITTEN CONSENT OF EMERSON CLIMATE TECHNOLOGIES, INC.			
		MATERIAL SPECIFICATION	DATE	SUPERSEDES Dwg. NO. / REV. NO.	
		N/A	06-24-04	SCALE	DATE FORMAT:
				2:5	MM-DD-YY
		TITLE	DRAWING NUMBER	SHEET 1 OF 2	PLC
		REF. DWG-WELDED COMP. ASSM	497-0388-00	4	1/10