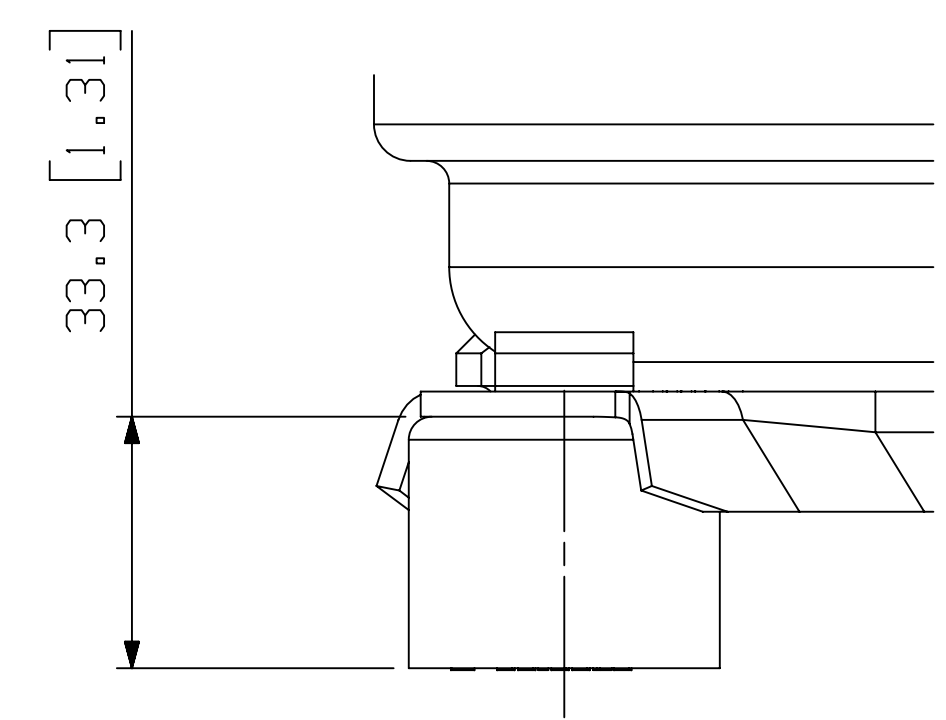
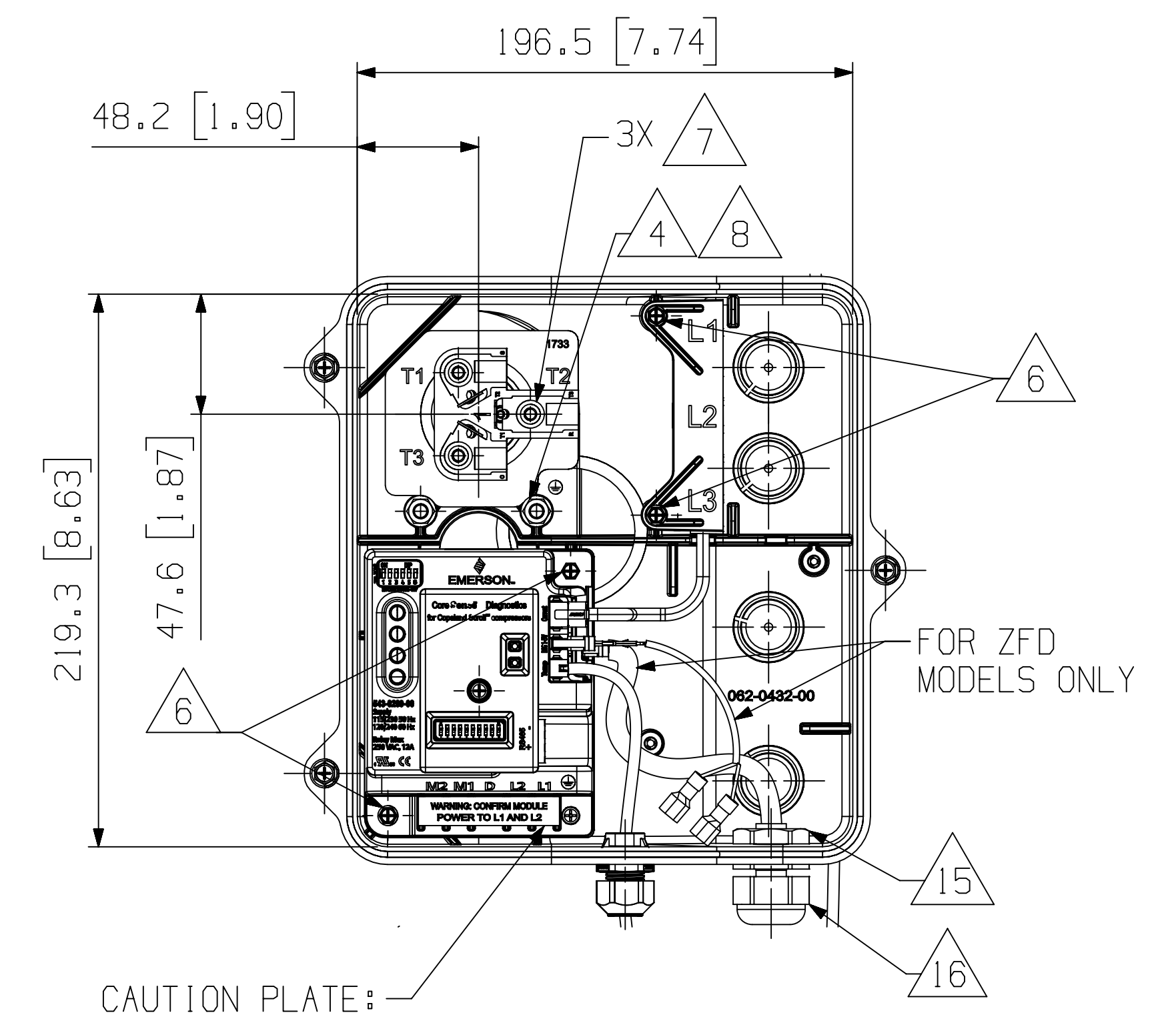


SIGHTGLASS LAYOUT
T-BOX REMOVED

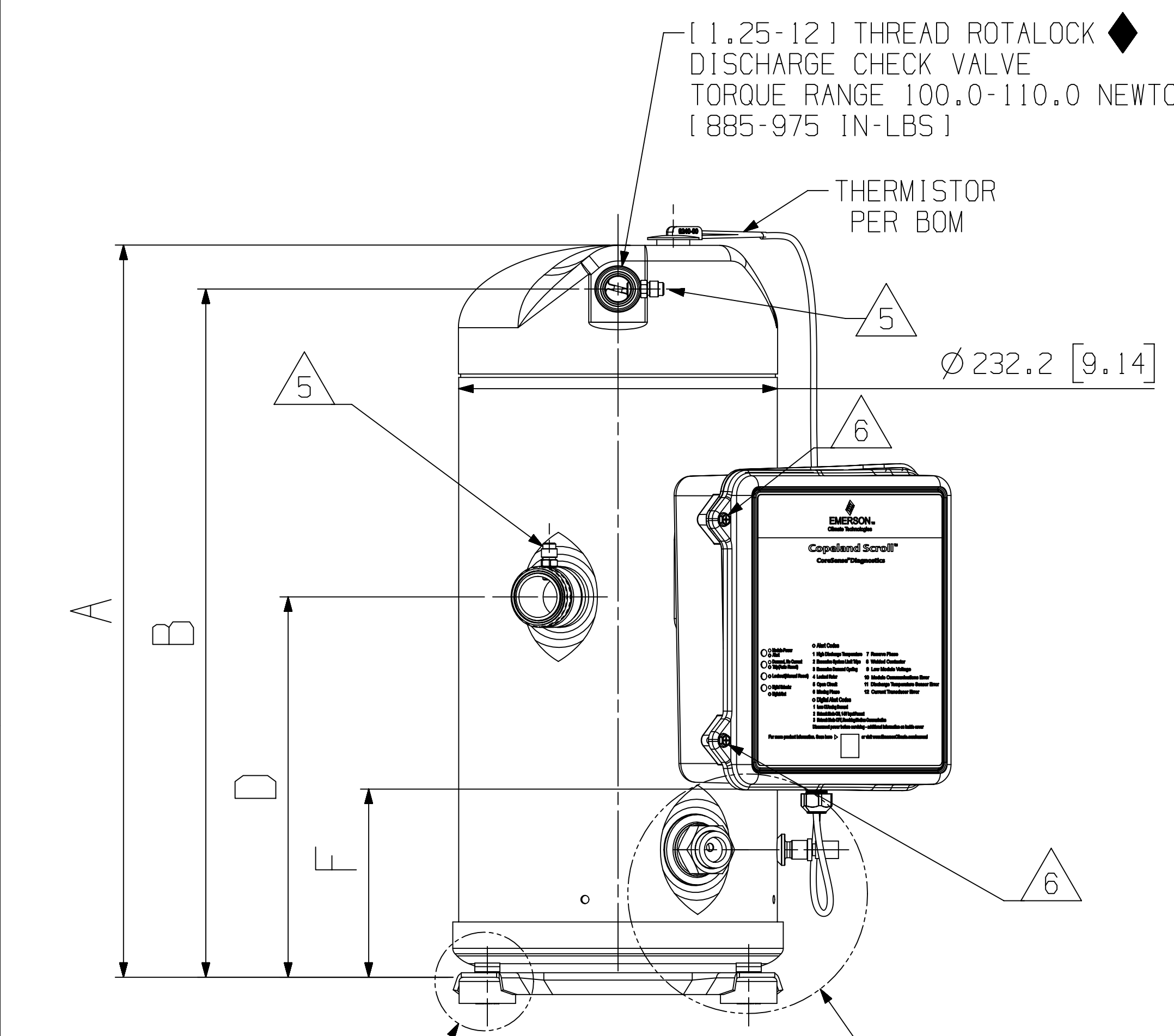


DETAIL FOOT SCALE 1:1

ONLY FOR ZF49/54K5E & ZFD54K5E

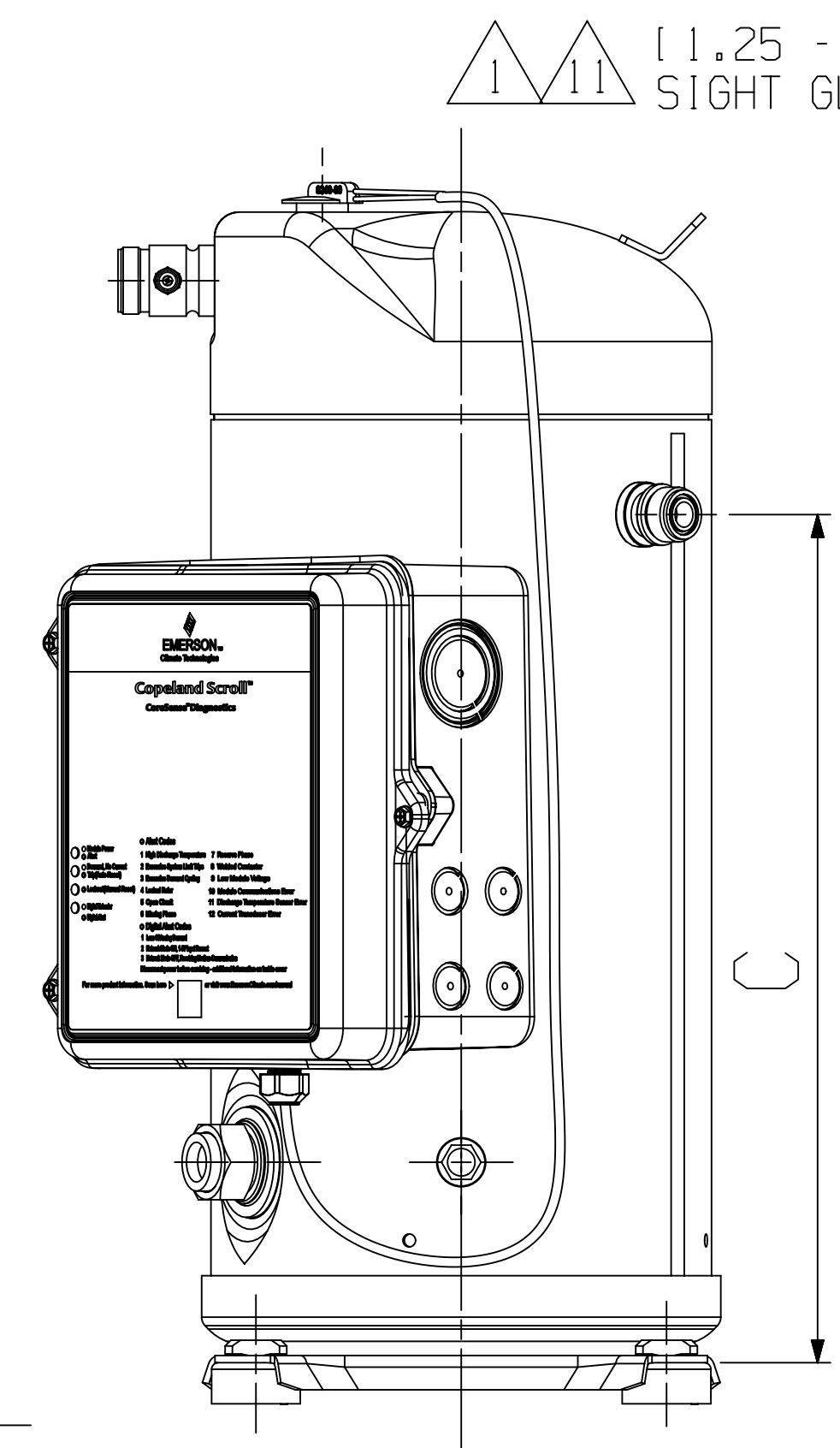


T-BOX LAYOUT
COVER REMOVED
SCALE 1:2

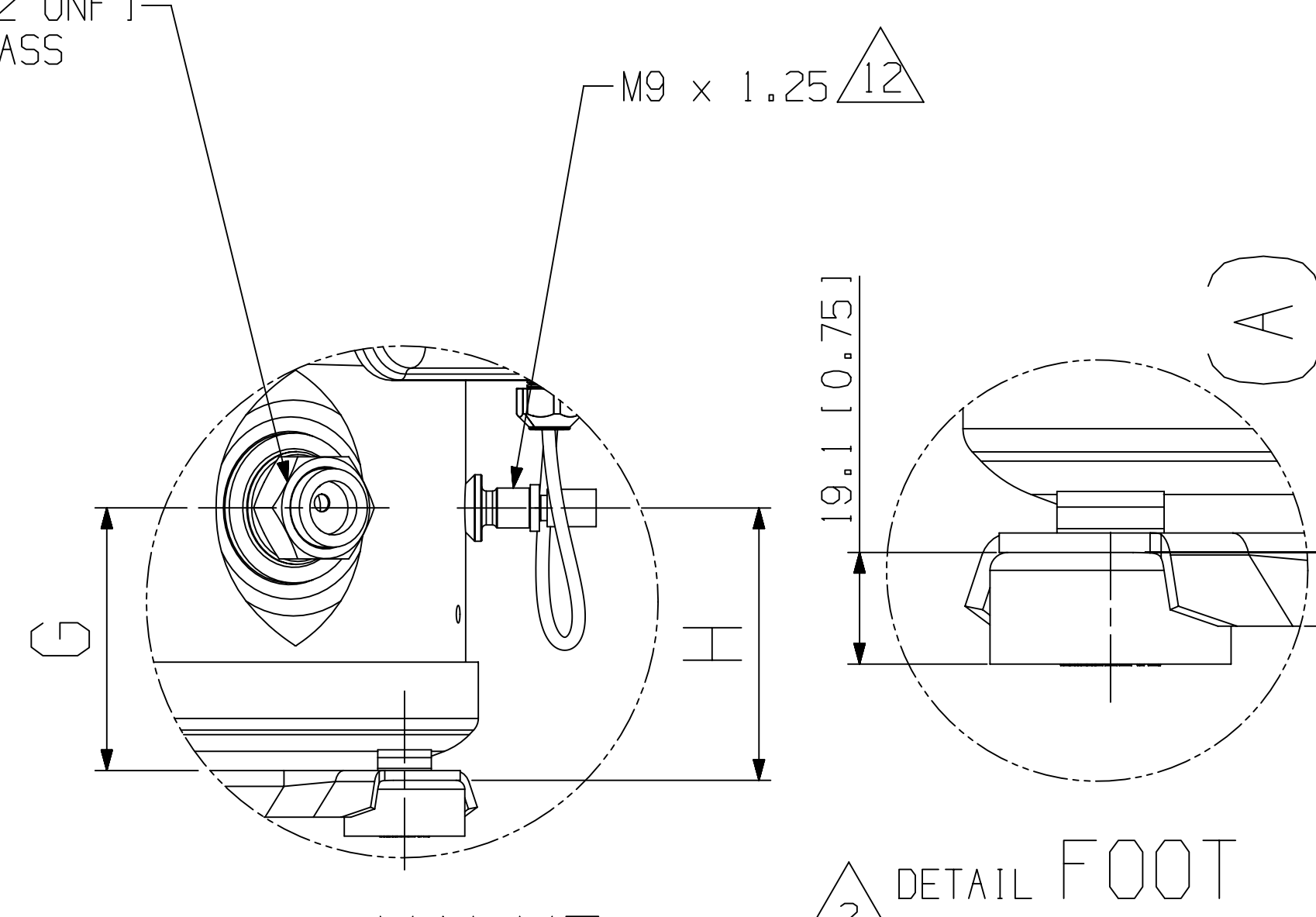


SEE DETAIL FOOT

SEE DETAIL VALVE



DETAIL VALVE
SCALE 1:2



DETAIL FOOT SCALE 1:1

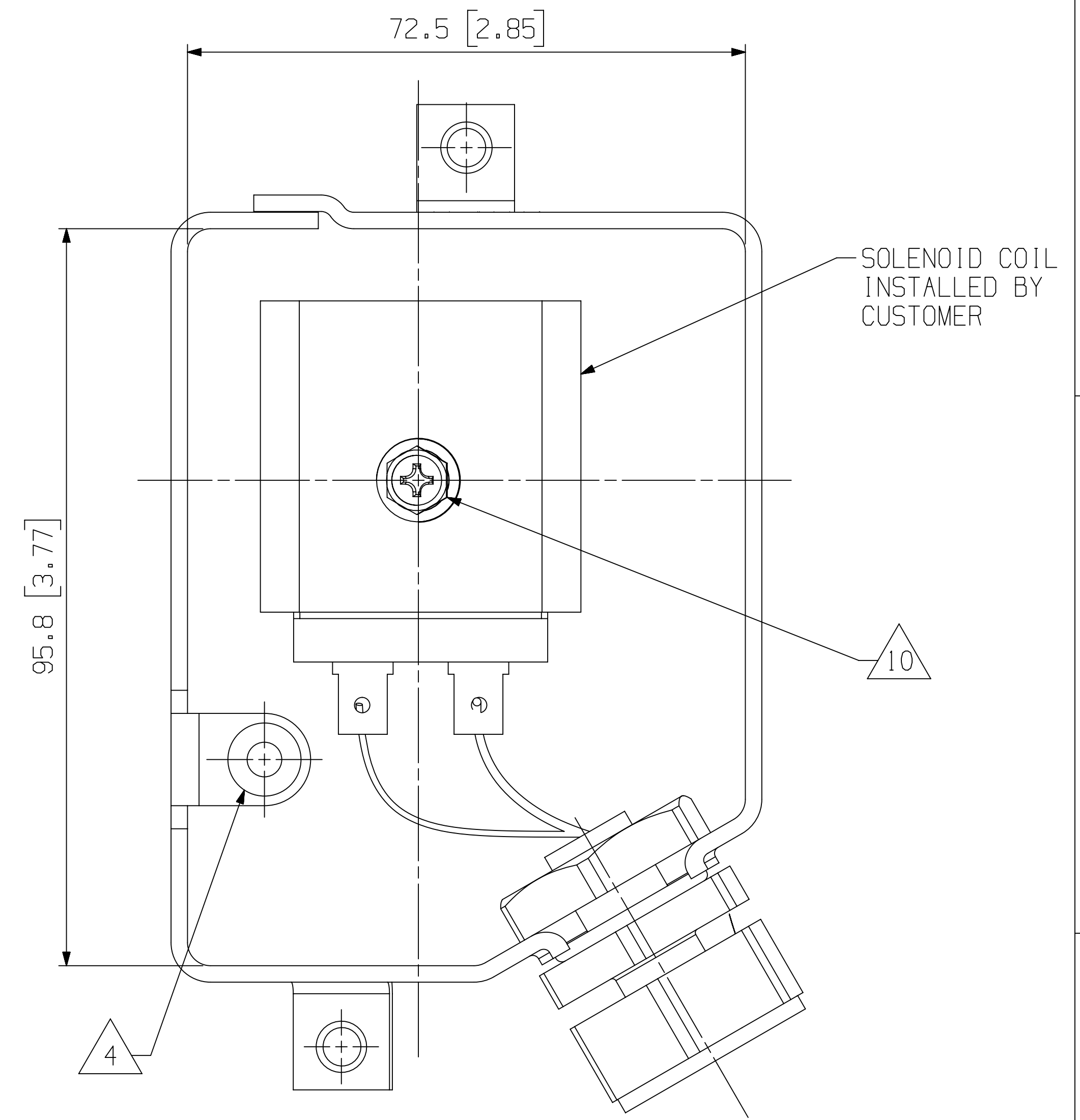
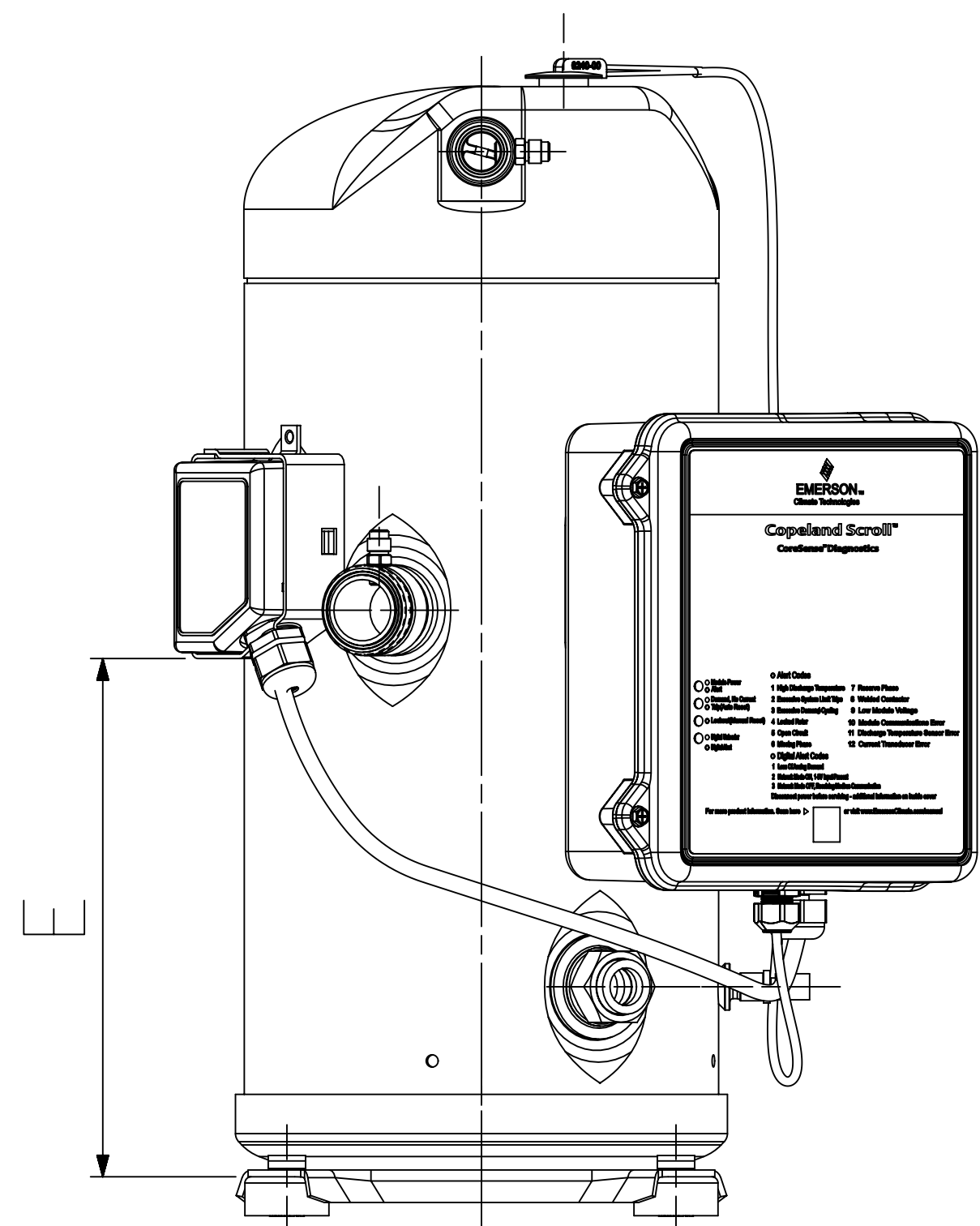
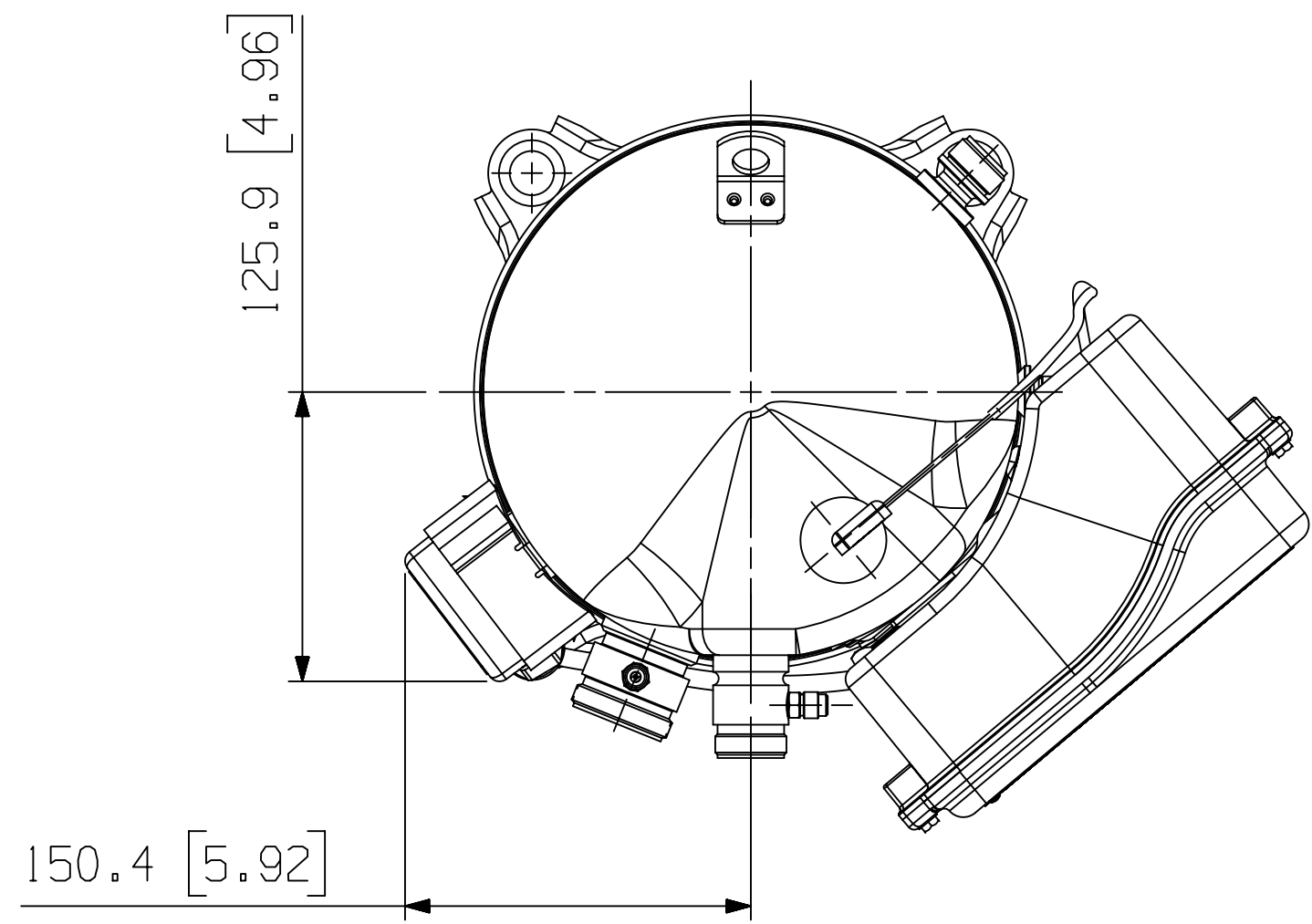


INTERPRET PER ASME Y14.5M-1994 AND EMERSON DESIGN STANDARDS DS2002
DO NOT SCALE DRAWING
CRITICAL PRODUCT CHARACTERISTICS
UNLESS OTHERWISE SPECIFIED DIMENSIONS ARE MILLIMETER OR (INCH)
TOLERANCES:
1-PLACE +
2-PLACE +
ANGULAR 1

ECN309725	20	DIMENSIONS UPDATED	01-08-19	SVR	AMN
ECN102466	19	PICTORIALLY REVISED PRINT	08-29-16	AMN	PR1
ECN100066	18	REDRAWN & OBSOLETE -05	04-07-16	BSS	PR1
ECN001479	0	RELEASED	12-09-09	YKN	DC
ENG NOTICE NO.	REV. NO.	REVISIONS	DATE	BY	CHKD
CONFIDENTIALITY NOTICE					
15	THIS DRAWING AND INFORMATION CONTAINED HEREIN ARE THE EXCLUSIVE PROPERTY OF EMERSON CLIMATE TECHNOLOGIES, INC AND/OR ITS AFFILIATES (COLLECTIVELY "EMERSON") AND SHALL BE RETURNED UPON DEMAND AND SHALL NOT BE REPRODUCED IN WHOLE OR IN PART, DISCLOSED TO ANYONE ELSE OR USED, WITHOUT THE WRITTEN CONSENT OF EMERSON.				
MATERIAL SPECIFICATION		DRAWN BY	SUPERSEDES DWG NO / REV NO		
N/A		BSS	497-0897-00 / 017		
		DATE	SCALE	DATE FORMAT:	
		04-07-16	1:1	MM-DD-YY	
TITLE			DRAWING NUMBER	SHEET 2 OF 4 DWG	
REF DWG-WELD COMP ASSM			497-0897-00	4	
			SIZE		

PART NUMBER

497-0897-03



SOLENOID VALVE T-BOX
SCALE 2:1

ECN309725	20	SEE SHEET 2	01-08-19	SVR	AMN
ECN102466	19	PICTORIALLY REVISED PRINT	08-29-16	AMN	PR I
ECN100066	18	SEE SHEET 1, 2 & 4	04-07-16	BSS	PR I
ECN001479	0	RELEASED	12-09-09	YKN	DC
ENG NOTICE NO.	REV. NO.	REVISIONS	DATE	BY	CHKD

15 CONFIDENTIALITY NOTICE
THIS DRAWING AND INFORMATION CONTAINED HEREIN ARE THE EXCLUSIVE PROPERTY OF EMERSON CLIMATE TECHNOLOGIES, INC AND/OR ITS AFFILIATES (COLLECTIVELY "EMERSON") AND SHALL BE RETURNED UPON DEMAND AND SHALL NOT BE REPRODUCED IN WHOLE OR IN PART, DISCLOSED TO ANYONE ELSE OR USED, WITHOUT THE WRITTEN CONSENT OF EMERSON.



INTERPRET PER ASME
Y14.5M-1994 AND
EMERSON DESIGN
STANDARDS DS2002

DO NOT SCALE DRAWING

CRITICAL PRODUCT CHARACTERISTICS

UNLESS OTHERWISE SPECIFIED
DIMENSIONS ARE MILLIMETER OR (INCH)

TOLERANCES:
1-PLACE : ± 0.13
2-PLACE : ± 0.25
ANGULAR : ± 1

MATERIAL SPECIFICATION	DRAWN BY	SUPERSEDES DWG NO / REV NO
N/A	BSS	497-0897-00 / 017
TITLE	DATE	SCALE
REF DWG-WELD COMP ASSM	04-07-16	1:1
DRAWING NUMBER	DATE	DATE FORMAT
497-0897-00	MM-DD-YY	MM-DD-YY
SHEET 3 OF 4 DWG	SIZE	
	4	

PART NUMBER

497-0897-04

497-0897-05

18

T-BOX ON ZFD MODELS ONLY

125.9 [4.96]

150.4 [5.92]

72.5 [2.85]

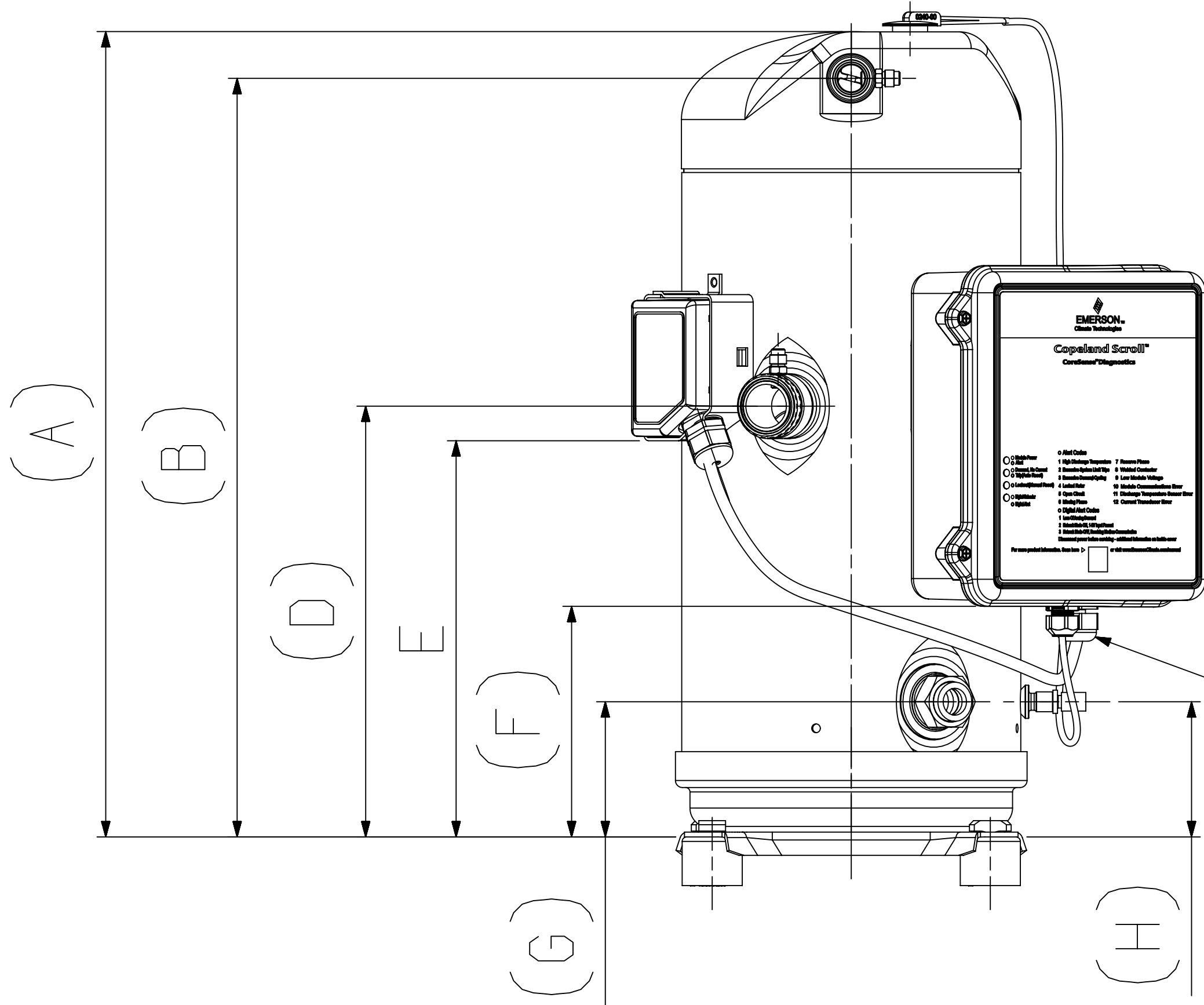
95.8 [3.77]

SOLENOID COIL
INSTALLED BY
CUSTOMER

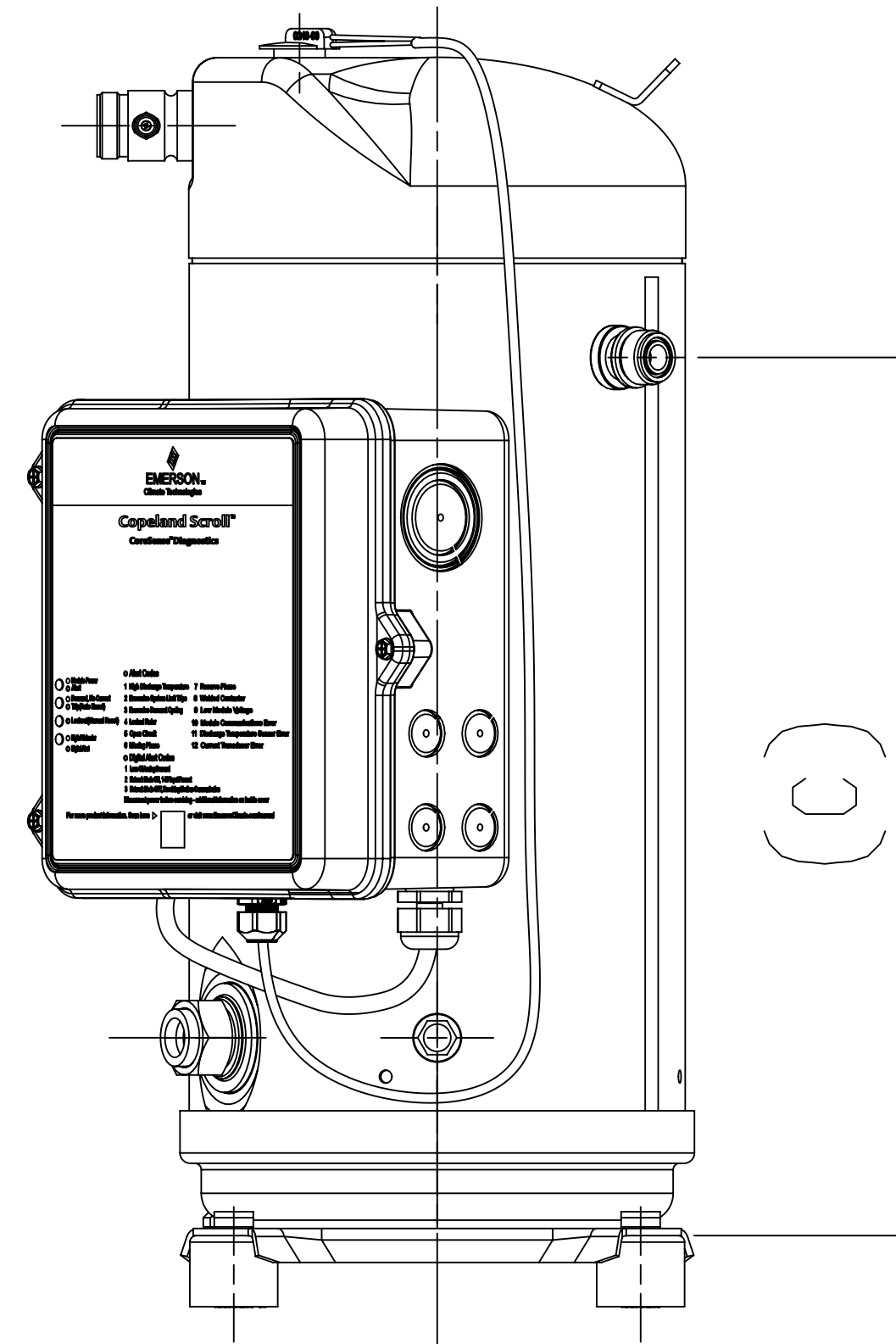
10

4

SOLENOID VALVE T-BOX
SCALE 2:1



DIGITAL TRAY CABLE
ON ZFD MODELS ONLY



INTERPRET PER ASME
Y14.5M-1994 AND
EMERSON DESIGN
STANDARDS DS2002
DO NOT SCALE DRAWING
CRITICAL PRODUCT
CHARACTERISTICS
UNLESS OTHERWISE SPECIFIED
DIMENSIONS ARE MILLIMETER OR (INCH)
TOLERANCES:
1-PLACE +
2-PLACE +
ANGULAR ±

ECN309725	20	SEE SHEET 2	01-08-19	SVR	AMN
ECN102466	19	PICTORIALLY REVISED PRINT	08-29-16	AMN	PR1
ECN100066	18	REDRAWN & OBSOLETE -05	04-07-16	BSS	PR1
ECN001479	0	RELEASED	12-09-09	YKN	DC
ENG NOTICE NO.	REV. NO.	REVISIONS	DATE	BY	CHKD

15
CONFIDENTIALITY NOTICE
THIS DRAWING AND INFORMATION CONTAINED HEREIN ARE THE EXCLUSIVE PROPERTY OF EMERSON CLIMATE TECHNOLOGIES, INC AND/OR ITS AFFILIATES (COLLECTIVELY "EMERSON") AND SHALL BE RETURNED UPON DEMAND AND SHALL NOT BE REPRODUCED IN WHOLE OR IN PART, DISCLOSED TO ANYONE ELSE OR USED, WITHOUT THE WRITTEN CONSENT OF EMERSON.

MATERIAL SPECIFICATION	DRAWN BY	SUPERSEDES DWG NO / REV NO
N/A	BSS	497-0897-00 / 017
TITLE	DATE	SCALE
REF DWG-WELD COMP ASSM	04-07-16	1:1
DRAWING NUMBER	DATE FORMAT	SHEET 4 OF 4 DWG
497-0897-00	MM-DD-YY	4
SIZE		

UNCONTROLLED - DO NOT MODIFY

© COPYRIGHT EMERSON - CONFIDENTIAL