

PART NUMBER	MODEL NUMBER	A	B	C	D	E	F	G	H	SHEET
497-0897-02	ZF34/41K5E	533.6 [21.01]	501.8 [19.76]	393.3 [15.48]	277.3 [10.92]	OMIT	140.3 [5.53]	93.0 [3.66]	93.0 [3.66]	SHEET 1,2
497-0897-03	ZFD41K5E	533.6 [21.01]	501.8 [19.76]	393.3 [15.48]	277.3 [10.92]	253.7 [9.99]	140.3 [5.53]	93.0 [3.66]	93.0 [3.66]	SHEET 1,2,3
497-0897-04	ZF49/54K5E	551.5 [21.71]	519.5 [20.45]	411.0 [16.18]	295.0 [11.61]	OMIT	158.0 [6.22]	92.6 [3.64]	92.6 [3.64]	SHEET 1,2,4
497-0897-05	ZFD54K5E	551.5 [21.71]	519.5 [20.45]	411.0 [16.18]	295.0 [11.61]	271.3 [10.68]	158.0 [6.22]	92.6 [3.64]	92.6 [3.64]	SHEET 1,2,4

SPECIFICATIONS	
ES NO.	DESCRIPTION
ES92-155	CONVERSION-METRIC

NOTES:

1 ALL TOLERANCES ± 1.5 [0.06] UNLESS OTHERWISE SPECIFIED. DUE TO ACCUMULATED ASSEMBLY TOLERANCES THE LISTED COMPONENTS MAY VARY FROM THE MOUNTING HOLES AS TABULATED.

◆ SUCTION FITTING: ± 3.0 [0.12]

◆ DISCHARGE FITTING: ± 3.0 [0.12]

2 MOUNTING KIT: 527-0116-00

3. TUBE ENDS MUST BE PLUGGED.

4 GROUNDING NUT.

5 TORQUE 23-25 NM [200-220 IN LBS]

6 TORQUE 1-1.2 NM [9-11 IN LBS]

7 TORQUE 1.4-1.7 NM [12-15 IN LBS]

8 TORQUE 3.6-4.4 NM [32-39 IN LBS]

9. USE COPPER 75° C CONDUCTORS ONLY. USE THIS EQUIPMENT ON A GROUNDED SYSTEM ONLY. PRIMARY SINGLE PHASE FAILURE PROTECTION IS PROVIDED. PROTECTION MODULES AND OPTIONAL CRANKCASE HEATER MUST BE CONNECTED ONLY TO THEIR RATED VOLTAGE. OVERCURRENT PROTECTION DEVICE RATING AND TYPE MUST BE IN ACCORDANCE WITH REGULATION AND PRODUCT APPROVALS. SEE SYSTEM NAMEPLATE FOR MORE DETAILS REFER LABEL DRAWING 052-2602-00

10 TORQUE 2.5-3.1 NM [22.5-27.5 IN LBS]

11 TORQUE 45.5-53.6 NM [405-475 IN LBS]

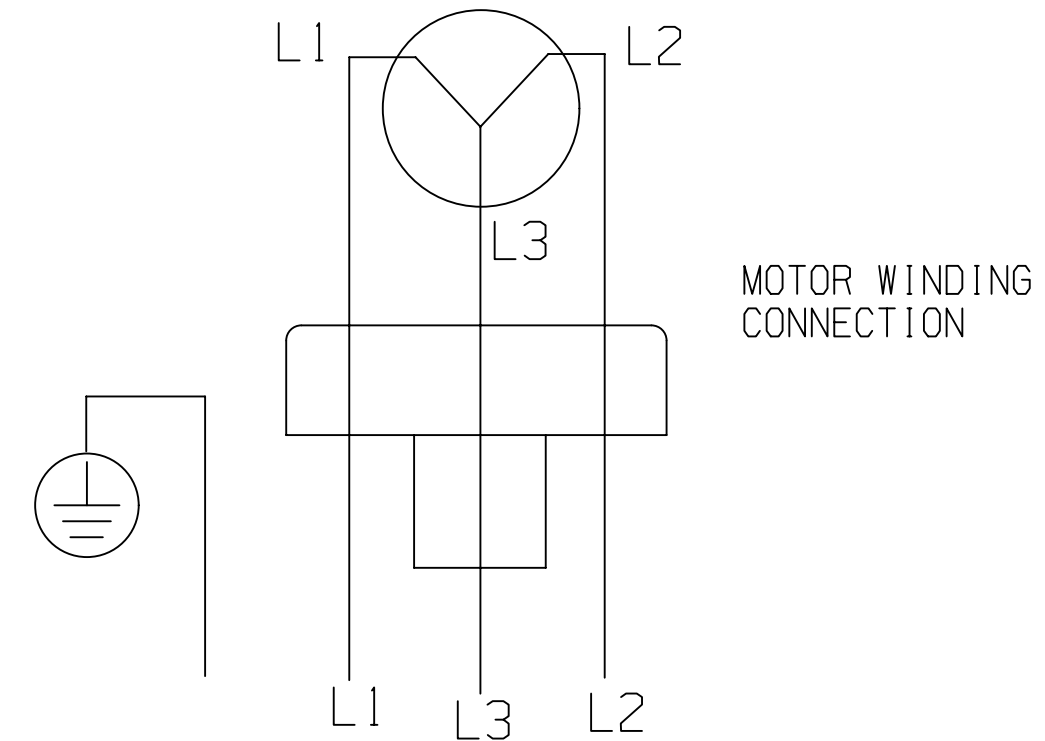
12 TORQUE 4.5-6.8 NM [40-60 IN LBS]

13 TORQUE 67.8-78.0 NM [600-690 IN LBS]

14 MOUNTING KIT: 527-0210-00

15 TORQUE 4.5-5.1 NM [40-45 IN LB]

16 TORQUE 5.7-6.8 NM [50-60 IN LB]



INTERPRET PER ASME Y14.5M-1994 AND EMERSON DESIGN STANDARDS DS2002

DO NOT SCALE DRAWING

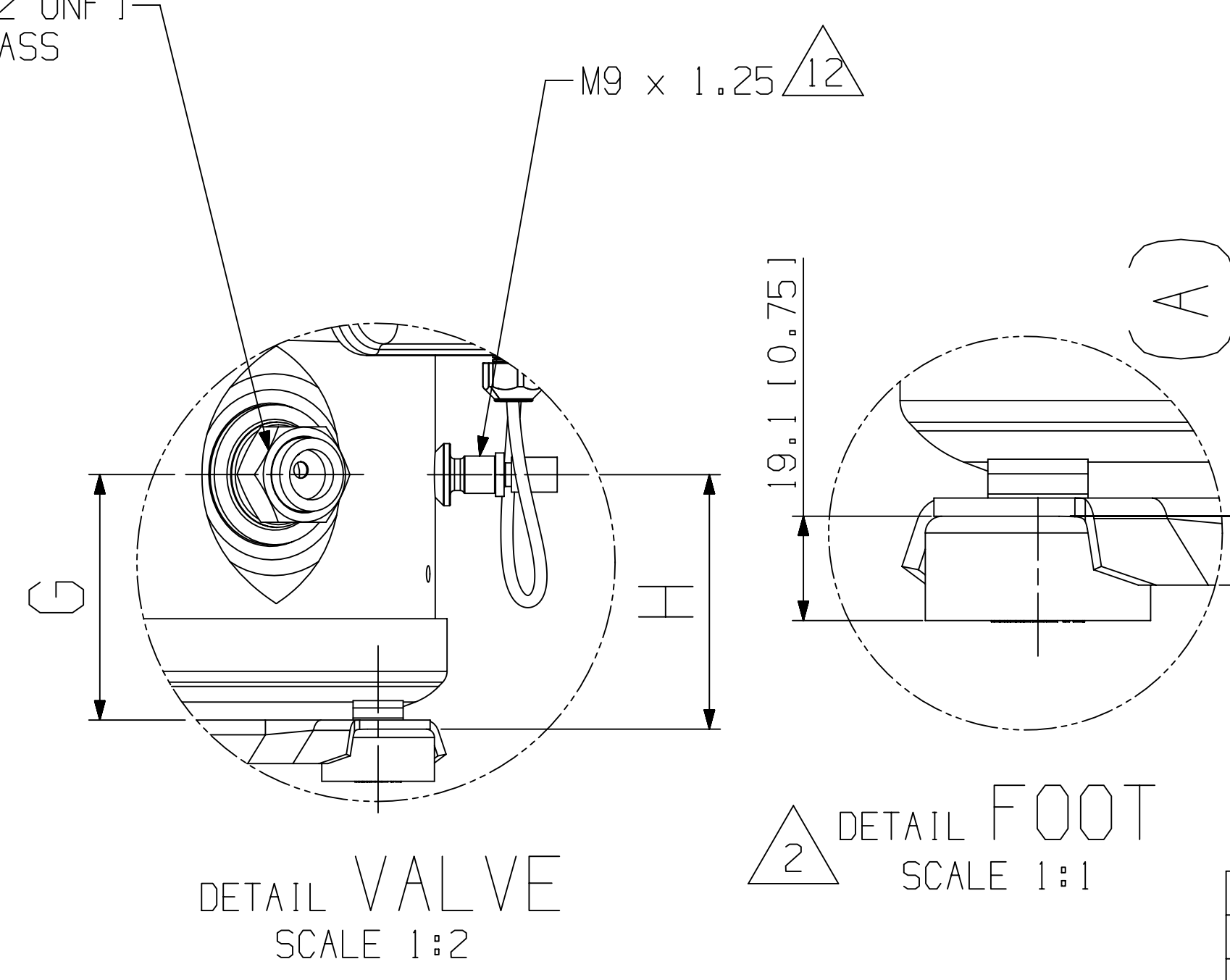
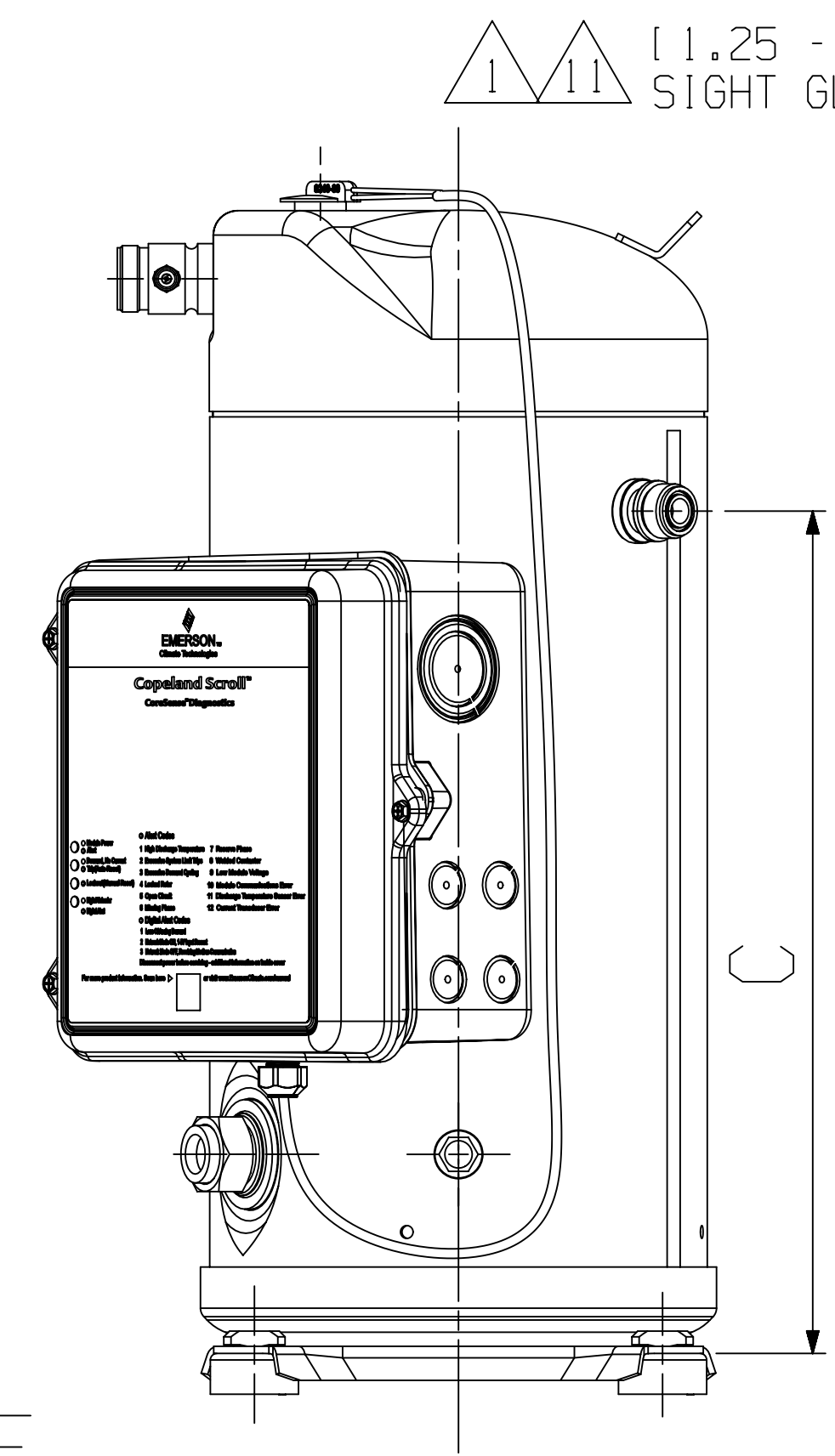
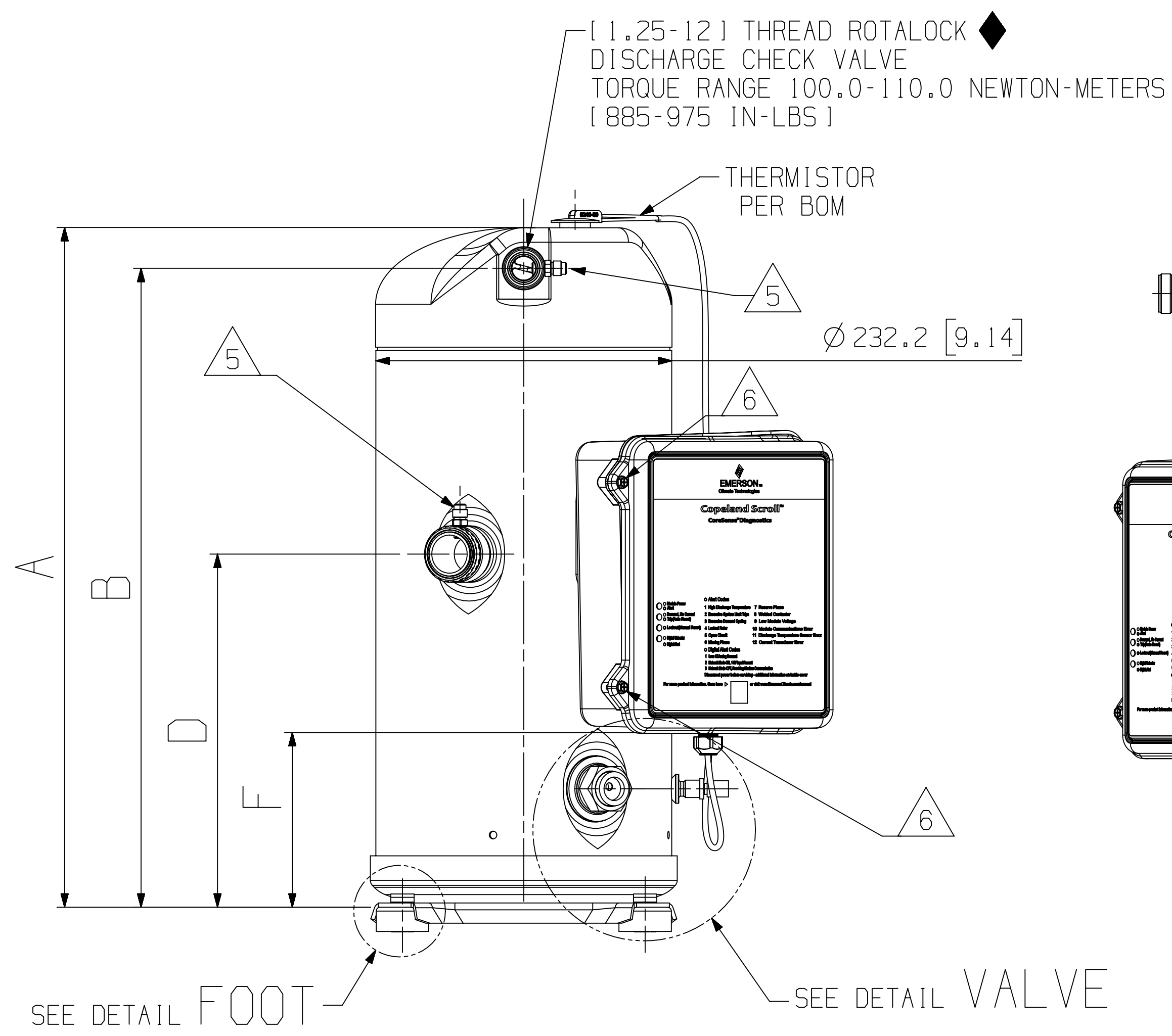
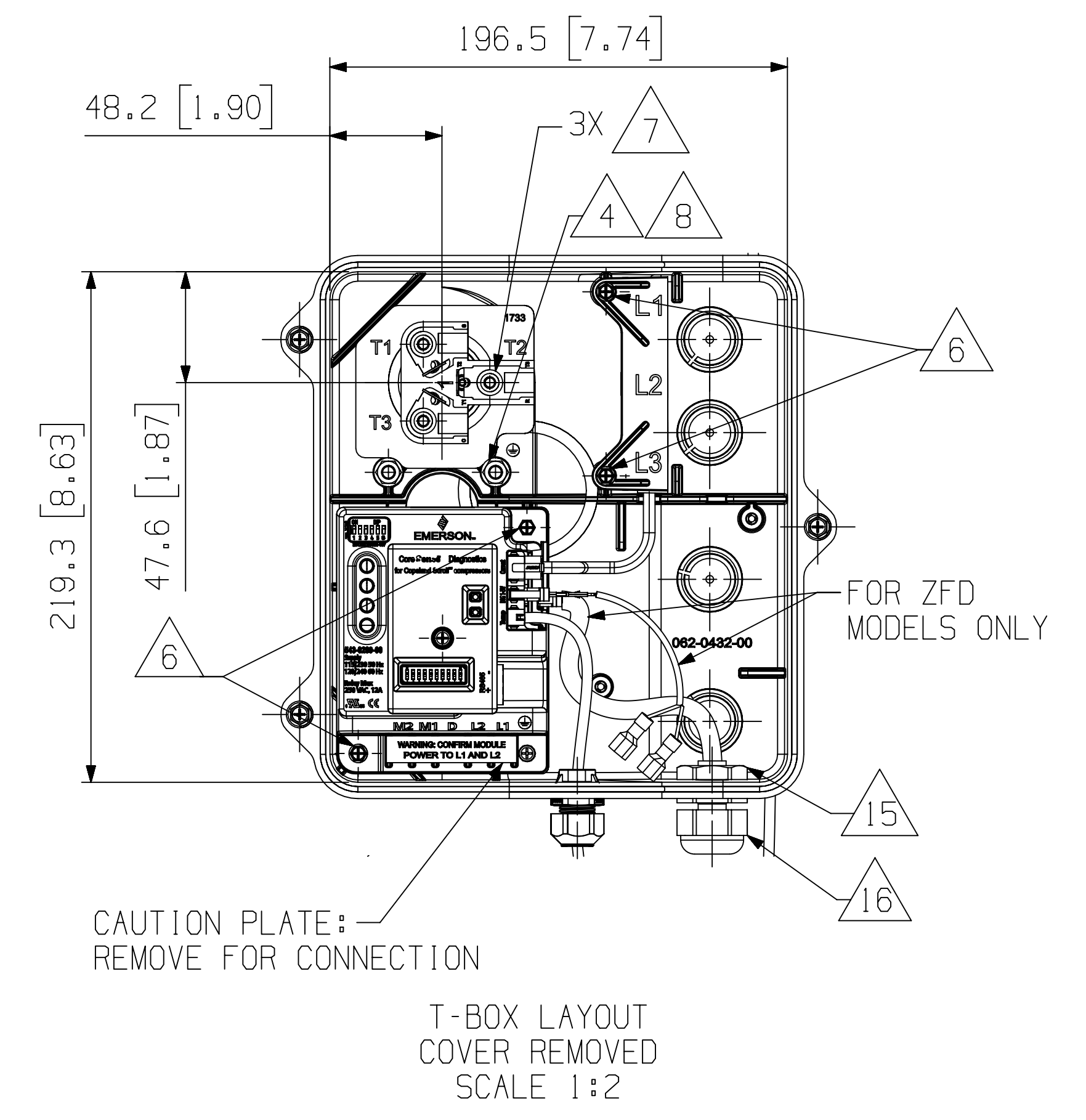
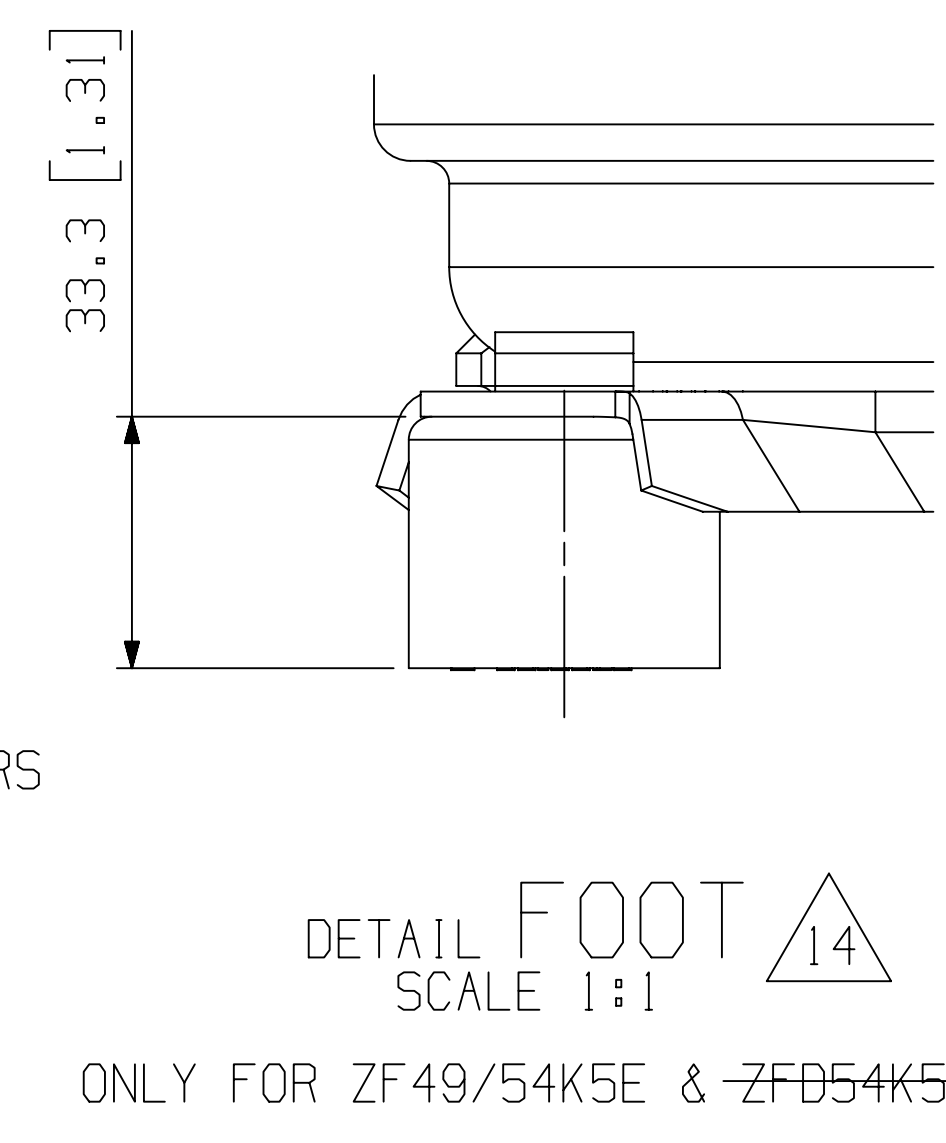
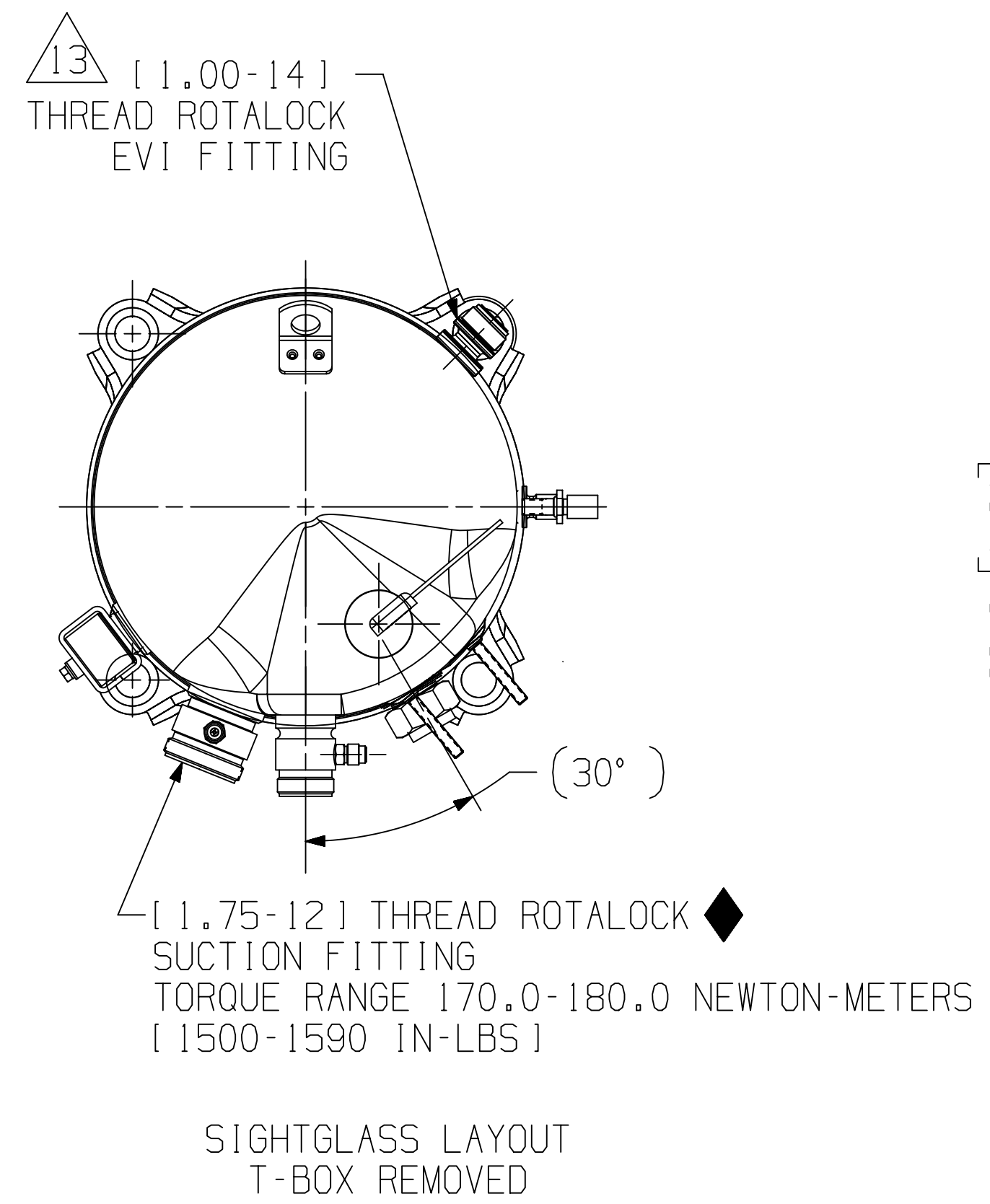
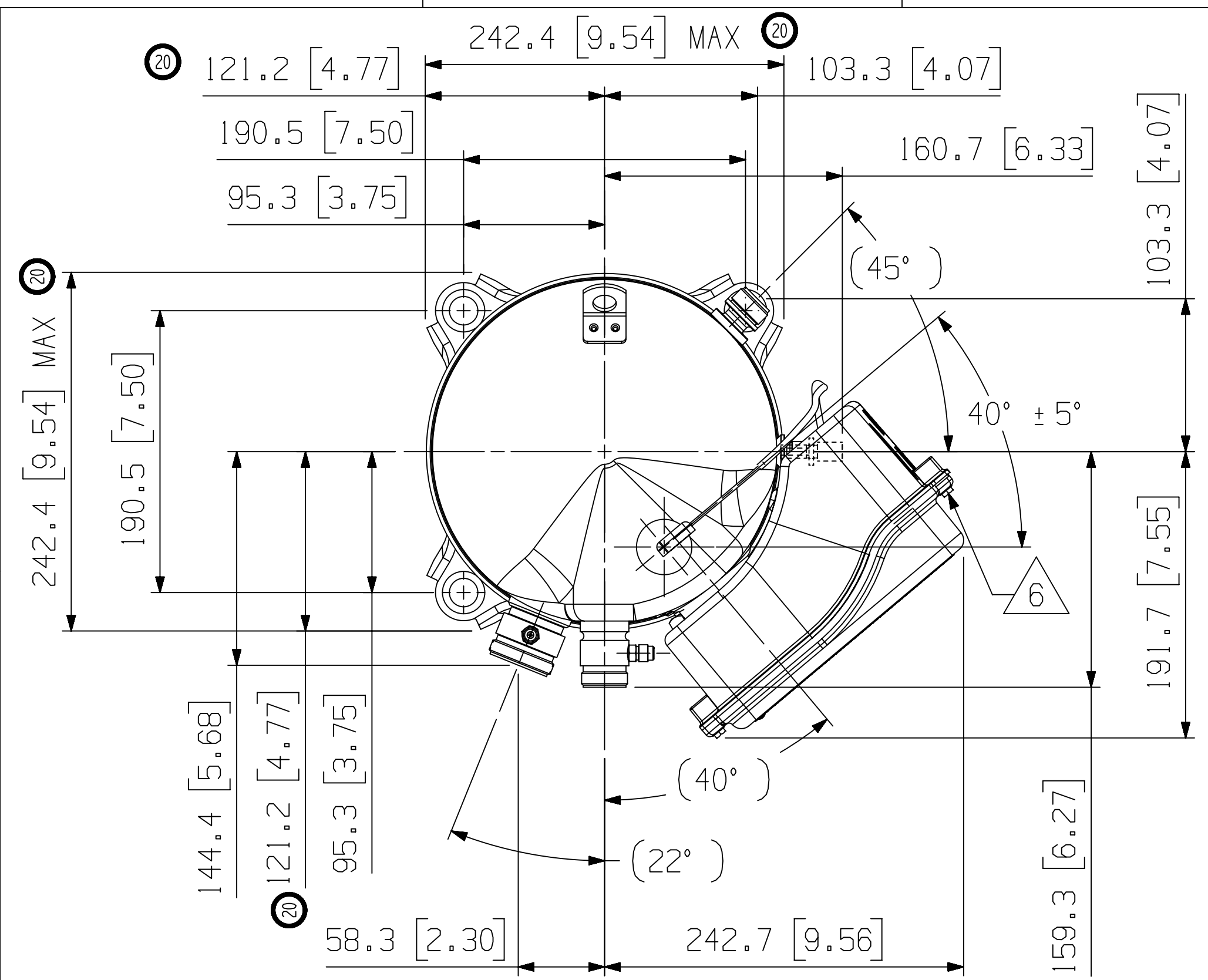
CRITICAL PRODUCT CHARACTERISTICS

UNLESS OTHERWISE SPECIFIED DIMENSIONS ARE MILLIMETER OR (INCH)

TOLERANCES:
1-PLACE \pm
2-PLACE \pm
ANGULAR \pm

ECN309725	20	SEE SHEET 2	01-08-19	SVR	AMN
ECN1024666	19	PICTORIALLY REVISED PRINT	08-29-16	AMN	PR I
ECN100066	18	REDRAWN & OBSOLETE -05	04-07-16	BSS	PR I
ECN001479	0	RELEASED	12-09-09	YKN	DC

ENG NOTICE NO.	REV. NO.	REVISIONS	DATE	BY	CHKD
15		CONFIDENTIALITY NOTICE			
THIS DRAWING AND INFORMATION CONTAINED HEREIN ARE THE EXCLUSIVE PROPERTY OF EMERSON CLIMATE TECHNOLOGIES, INC AND/OR ITS AFFILIATES (COLLECTIVELY "EMERSON") AND SHALL BE RETURNED UPON DEMAND AND SHALL NOT BE REPRODUCED IN WHOLE OR IN PART, DISCLOSED TO ANYONE ELSE OR USED, WITHOUT THE WRITTEN CONSENT OF EMERSON.					
MATERIAL SPECIFICATION		DRAWN BY	SUPERSEDES DWG NO / REV NO	DATE FORMAT: MM-DD-YY	
N/A		BSS	497-0897-00 / 017		
TITLE		DATE	SCALE	DRAWING NUMBER	SHEET 1 OF 4 DWG SIZE
REF DWG-WELD COMP ASSM		04-07-16	1:1	497-0897-00	4



EMERSON
Copeland

INTERPRET PER ASME Y14.5M-1994 AND EMERSON DESIGN STANDARDS DS2002

DO NOT SCALE DRAWING

CRITICAL PRODUCT CHARACTERISTICS

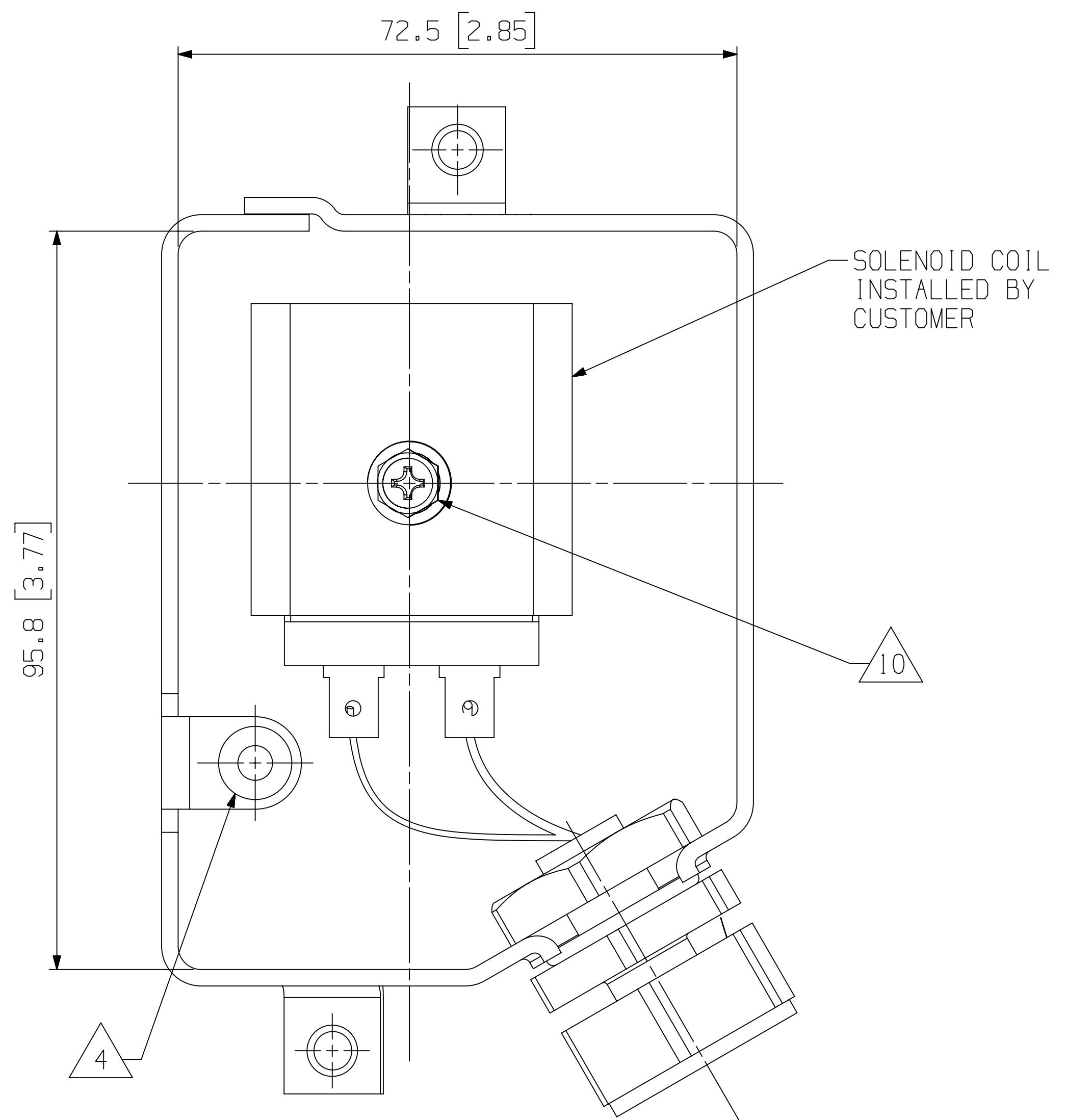
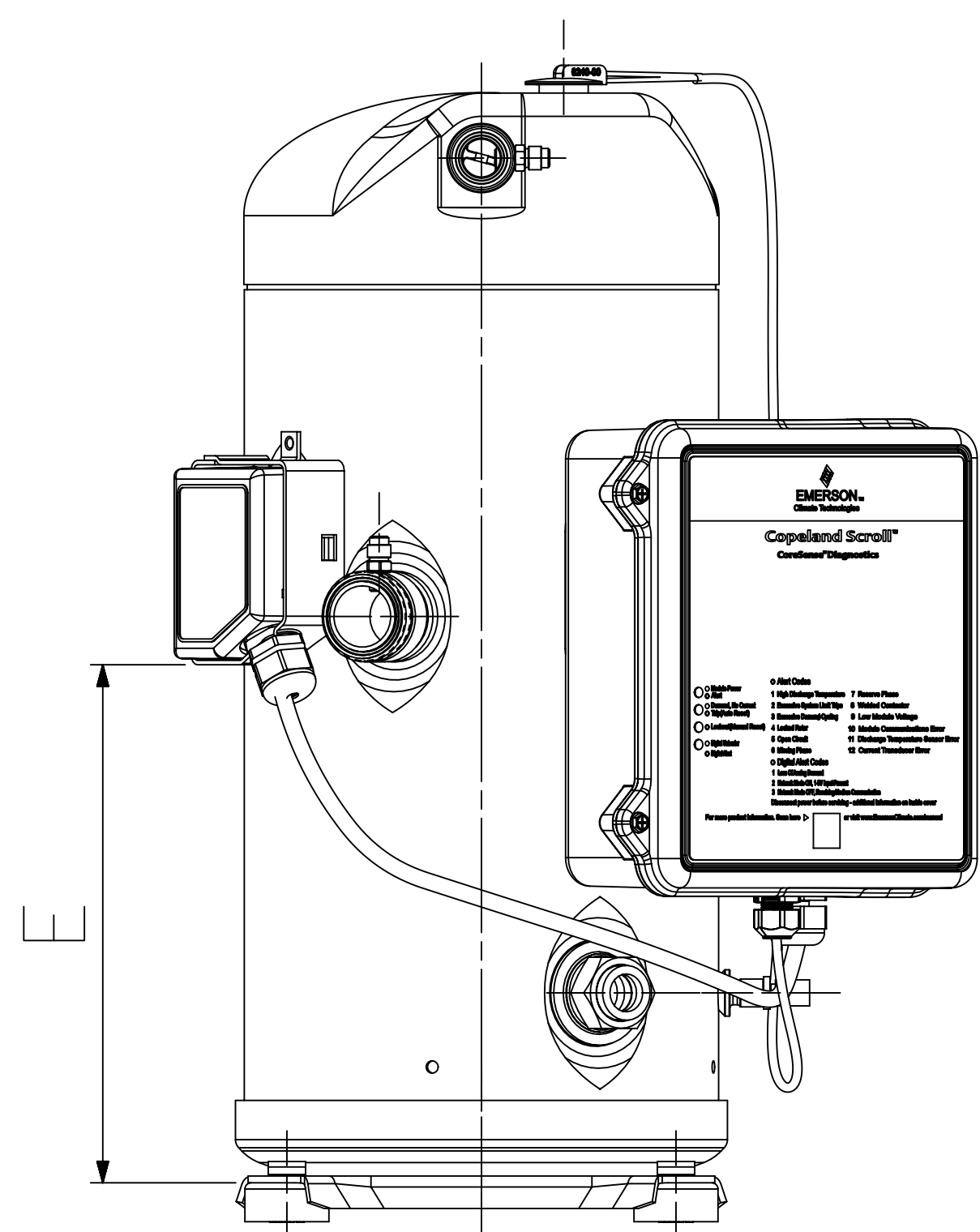
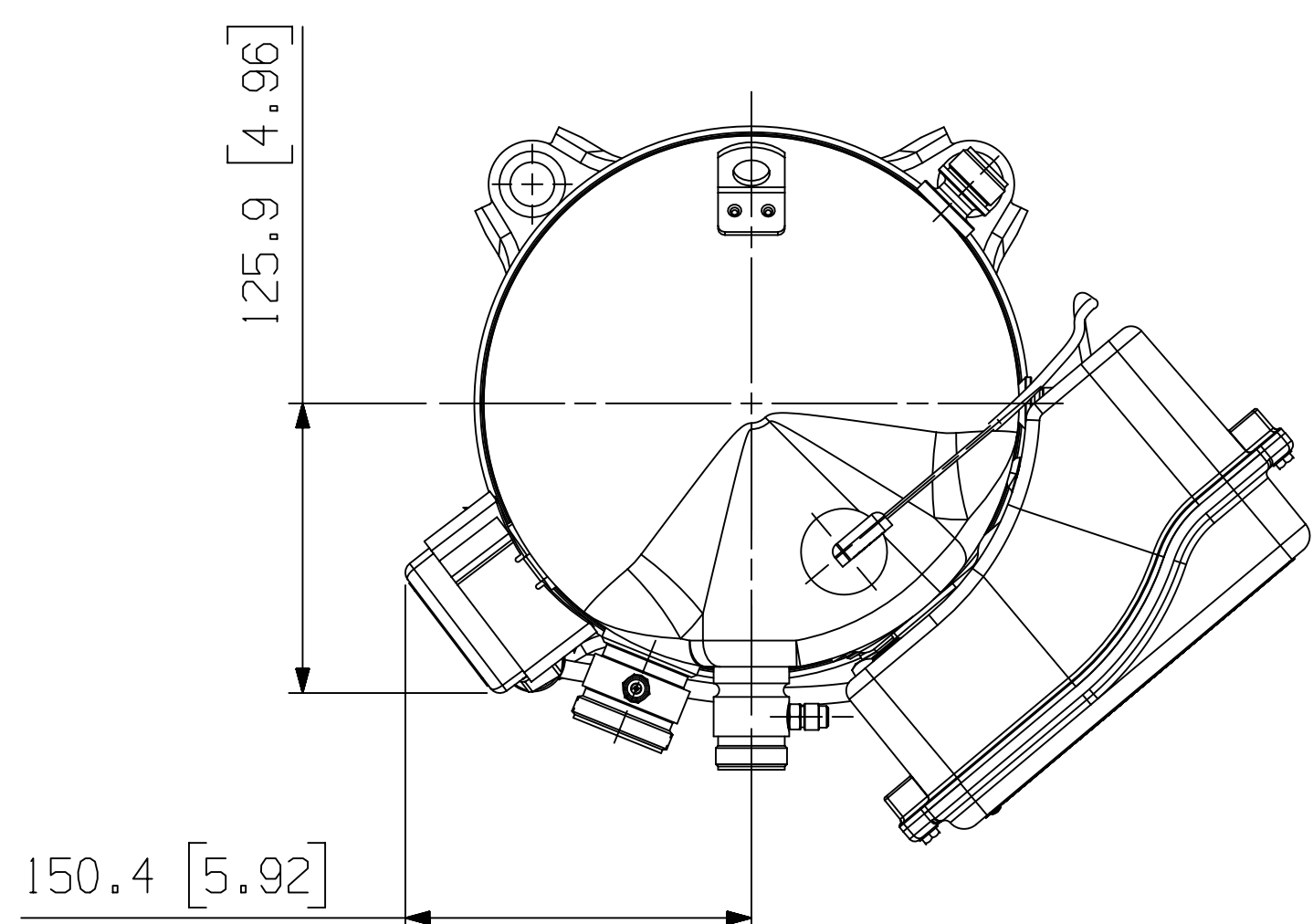
UNLESS OTHERWISE SPECIFIED DIMENSIONS ARE MILLIMETER OR (INCH)

TOLERANCES:
1-PLACE +
2-PLACE +
ANGULAR 1

ECN309725	20	DIMENSIONS UPDATED	01-08-19	SVR	AMN
ECN102466	19	PICTORIALLY REVISED PRINT	08-29-16	AMN	PR1
ECN100066	18	REDRAWN & OBSOLETE -05	04-07-16	BSS	PR1
ECN001479	0	RELEASED	12-09-09	YKN	DC
ENG NOTICE NO.	REV. NO.	REVISIONS	DATE	BY	CHKD
CONFIDENTIALITY NOTICE					
15	THIS DRAWING AND INFORMATION CONTAINED HEREIN ARE THE EXCLUSIVE PROPERTY OF EMERSON CLIMATE TECHNOLOGIES, INC AND/OR ITS AFFILIATES (COLLECTIVELY "EMERSON") AND SHALL BE RETURNED UPON DEMAND AND SHALL NOT BE REPRODUCED IN WHOLE OR IN PART, DISCLOSED TO ANYONE ELSE OR USED, WITHOUT THE WRITTEN CONSENT OF EMERSON.				
MATERIAL SPECIFICATION		DRAWN BY	SUPERSEDES DWG NO / REV NO		
N/A		BSS	497-0897-00 / 017		
		DATE	SCALE	DATE FORMAT:	
		04-07-16	1:1	MM-DD-YY	
TITLE			DRAWING NUMBER	SHEET 2 OF 4 DWG	
REF DWG-WELD COMP ASSM			497-0897-00	4	
			SIZE		

PART NUMBER

497-0897-03



SOLENOID VALVE T-BOX
SCALE 2:1

ECN309725	20	SEE SHEET 2	01-08-19	SVR	AMN
ECN102466	19	PICTORIALLY REVISED PRINT	08-29-16	AMN	PR I
ECN100066	18	SEE SHEET 1, 2 & 4	04-07-16	BSS	PR I
ECN001479	0	RELEASED	12-09-09	YKN	DC
ENG NOTICE NO.	REV. NO.	REVISIONS	DATE	BY	CHKD

15 CONFIDENTIALITY NOTICE
THIS DRAWING AND INFORMATION CONTAINED HEREIN ARE THE EXCLUSIVE PROPERTY OF EMERSON CLIMATE TECHNOLOGIES, INC AND/OR ITS AFFILIATES (COLLECTIVELY "EMERSON") AND SHALL BE RETURNED UPON DEMAND AND SHALL NOT BE REPRODUCED IN WHOLE OR IN PART, DISCLOSED TO ANYONE ELSE OR USED, WITHOUT THE WRITTEN CONSENT OF EMERSON.

MATERIAL SPECIFICATION	DRAWN BY	SUPERSEDES DWG NO / REV NO
N/A	BSS	497-0897-00 / 017
TITLE	DATE	SCALE
REF DWG-WELD COMP ASSM	04-07-16	1:1
DRAWING NUMBER	DATE	DATE FORMAT
497-0897-00	MM-DD-YY	MM-DD-YY
SHEET 3 OF 4 DWG	SIZE	
	4	



INTERPRET PER ASME
Y14.5M-1994 AND
EMERSON DESIGN
STANDARDS DS2002

DO NOT SCALE DRAWING

CRITICAL PRODUCT CHARACTERISTICS

UNLESS OTHERWISE SPECIFIED
DIMENSIONS ARE MILLIMETER OR (INCH)

TOLERANCES:
1-PLACE : ± 0.10
2-PLACE : ± 0.05
ANGULAR : ± 1

© COPYRIGHT EMERSON - CONFIDENTIAL

PART NUMBER

497-0897-04

497-0897-05

18

T-BOX ON ZFD MODELS ONLY

125.9 [4.96]

150.4 [5.92]

72.5 [2.85]

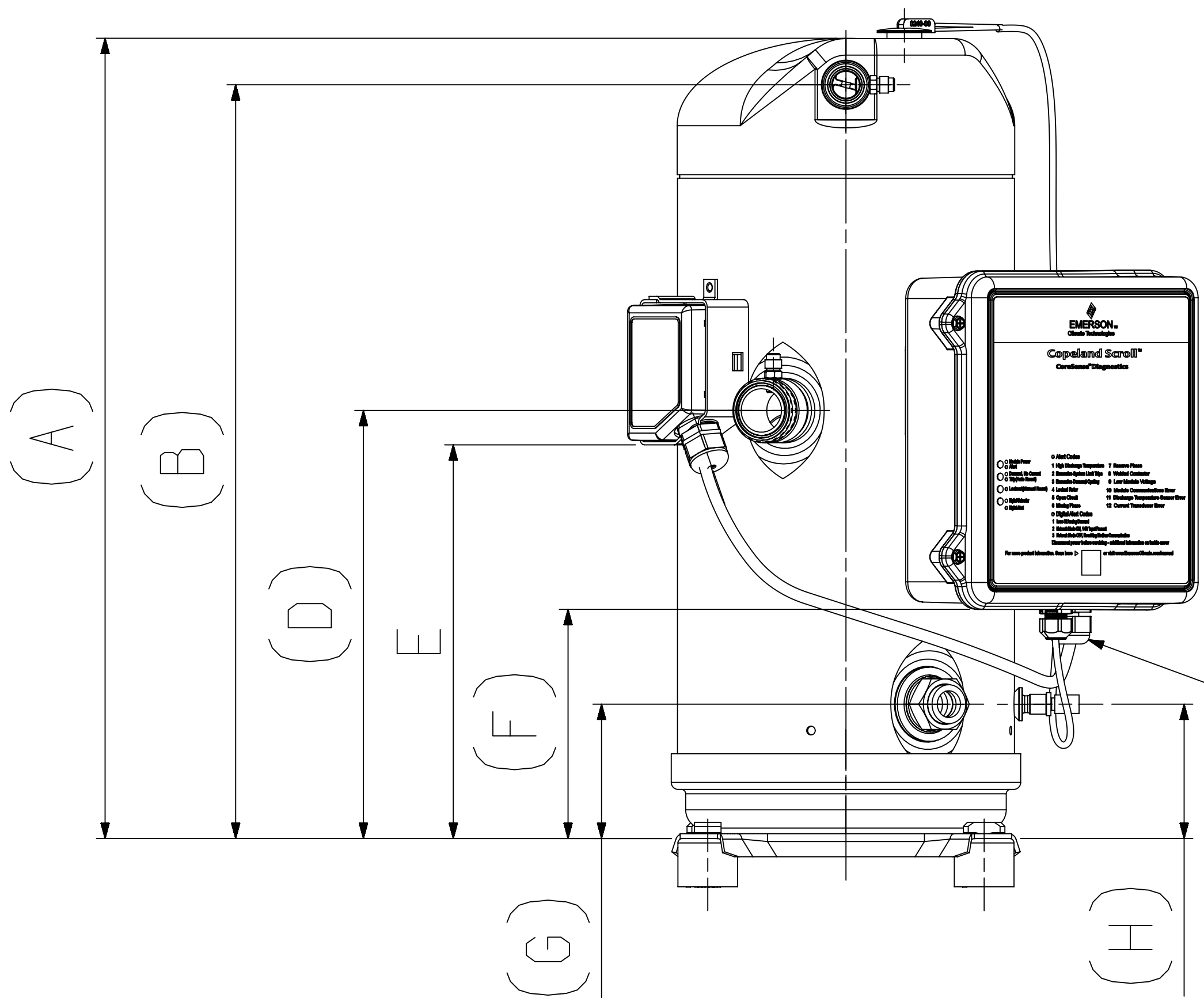
95.8 [3.77]

SOLENOID COIL
INSTALLED BY
CUSTOMER

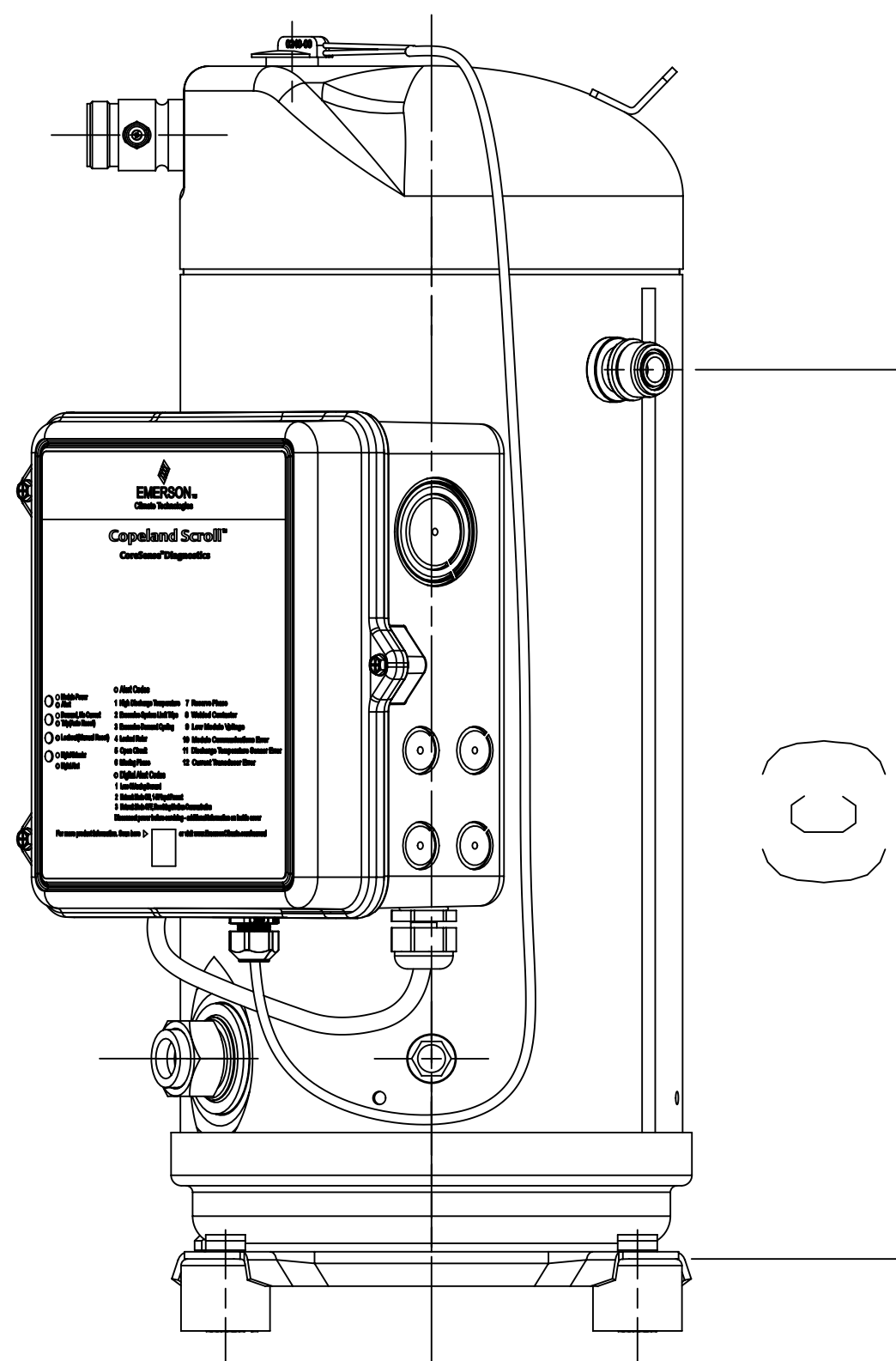
10

4

SOLENOID VALVE T-BOX
SCALE 2:1



DIGITAL TRAY CABLE
ON ZFD MODELS ONLY



EMERSON
Copeland

INTERPRET PER ASME
Y14.5M-1994 AND
EMERSON DESIGN
STANDARDS DS2002

DO NOT SCALE DRAWING

CRITICAL PRODUCT CHARACTERISTICS

UNLESS OTHERWISE SPECIFIED
DIMENSIONS ARE MILLIMETER OR (INCH)

TOLERANCES:
1-PLACE +
2-PLACE ±
ANGULAR ∠

1

ECN309725	20	SEE SHEET 2	01-08-19	SVR	AMN
ECN102466	19	PICTORIALLY REVISED PRINT	08-29-16	AMN	PR1
ECN100066	18	REDRAWN & OBSOLETE -05	04-07-16	BSS	PR1
ECN001479	0	RELEASED	12-09-09	YKN	DC
ENG NOTICE NO.	REV. NO.	REVISIONS	DATE	BY	CHKD

CONFIDENTIALITY NOTICE					
15	THIS DRAWING AND INFORMATION CONTAINED HEREIN ARE THE EXCLUSIVE PROPERTY OF EMERSON CLIMATE TECHNOLOGIES, INC AND/OR ITS AFFILIATES (COLLECTIVELY "EMERSON") AND SHALL BE RETURNED UPON DEMAND AND SHALL NOT BE REPRODUCED IN WHOLE OR IN PART, DISCLOSED TO ANYONE ELSE OR USED, WITHOUT THE WRITTEN CONSENT OF EMERSON.				
MATERIAL SPECIFICATION	DRAWN BY	SUPERSEDES DWG NO / REV NO	DATE FORMAT: MM-DD-YY		
N/A	BSS	497-0897-00 / 017	DATE	SCALE	DATE
	04-07-16		1:1		
TITLE	DRAWING NUMBER	SHEET 4 OF 4 DWG		4	
REF DWG-WELD COMP ASSM	497-0897-00			SIZE	

UNCONTROLLED - DO NOT MODIFY

© COPYRIGHT EMERSON - CONFIDENTIAL