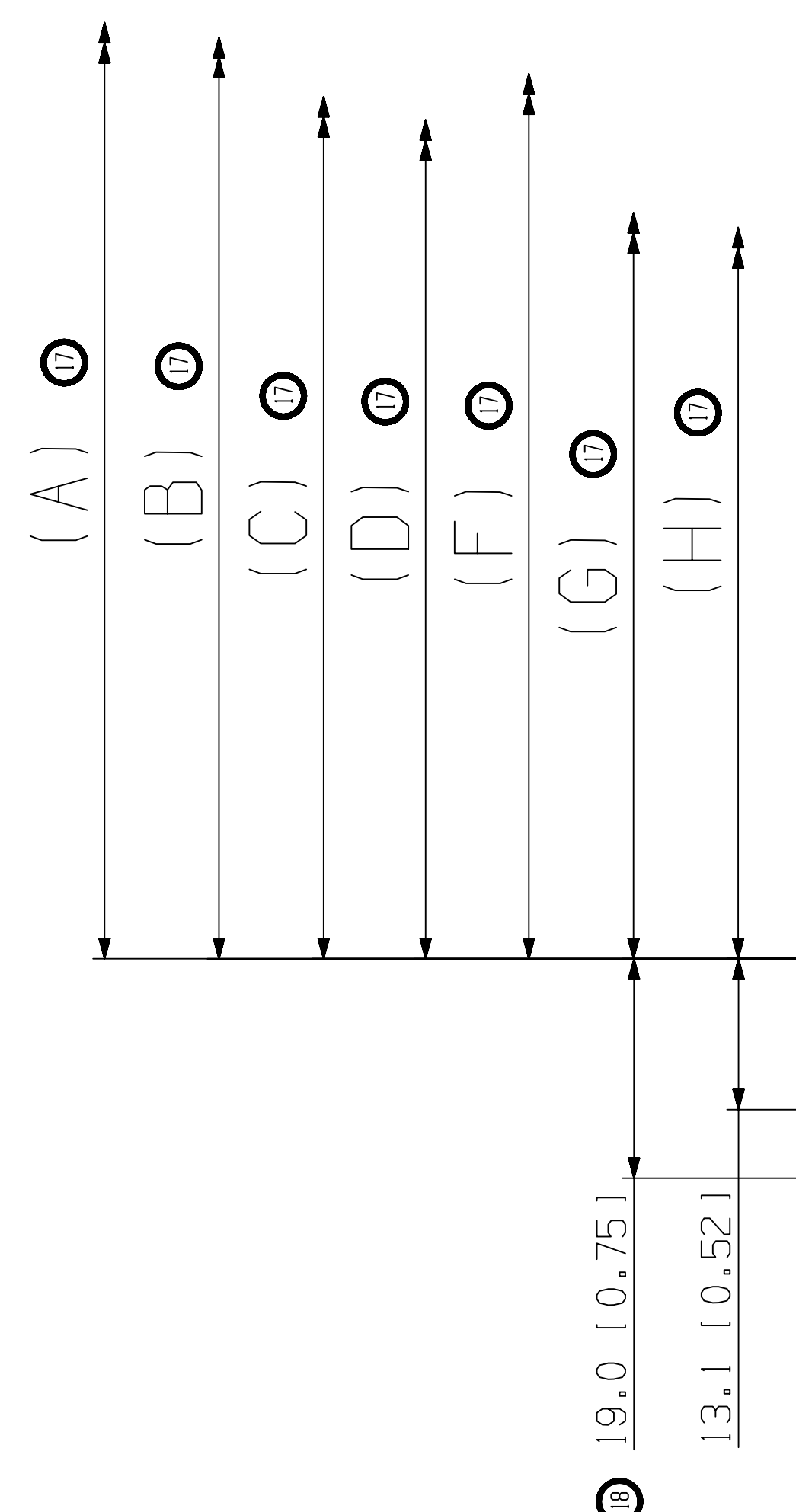
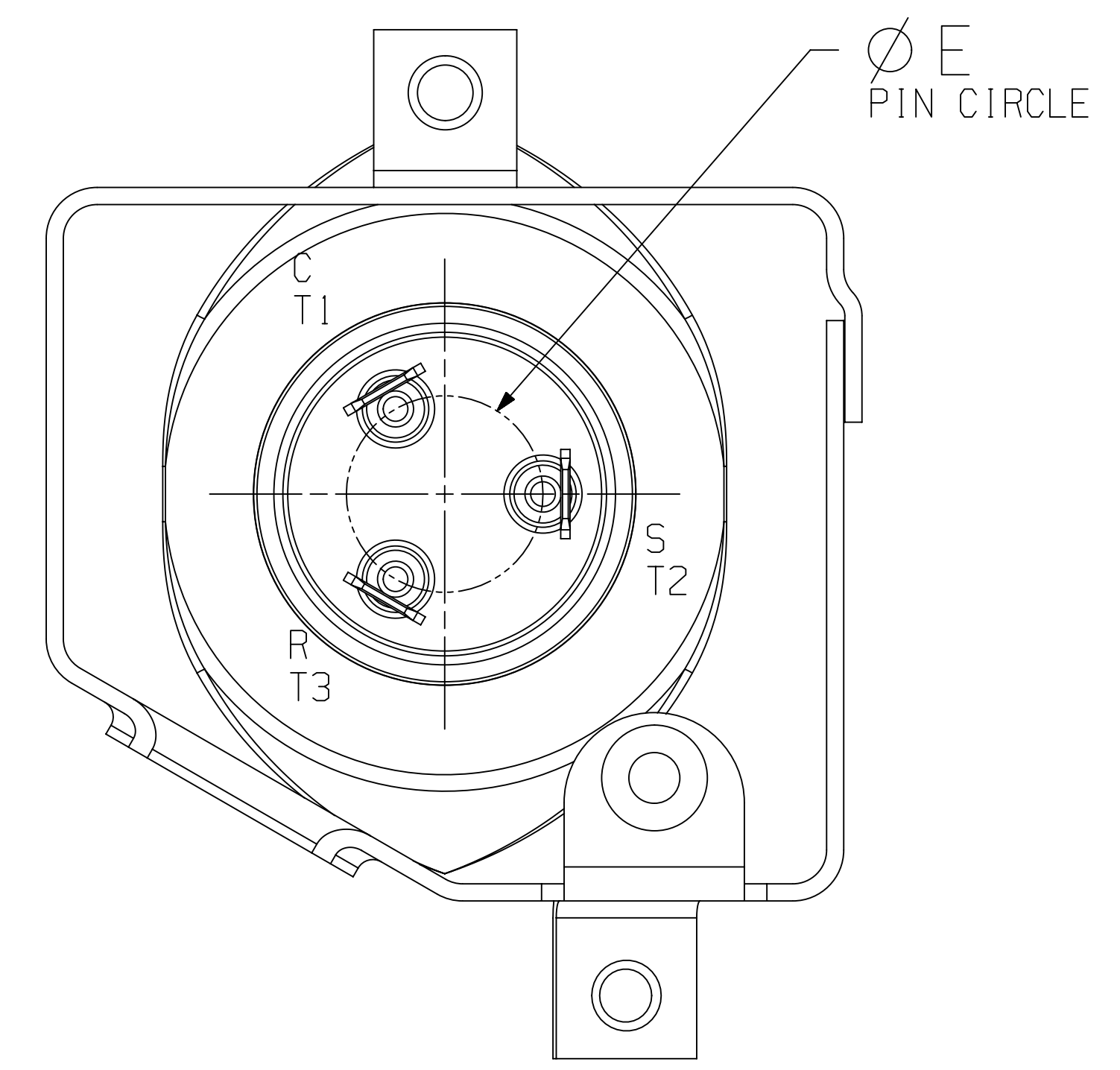
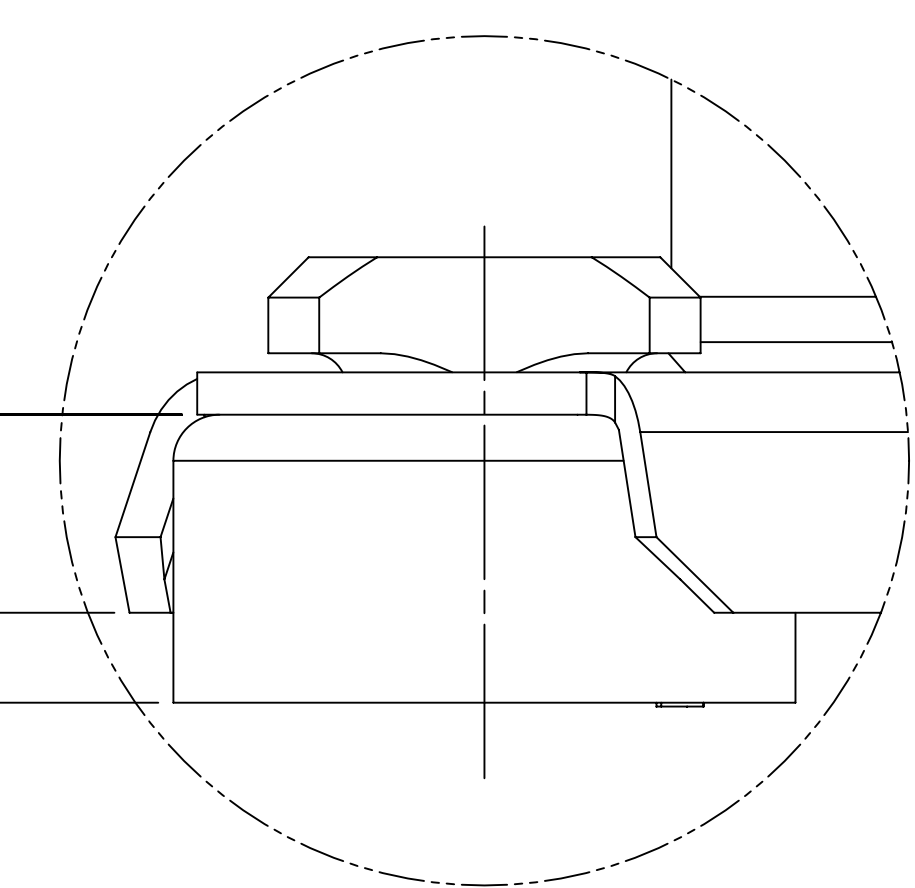
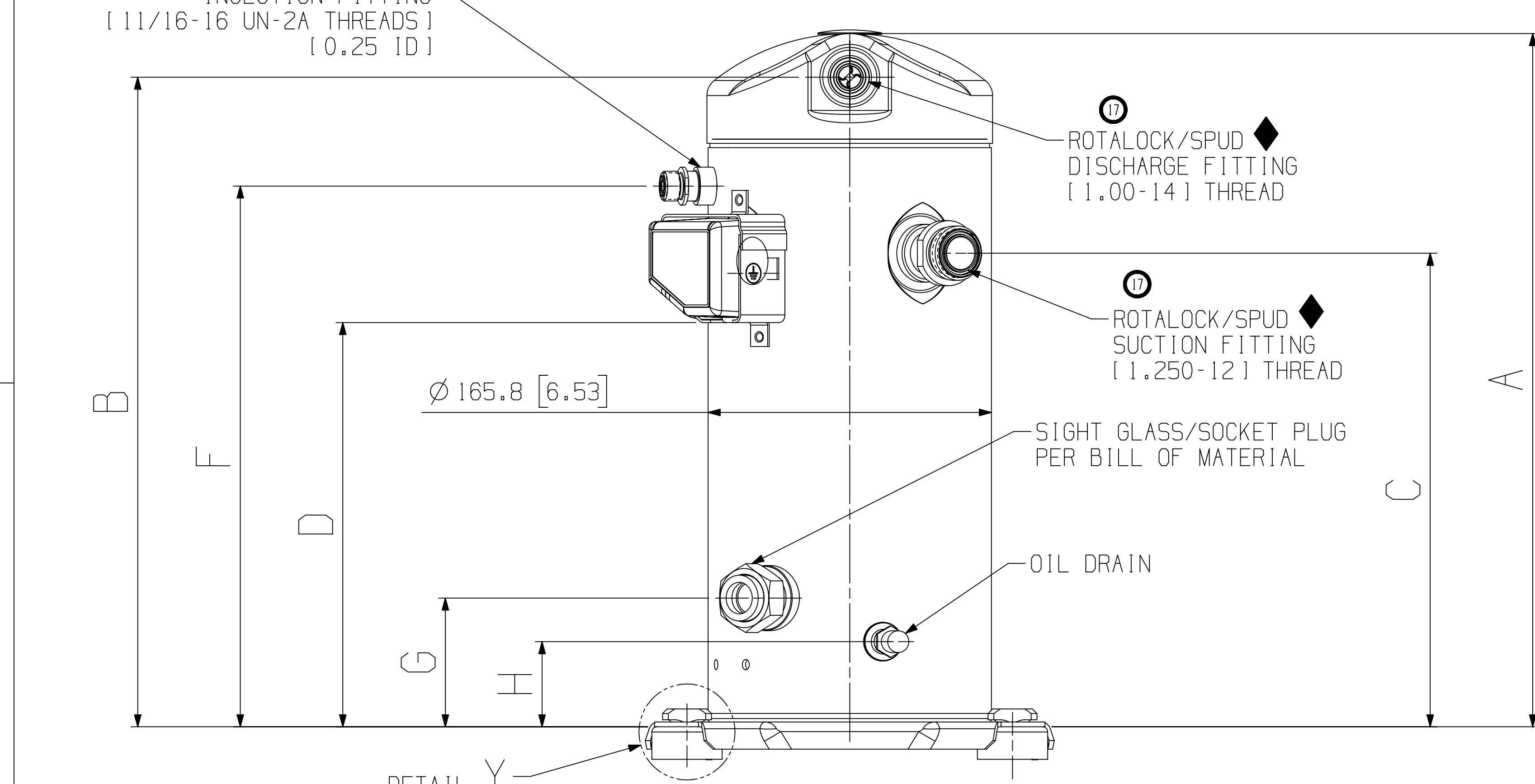


MOTOR TYPE	Ø E PIN CIRCLE
PFJ PFV TF5	13.46 [0.530]
TFD TFE	17.45 [0.687]



VIEW W-W
 TERMINAL BOX LAYOUT OPTIONS
 TERMINAL BOX COVER NOT SHOWN
 SCALE 2:1



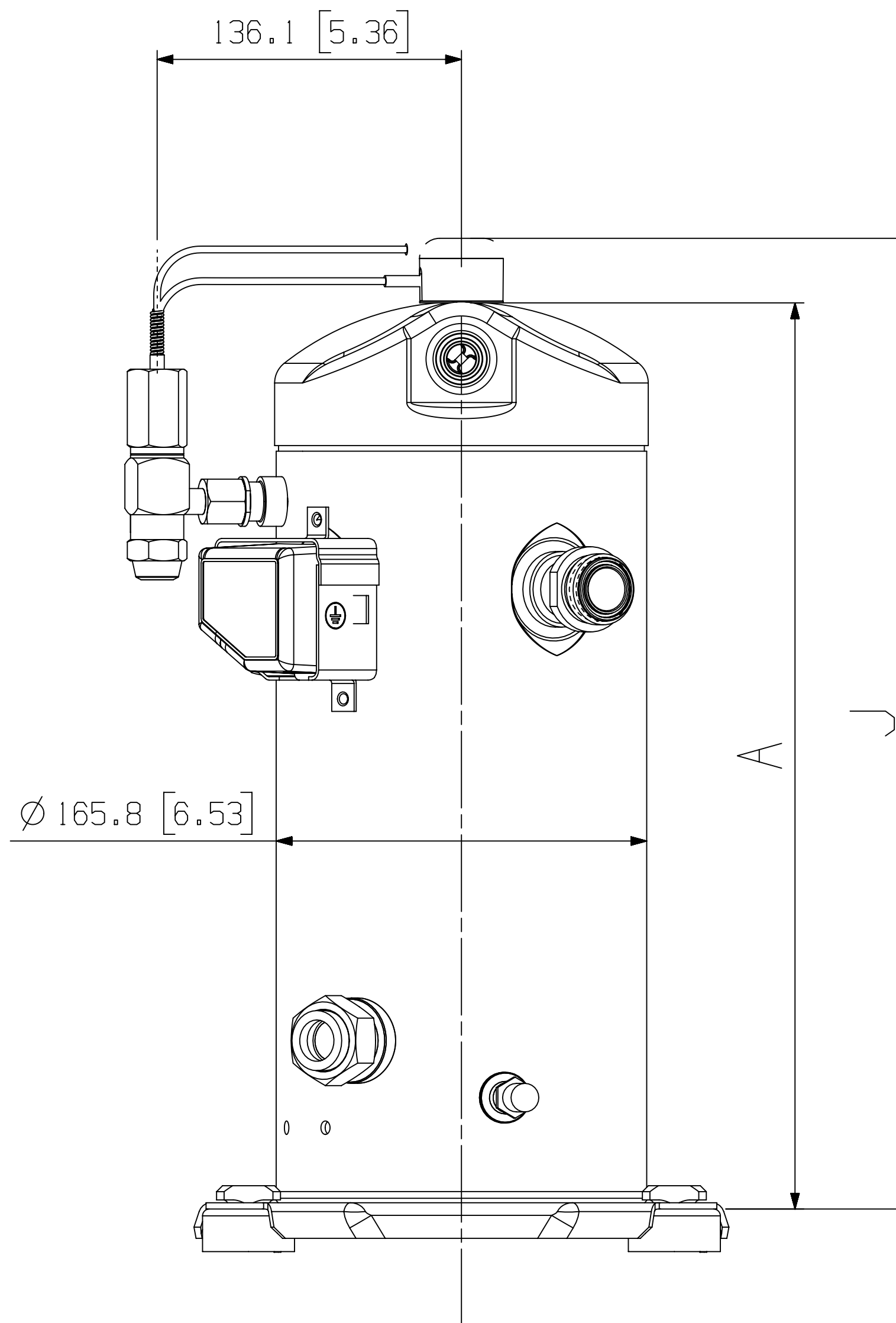
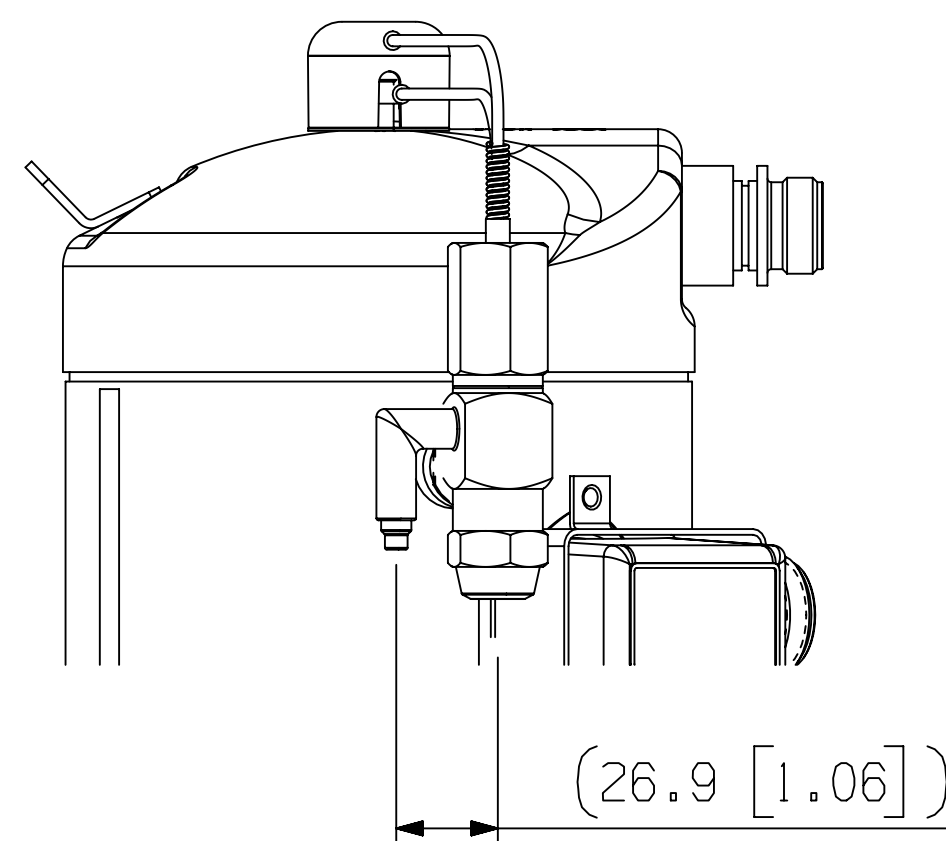
ENG NOTICE NO.	REV.NO.	REVISIONS	DATE	BY	CHKD	APPR
ECN300410	18	CHANGED DIMENSIONS	05-03-17	OSP	PR1	BE
ECN103103	17	REDRAWN WITH CHANGES	02-22-16	SM	JSK	RD
32-1198-023	0	RELEASED	01-11-99	AJA	DAN	

CONFIDENTIALITY NOTICE			
10 THIS DRAWING AND INFORMATION CONTAINED HEREIN ARE THE EXCLUSIVE PROPERTY OF EMERSON CLIMATE TECHNOLOGIES, INC. AND SHALL BE RETURNED UPON DEMAND AND SHALL NOT BE REPRODUCED IN WHOLE OR IN PART DISCLOSED TO ANYONE ELSE OR USED, WITHOUT THE WRITTEN CONSENT OF EMERSON CLIMATE TECHNOLOGIES, INC.			
MATERIAL SPECIFICATION	DRAWN BY	SUPERSEDES DWG. NO. / REV. NO.	
N/A	SM	497-3545-00/016	
	DATE	SCALE	DATE FORMAT:
	02-22-16	1:2	MM-DD-YY
TITLE	DRAWING NUMBER	SHEET 2 OF 3	
REF DWG-WELD COMP ASSM	497-3545-00	4	
		SIZE	



INTERPRET PER ASME Y14.5M-1994 AND EMERSON CLIMATE TECHNOLOGIES, INC. DESIGN STANDARDS DS2002
 DO NOT SCALE DRAWING
 THIRD ANGLE PROJECTION
 CRITICAL PRODUCT CHARACTERISTICS
 UNLESS OTHERWISE SPECIFIED DIMENSIONS ARE MILLIMETER OR (1 INCH)
 TOLERANCES:
 1-PLACE ±
 2-PLACE ±
 ANGULAR ± N/A

MODEL NUMBER	A	J
ZF11K4E ZF11K4L	406.3 [15.99]	435.1 [17.13]
ZF08K4E ZF09K4E ZF08K4L ZF09K4L	392.5 [15.45]	421.4 [16.59]
ZF06K4E ZF06K4L	369.9 [14.56]	398.7 [15.69]



ENG NOTICE NO.	REV.NO.	REVISIONS	DATE	BY	CHKD	APPR
ECN300410	18	ADDED MODEL NUMBERS	05-03-17	OSP	PR1	BE
ECN103103	17	REDRAWN WITH CHANGES	02-22-16	SM	JSK	RD
32-1198-023	0	RELEASED	01-11-99	AJA	DAN	

CONFIDENTIALITY NOTICE			
10	THIS DRAWING AND INFORMATION CONTAINED HEREIN ARE THE EXCLUSIVE PROPERTY OF EMERSON CLIMATE TECHNOLOGIES, INC. AND SHALL BE RETURNED UPON DEMAND AND SHALL NOT BE REPRODUCED IN WHOLE OR IN PART DISCLOSED TO ANYONE ELSE OR USED, WITHOUT THE WRITTEN CONSENT OF EMERSON CLIMATE TECHNOLOGIES, INC.		
MATERIAL SPECIFICATION	DRAWN BY	SUPERSEDES DWG. NO. / REV. NO.	
N/A	SM	497-3545-00/016	
	DATE	SCALE	DATE FORMAT:
	02-22-16	1:2	MM-DD-YY
TITLE	DRAWING NUMBER	SHEET 3 OF 3	
REF DWG-WELD COMP ASSM	497-3545-00	4	

EMERSON
Climate Technologies

Copeland
brand products

INTERPRET PER ASME
Y14.5M-1994 AND
EMERSON CLIMATE
TECHNOLOGIES, INC.
DESIGN STANDARDS DS2002

DO NOT SCALE DRAWING

CRITICAL PRODUCT CHARACTERISTICS

THIRD ANGLE PROJECTION

UNLESS OTHERWISE SPECIFIED
DIMENSIONS ARE MILLIMETER OR (1 INCH)

TOLERANCES:
1-PLACE ±
2-PLACE ±
ANGULAR ± N/A

© COPYRIGHT EMERSON CLIMATE TECHNOLOGIES, INC. - CONFIDENTIAL