

PART NUMBER	MODEL NUMBER	A	B	C	D	E	F	G	4
497-0476-00	ZBD30KC/KCE-***-551/265/965 ZBD30KCL-***-265 ZBD45KC/KCE-***-551/265/965 ZBD45KCL-***-265 ZBD28KCB-TFD-265/551/965 ZBD38KCE-***-265/551/965 ZBD38KCL-***-265	481.0 [18.94]	463.0 [18.23]	412.1 [16.22]	296.7 [11.68]	233.2 [9.18]	79.6 [3.13]	47.6 [1.87]	THERMISTER
497-0476-01	ZBD30KC-***-552 ZBD45KCE-***-552	481.0 [18.94]	463.0 [18.23]	412.1 [16.22]	296.7 [11.68]	233.2 [9.18]	79.6 [3.13]	47.6 [1.87]	CAP-THERMOSTAT

MOTOR TYPE	Ø K PIN CIRCLE
TF5 PFV	13.46 [0.530]
TFD TF7 TFE	17.45 [0.687]

SPECIFICATIONS	
ES NO.	DESCRIPTION
ES92-155	CONVERSION-METRIC

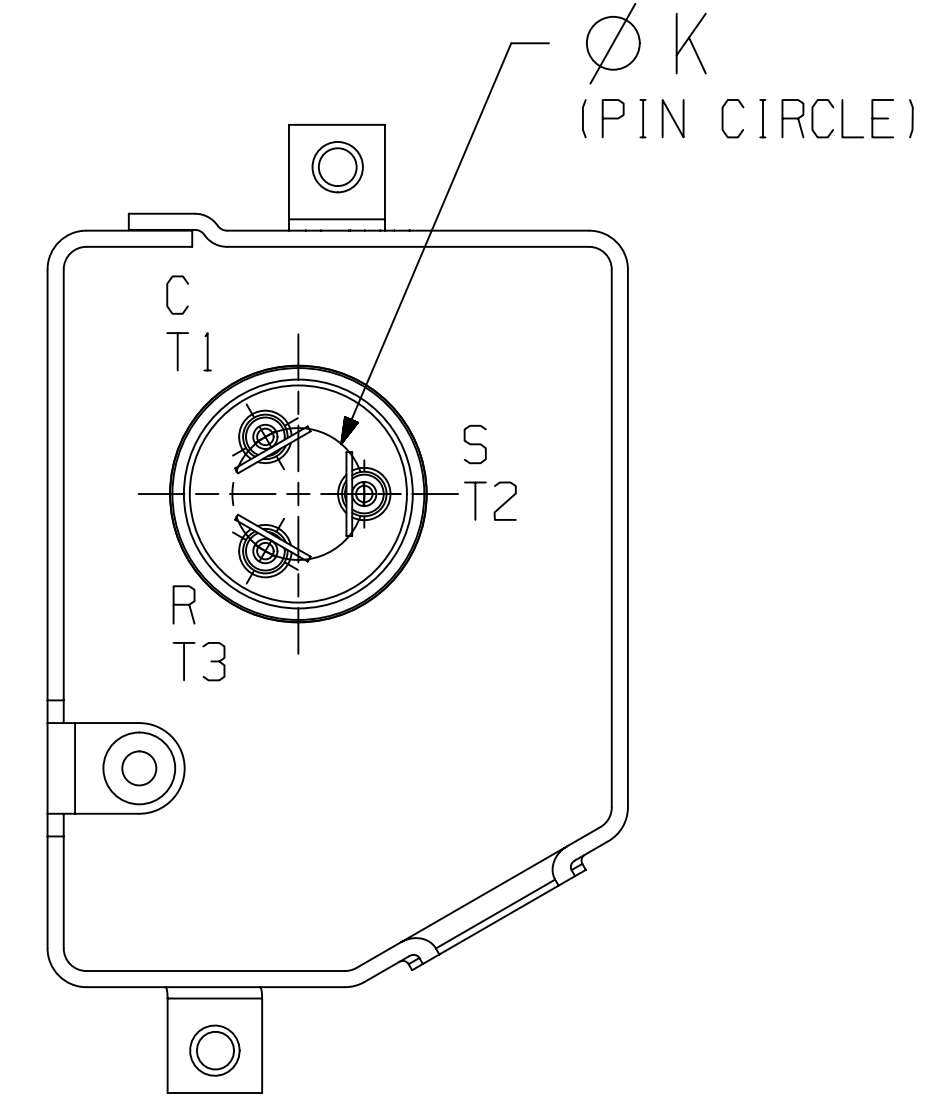
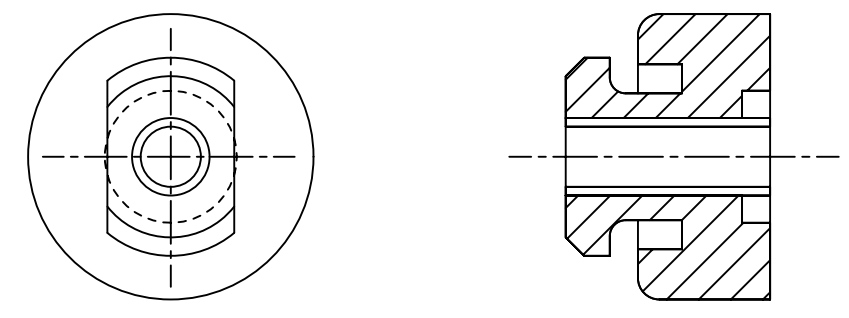
NOTES:  
 1 ALL TOLERANCES ± 1.50 [0.060] UNLESS OTHERWISE SPECIFIED.

DUE TO ACCUMULATED ASSEMBLY TOLERANCES THE LISTED COMPONENTS MAY VARY FROM THE MOUNTING HOLES AS SHOWN BELOW:

◆ SUCTION FITTING : ± 3.0 [0.12]  
 ◆ DISCHARGE FITTING: ± 3.0 [0.12]

- 2. TUBE ENDS MUST BE PLUGGED.
- 3. MOUNTING KIT:

GROMMET DUROMETER	4 FOOT KIT
35-45	527-0116-00

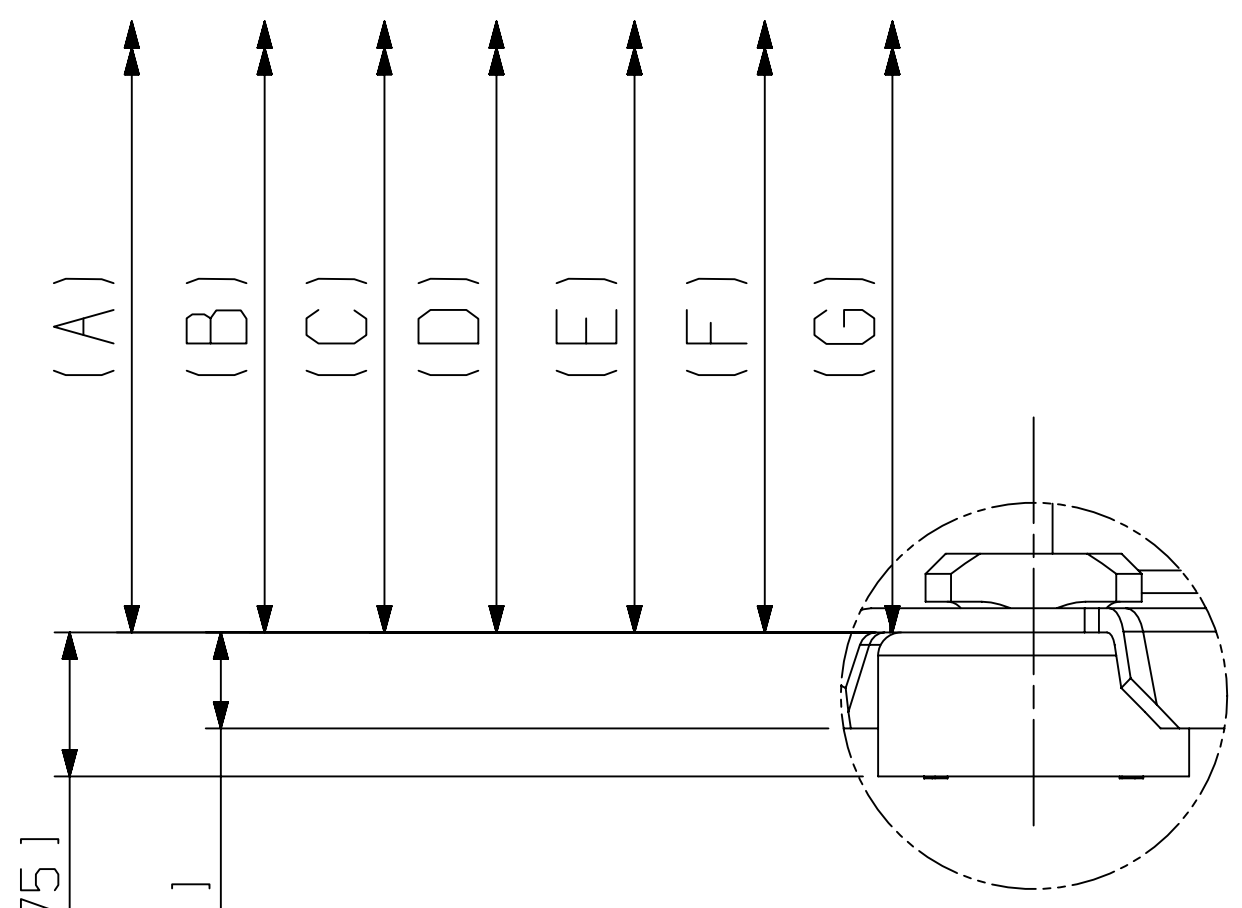
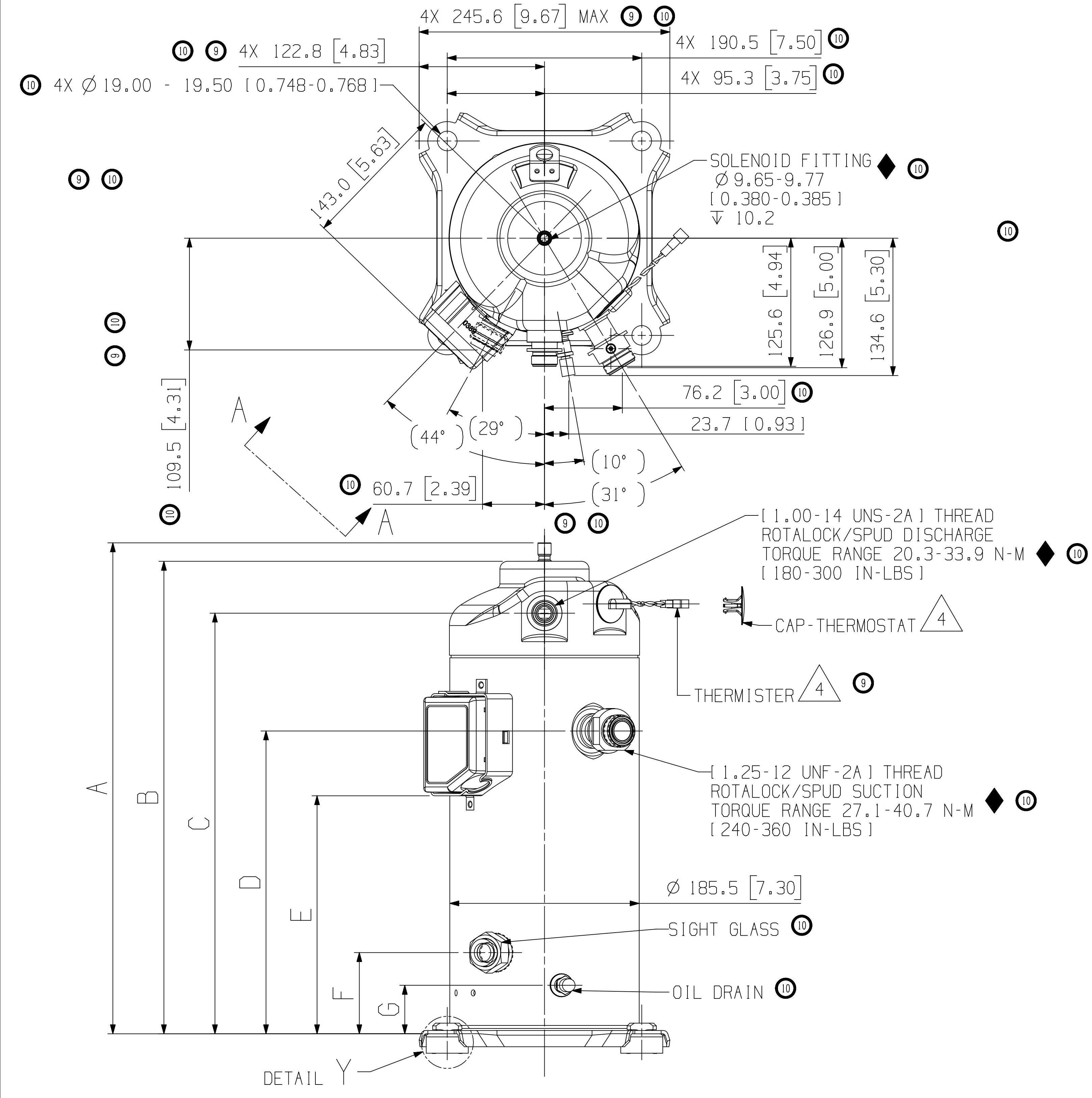


TERMINAL BOX LAYOUT OPTIONS  
 TERMINAL BOX COVER NOT SHOWN

VIEW A-A  
 SCALE 1:1

4 THERMISTER AND CAP-THERMOSTAT OPTION.

USE COPPER CONDUCTORS ONLY. USE MINIMUM 75° C WIRE FOR AMPACITY DETERMINATION. INTERNAL MOTOR PROTECTION - ALLOW TIME FOR RESET. OVERCURRENT PROTECTION DEVICE RATING AND TYPE MUST BE IN ACCORDANCE WITH REGULATORY AGENCY END PRODUCT APPROVALS-SEE SYSTEM NAMEPLATE. CRANKCASE HEATER, WHEN APPLIED, MUST BE CONNECTED ONLY TO ITS RATED VOLTAGE. TO CORRECT IMPROPER ROTATION OF THREE PHASE MODELS, SWITCH ANY TWO SUPPLY LINES. REFER TO THE APPLICABLE SYSTEM WIRING DIAGRAM.



INTERPRET PER ASME Y14.5M-1994 AND EMERSON CLIMATE TECHNOLOGIES, INC. DESIGN STANDARDS DS2002  
 DO NOT SCALE DRAWING  
 THIRD ANGLE PROJECTION  
 CRITICAL PRODUCT CHARACTERISTICS  
 UNLESS OTHERWISE SPECIFIED DIMENSIONS ARE MILLIMETER OR (1 INCH)  
 TOLERANCES:  
 1-PLACE ±  
 2-PLACE ±  
 ANGULAR ±

ECN	REV.	DESCRIPTION	DATE	BY	CHKD	APPR
ECN300410	10	ADDED MODEL NUMBERS FOR -00	05-22-17	OSP	PR1	BE
ECN008762	9	REDRAWN WITH CHANGES	09-30-14	PR1	DC	ZJ
32-0205-016	0	RELEASED	04-19-06	YKN	DC	DC

ENG NOTICE NO.	REV.NO.	REVISIONS	DATE	BY	CHKD	APPR

CONFIDENTIALITY NOTICE  
 THIS DRAWING AND INFORMATION CONTAINED HEREIN ARE THE EXCLUSIVE PROPERTY OF EMERSON CLIMATE TECHNOLOGIES, INC. AND SHALL BE RETURNED UPON DEMAND AND SHALL NOT BE REPRODUCED IN WHOLE OR IN PART DISCLOSED TO ANYONE ELSE OR USED, WITHOUT THE WRITTEN CONSENT OF EMERSON CLIMATE TECHNOLOGIES, INC.

MATERIAL SPECIFICATION	DRAWN BY	SUPERSEDES DWG. NO. / REV. NO.
N/A	PR1	497-0476-00/008

TITLE	DRAWING NUMBER	SHEET 1 OF 1	DWG SIZE
REF DWG-WELD COMP ASSM	497-0476-00	4	4