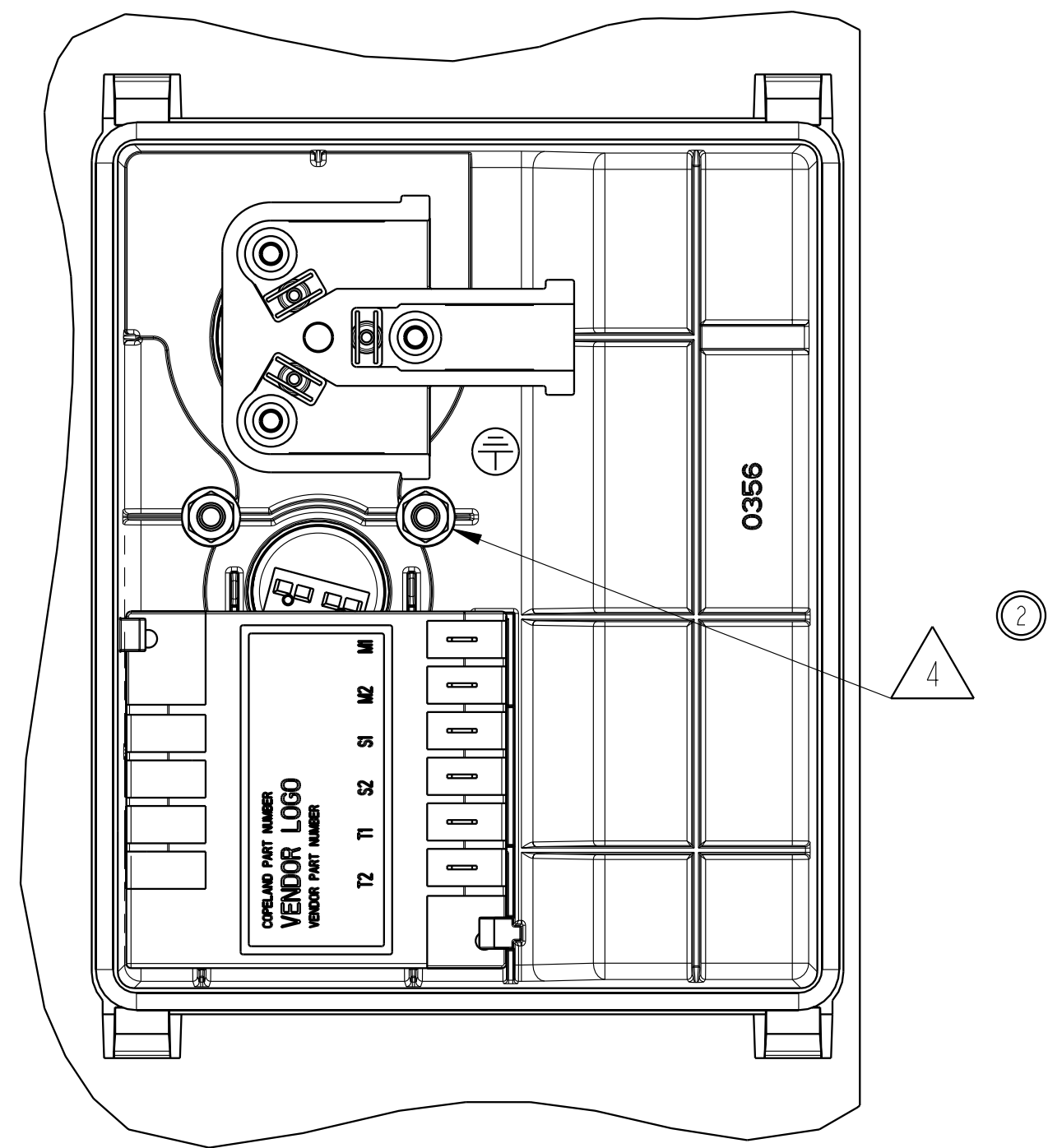
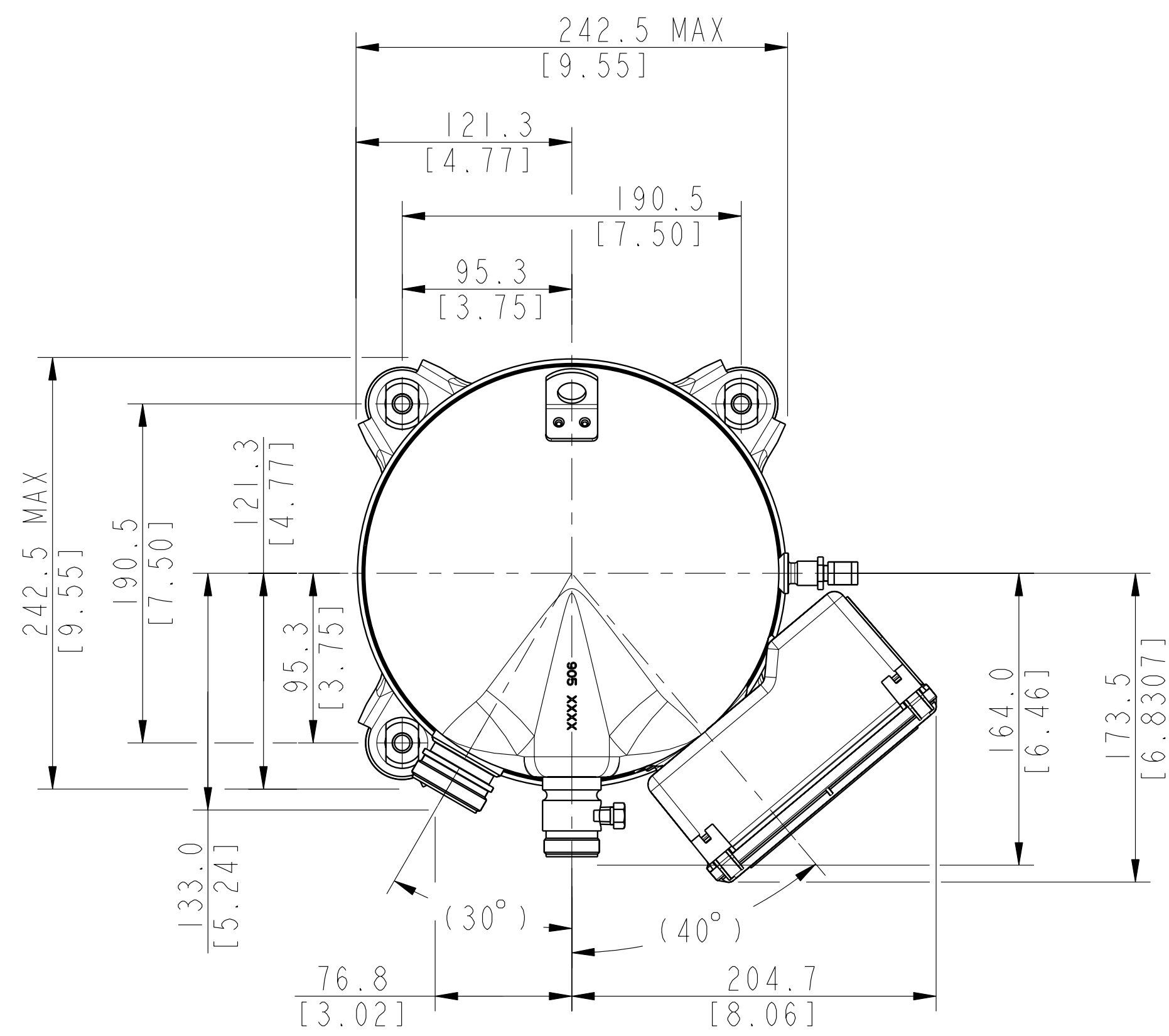
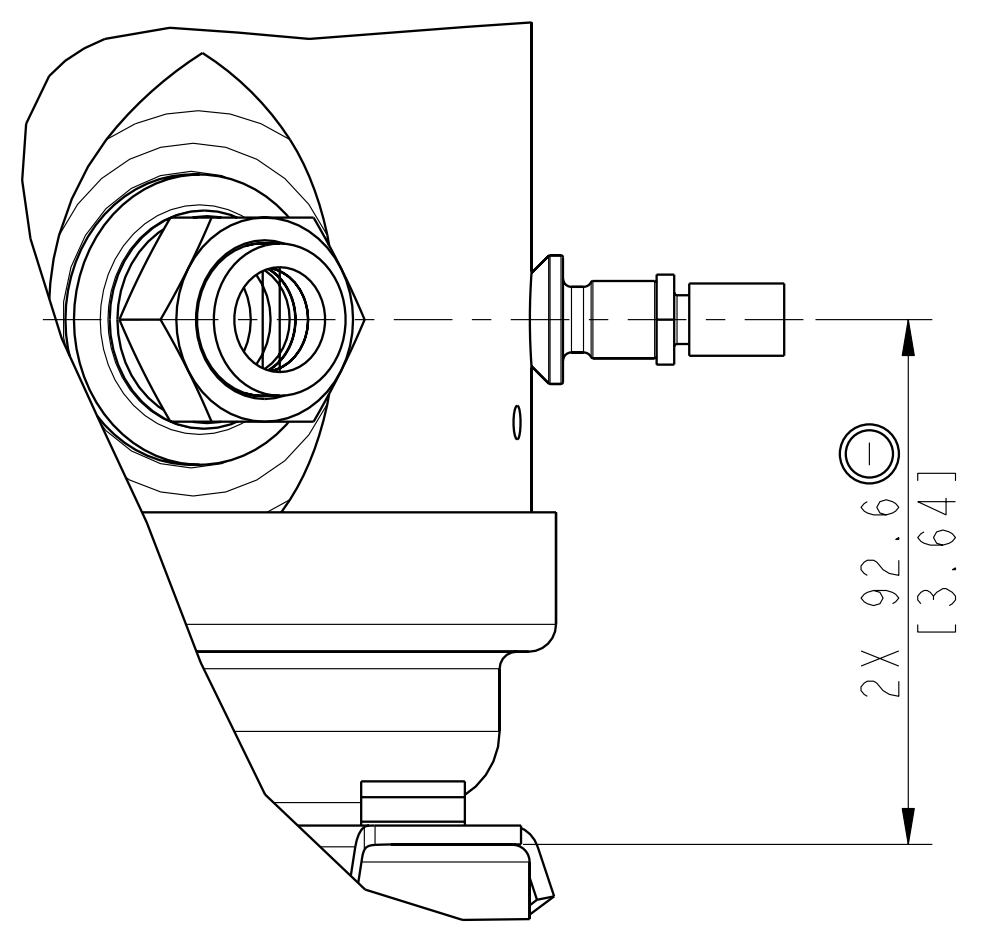
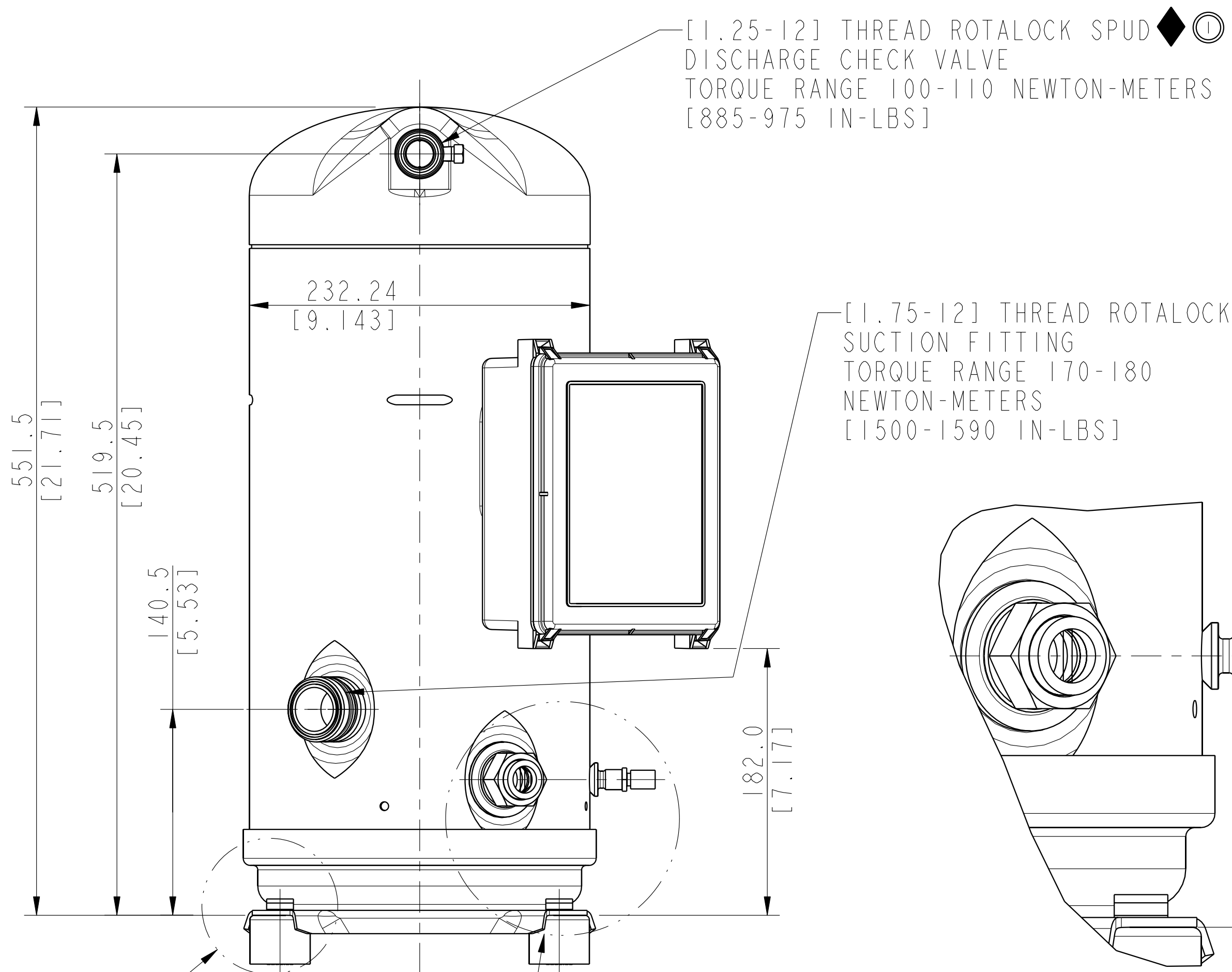


8	7	6	5	4	3	2	1	
MODEL NUMBER							SPECIFICATIONS	
ZB95KC/KCE/KQ/KQE							ES NO.	DESCRIPTION
ZB114KC/KCE/KQ/KQE							ES92-155	CONVERSION-METRIC



TERMINAL BOX LAYOUT STANDARD
SCALE 3:4

- NOTES:
- 1 ALL TOLERANCES ± 1.5 [0.06] UNLESS OTHERWISE SPECIFIED. DUE TO ACCUMULATED ASSEMBLY TOLERANCES THE LISTED COMPONENTS MAY VARY FROM THE MOUNTING HOLES AS TABULATED.
 - 2 SUCTION FITTING ± 3.0 [0.12]
 - 3 DISCHARGE FITTING ± 3.0 [0.12]
 - 2. MOUNTING KIT: 527-0210-00
 - 3. TUBE ENDS MUST BE PLUGGED.
 - 4 GROUNDING SCREW AND WASHER PER BOM



DETAIL FOOT
SCALE 1:1

DETAIL VALVE
SCALE 3:4

SYMBOLS/SÍMBOLOS

1 THERMAL SENSORS/SENSORES TÉRMICOS
2 PROTECTOR MODULE VOLTAGE/VOLTAJE DEL PROTECTOR TÉRMICO
3 TO CONTROL CIRCUIT/AL CIRCUITO DE CONTROL

WHEN CHECKING SOLID STATE MODULE
DO NOT SHORT ACROSS S1 AND S2 SENSOR TERMINALS
MODULE HAS 30 MINUTES TIME DELAY BEFORE RESET IN EVENT OF PROTECTOR TRIP

AL PROBAR EL MÓDULO DE ESTADO SÓLIDO
NO HAGA UN CORTO ENTRE LOS TERMINALES S1 & S2 COORRESPONDIENTES A LOS SENSORES INTERNOS
EL MÓDULO DEMORA 30 MIN. EN RESTABLECERSE EN CASO QUE LA PROTECCIÓN SEA ACTIVADA

USE COPPER CONDUCTORS ONLY. USE MINIMUM 75°C WIRE FOR AMPACITY DETERMINATION. USE THIS EQUIPMENT ON A GROUNDED SYSTEM ONLY. PRIMARY SINGLE PHASE FAILURE PROTECTION IS PROVIDED. PROTECTOR MODULE AND OPTIONAL CRANKCASE HEATER MUST BE CONNECTED ONLY TO THEIR RATED VOLTAGE. OVERCURRENT PROTECTION DEVICE RATING AND TYPE MUST BE IN ACCORDANCE WITH REGULATORY AGENCY END PRODUCT APPROVALS. -SEE SYSTEM NAMEPLATE.

UTILICE ÚNICAMENTE CONDUCTORES DE COBRE. UTILICE CABLE DE 75°C PARA DETERMINAR LA CORRIENTE ADMISIBLE. UTILICE ESTE EQUIPO ÚNICAMENTE EN UN SISTEMA CON CONEXIÓN A TIERRA. INCLUIRE PROTECCIÓN POR FALLAS MONOFÁSICAS PRIMARIAS. EL MÓDULO DE PROTECCIÓN Y EL CALENTADOR DE CARTER OPCIONAL DEBERÁN SER CONECTADOS ÚNICAMENTE A SU RESPECTIVO VOLTAJE NOMINAL. EL TIPO Y CARACTERÍSTICAS NOMINALES DEL DISPOSITIVO DE PROTECCIÓN CONTRA SOBRECARGAS ELÉCTRICAS DEBERÁN ESTAR SUJETOS A LOS NIVELES DE APROBACIÓN Y EXIGENCIAS DE LAS AGENCIAS REGULADORAS. -VER PLACA DE IDENTIFICACIÓN.

ECN004967	3	CORRECTED ORIENTATION MISTAKE	01-03-12	LG	MD	VC
ECN001988	2	ADDED NOTES AND CHANGED SIGHT GLASS	01-20-11	LG	MD	VC
ECN001385	1	CHANGED OIL FITTING HEIGHT	07-03-09	XHT	LLB	KJR
ECN000761	0	RELEASED	03-12-08	AMN	DC	MG

ENG NOTICE NO.	REV. NO.	REVISIONS	DATE	BY	CHKD	APPR
15		THIS DRAWING AND INFORMATION CONTAINED HEREIN ARE THE EXCLUSIVE PROPERTY OF EMERSON CLIMATE TECHNOLOGIES, INC. AND SHALL BE RETURNED UPON DEMAND AND SHALL NOT BE REPRODUCED IN WHOLE OR IN PART, DISCLOSED TO ANYONE ELSE OR USED, WITHOUT THE WRITTEN CONSENT OF EMERSON CLIMATE TECHNOLOGIES, INC.				
MATERIAL SPECIFICATION		DRAWN BY	SUPERSEDES DWG. NO. / REV. NO.			
N/A		AMN	497-0564-04 / 2			
		DATE	SCALE	DATE FORMAT:		
		03-12-08	3:8	MM-DD-YY		
TITLE		DRAWING NUMBER	SHEET 1 OF 1		DWG	
REF DWG-WELD COMP ASM		497-0776-00		4		SIZE

SEE DETAIL FOOT

SEE DETAIL VALVE



INTERPRET PER ASME Y14.5M-1994 AND EMERSON CLIMATE TECHNOLOGIES, INC. DESIGN STANDARDS DS2002 DO NOT SCALE DRAWING

THIRD ANGLE PROJECTION

CRITICAL PRODUCT CHARACTERISTIC

UNLESS OTHERWISE SPECIFIED DIMENSIONS ARE MILLIMETER OR (INCH)

TOLERANCES:
1-PLACE \pm N/A
2-PLACE \pm N/A
ANGULAR \pm N/A