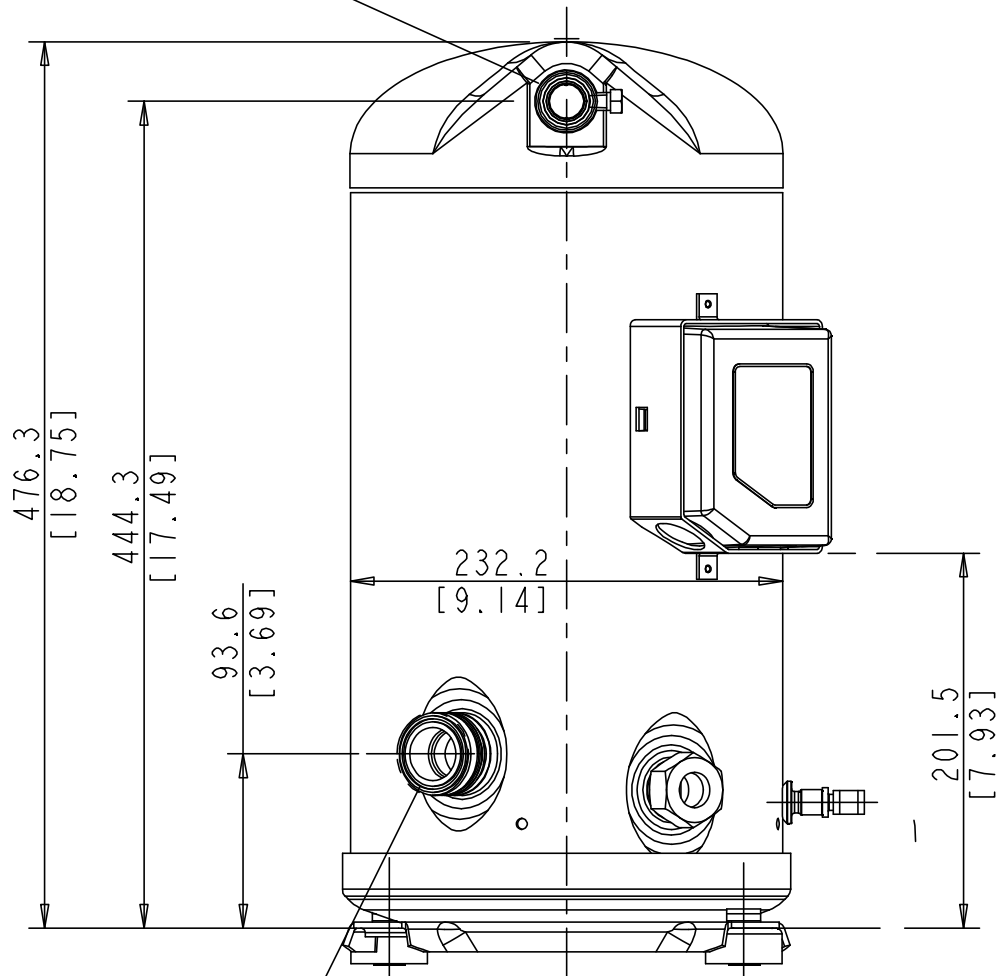


# ZB50, ZB58

[1.25-12] THREAD ROTALOCK SPUD  
DISCHARGE CHECK VALVE  
TORQUE RANGE 27.1-40.6 NEWTON-METERS



[1.75-12] THREAD ROTALOCK SPUD  
SUCTION FITTING TORQUE RANGE  
40.6-54.2 NEWTON-METERS

