

Pro-Set[®]

Torque Wrench Kit #TLTWSM Metric (17, 22, 24, 26, 27, 29mm)



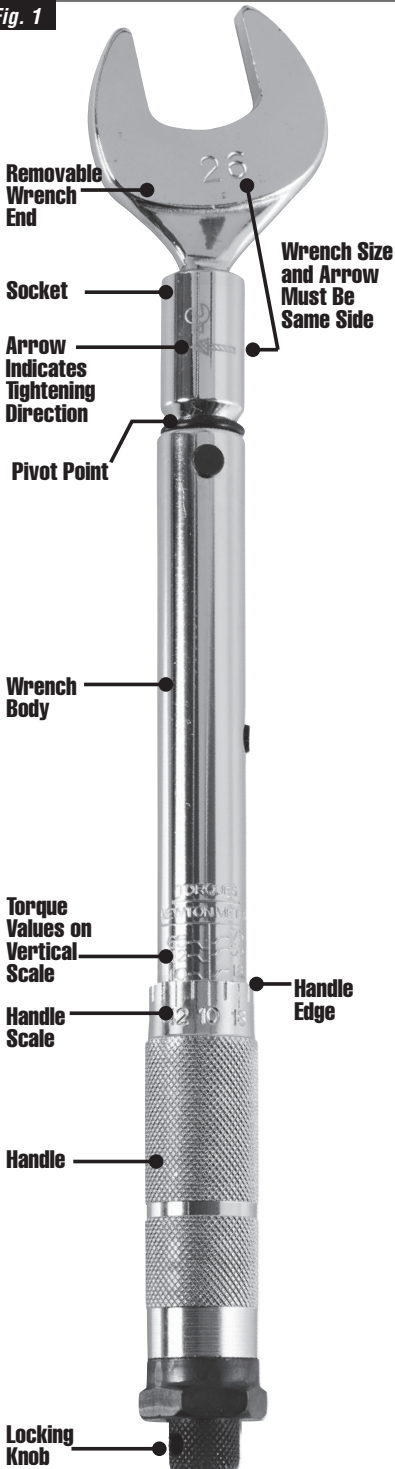
Instructions for Use

Français, Español, Deutsch and latest updates: www.cpsproducts.com

cps[®]

cpsproducts.com

Fig. 1



BEFORE USE

- To retain wrench accuracy, **DO NOT LOOSEN** nuts, bolts, etc. **USE ONLY FOR TIGHTENING.**
- Apply a small amount of oil between handle and wrench body.

Note: If wrench is not used for an extended time, turn handle to lowest torque setting on wrench body. Rotate handle in both directions while making a few “clicks”. This re-lubricates the wrench.

INSTRUCTIONS

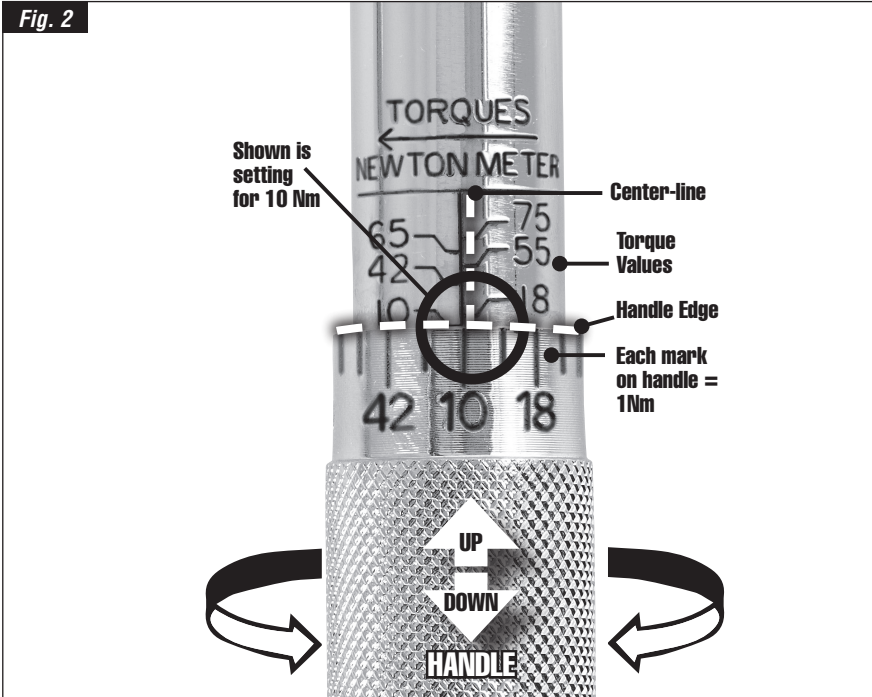
1. **Select Wrench** from case.
2. Insert END into socket. Wrench size and arrow must be same side.

Fig. 1

3. **Loosen Locking Knob** counterclockwise to *unlock* handle.
4. **Determine Proper Torque Setting For Equipment Being Serviced** (use setting specified by equipment manufacturer).
5. Using Newton-Meter chart **Fig. 3**, twist handle and align appropriate handle mark with torque value on vertical scale.
6. For other settings, twist handle to advance by 1 or more detents to desired setting. (Each handle detent = 1 Nm).
7. **Tighten Locking Knob** clockwise to lock in your torque setting.
8. **Tighten Equipment Fitting, Bolt, Nut Until Clicks Are Felt/Heard From Pivot Point** *Note: To prevent tool damage, avoid further pressure on wrench after torque (clicks) achieved.*

Newton-Meter Scale (10-75)

Fig. 2



Example 1: Set Torque Wrench to 14 Nm

- Twist handle until "10" mark aligns with Center-line and 10 Nm torque value.
- Twist handle RIGHT 4 detents (1 detent = 1 Nm) stopping at the "4th" Mark on the Handle (while aligned VERTICALLY with the Center-line).
- Final setting ($10 + 1 + 1 + 1 + 1 = 14$)
- Wrench is now set at 14 Nm.

Torque Value On Vertical Scale	+	Handle Scale Value	=	Final Torque Value
10		0		10
10		+1 detent		11
10		+2 detents		12
10		+3 detents		13
10		+4 detents		14

Fig. 3**Standard Newton/Meter Torque Settings On #TLTWSM**

TORQUE SETTINGS (ON WRENCH BODY)	HANDLE SETTING SCALE	ACCURACY
75 Nm (100 Kg x cm)	0	+/- 4% (All Settings)
65 Nm (100 Kg x cm)	0	
55 Nm (100 Kg x cm)	0	
42 Nm (100 Kg x cm)	42	
18 Nm (100 Kg x cm)	18	
10 Nm (100 Kg x cm)	10	

STORAGE

1. **Loosen Locking Knob.** Turn Knurled Handle to lowest torque setting on Body Scale.
2. **Remove Wrench End** and place all components back in Storage Case.
3. **Store kit in dry location.**

REPLACEMENT PARTS	
TLTWSM	Metric multi-head torque wrench set with handle, heads and case (17, 22, 24, 26, 27, 29 mm)
TLXTWM	Set of metric wrench heads: 17, 22, 24, 26, 27, 29mm jaw sizes
TLXTWMW	Metric torque wrench handle
TLXTWM17	17mm Individual wrench head
TLXTWM22	22mm Individual wrench head
TLXTWM24	24mm Individual wrench head
TLXTWM26	26mm Individual wrench head
TLXTWM27	27mm Individual wrench head
TLXTWM29	29mm Individual wrench head

LOCATIONS**CPS PRODUCTS, INC. U.S.A. (Headquarters)**

1010 East 31st Street,
Hialeah, Florida 33013, USA

Tel: 305-687-4121,
1-800-277-3808

Fax: 305-687-3743

E-mail: info@cpsproducts.com

Website: www.cpsproducts.com

CPS PRODUCTS CANADA LTD.

1324 Blundell Road
Mississauga, ON, L4Y 1M5

Tel: 905.615.8620, Fax: 905.615.9745

E-mail: info@cpsproducts.com

Website: www.cpsproducts.com

CPS PRODUCTS N.V

Krijgsbaan 241, 2070
Zwijndrecht, Belgium

Tel: (323) 281 30 40,

E-mail: info@cpsproducts.be

CPS AUSTRALIA PTY. LTD.

109 Welland Avenue,
Welland, South Australia 5007

Tel: +61 8 8340 7055,

E-mail: sales@cpsaustralia.com.au