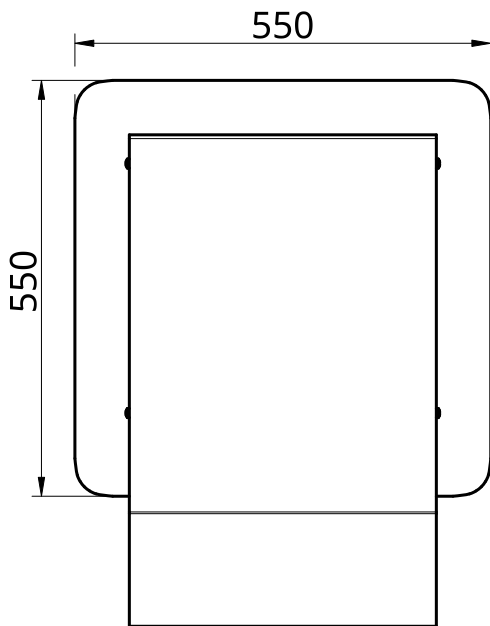


1:16

Item	Quantity	Part number	Description	Material	Mass
1	1	ALX-7175 TOP		Aluminum	3888 g
2	1	ALX-7175 BASE		Aluminum	3690.8 g
3	4	DIN 7985-Z SS	PZ Pan head screw M6x1.00 x 8 Stainless Steel	Stainless Steel	4.4 g



ALIXO

TITLE ALX-7175

DATE 2023-06-21

CUSTOMER

DO NOT SCALE DRAWING

PART NO. ALX-7175

UNLESS OTHERWISE SPECIFIED, DIMENSIONS ARE IN MILLIMETERS
FIRST ANGLE PROJECTION

SIZE A4 DWG NO. REV. A



SCALE 1:10 WEIGHT 7596.5 G SHEET 1 of 1