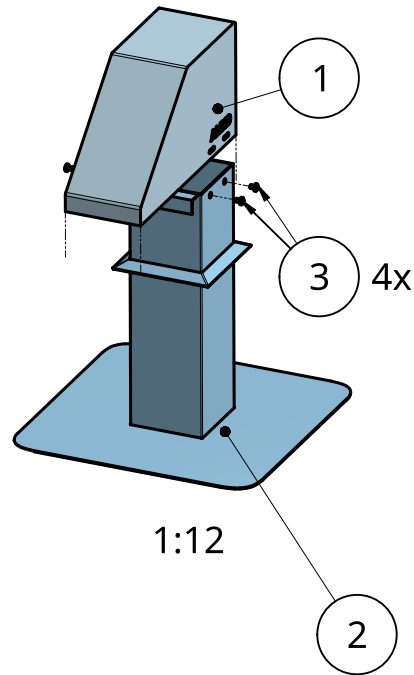
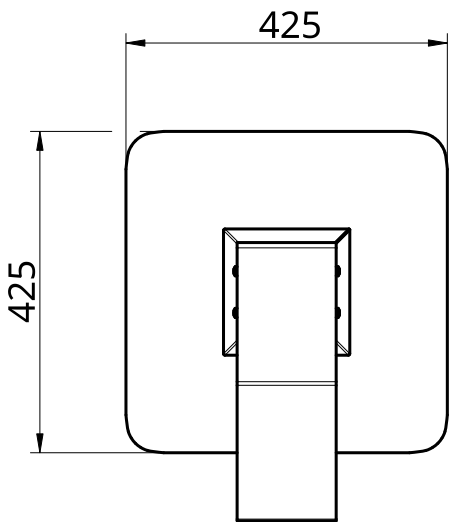


1:12



1:12

Item	Quantity	Part number	Description	Material	Mass
1	1	ALX-7126 TOP		Aluminum	1077.2 g
2	1	ALX-7126 BASE		Aluminum	2121.4 g
3	4	DIN 7985-Z SS	PZ Pan head screw M6x1.00 x 8 Stainless Steel	Stainless Steel	4.4 g

ALIXO

TITLE

ALX-7126
Assembly

DO NOT SCALE DRAWING

PART NO.

ALX-7126

UNLESS OTHERWISE SPECIFIED,
DIMENSIONS ARE IN MILLIMETERS

SIZE

A4

DWG NO.

REV. A

FIRST ANGLE PROJECTION



SCALE 1:10

WEIGHT

3216.3 G

SHEET

1 of 1